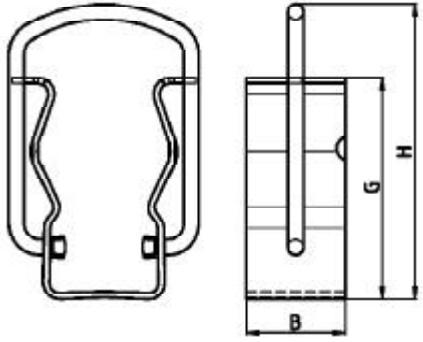


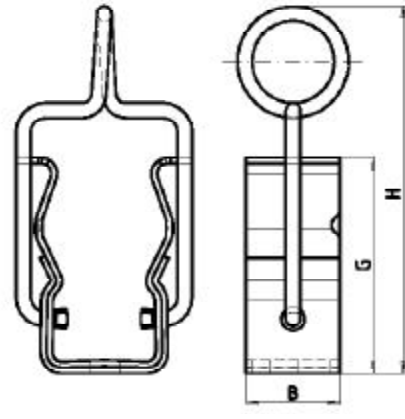


45mm DIN fuse clips

200A - p/n 3100302.20



400A - p/n 3400101.20



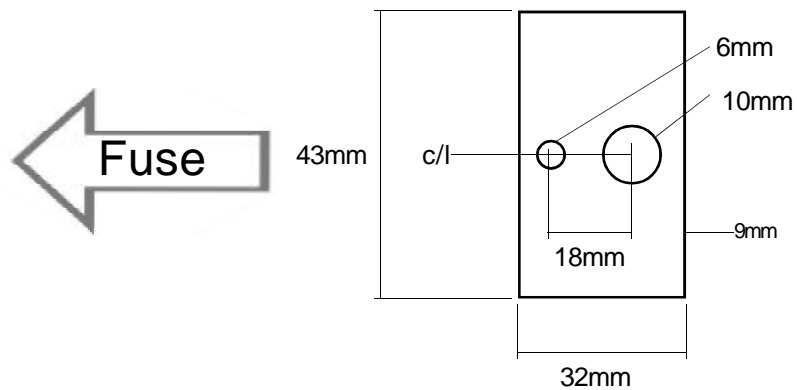
Part No.
3100302.20

B	1.26" (32 mm)
G	2.80" (71.5 mm)
H	3.74" (95 mm)

Part No.
34 001 01.20

B	1.26" (32 mm)
G	2.90" (73.5 mm)
H	4.92" (125 mm)

Bolt pattern for both



599 NORRIS CRT. KINGSTON, ONTARIO
CANADA. K7P 2R9
TEL. (613) 384-4144 FAX (613)384-0167

TYPE **Siba 45mm clips**

DATE **April 17/09**

DWG.NO.
FC45/HD

DRAWN BY:
mb