

PSEN op Cable M12 4p sh

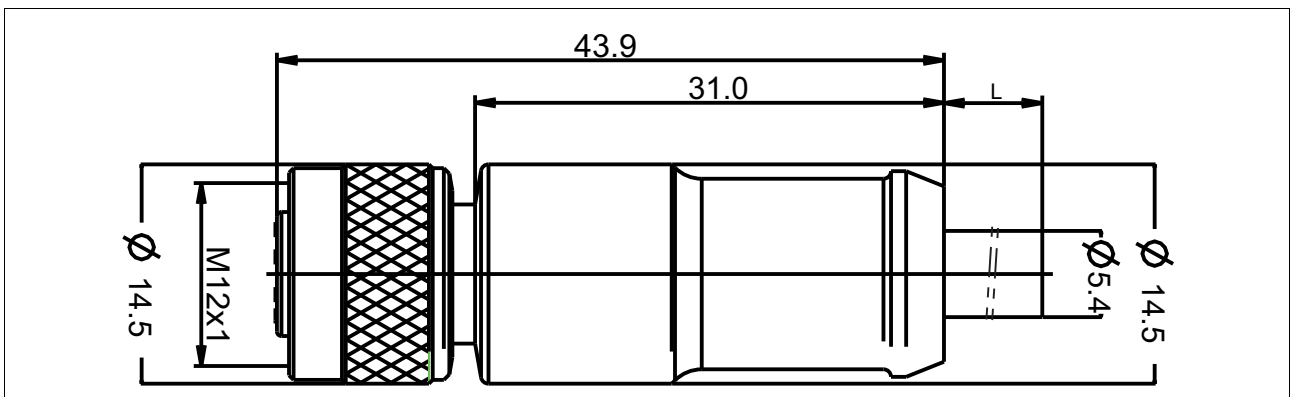
Connector pin assignment

Colour coding	
1	brown
2	white
3	blue
4	black
Shield	Shield sleeve

Plan view plug-in connector X1

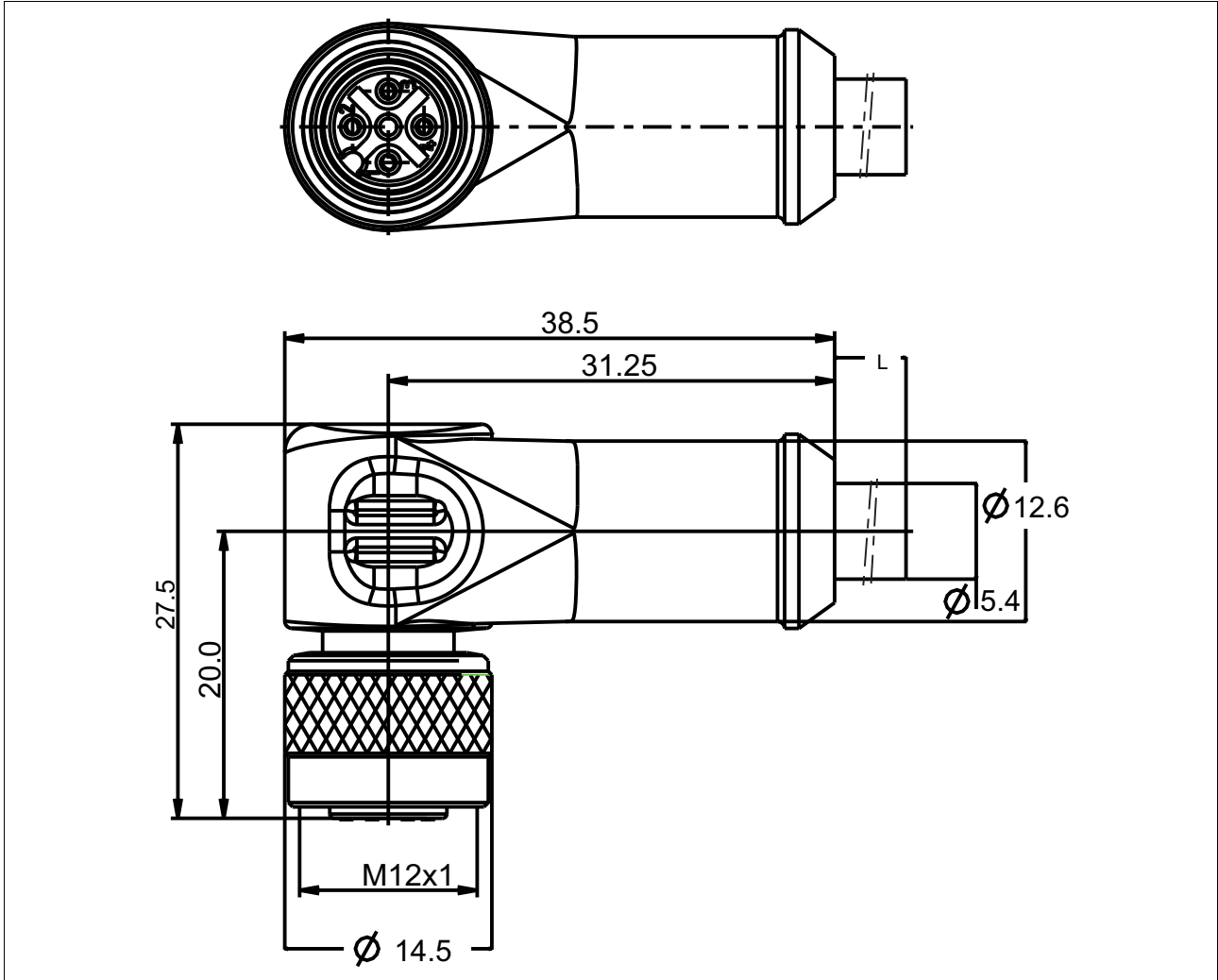
Dimensions

► M12 female connector, straight:



PSEN op Cable M12 4p sh

► M12 female connector, angled:



PSEN op Cable M12 4p sh

Technical details	
Electrical data	
Rated voltage UB	250 V
Conductor resistance	57 Ohm/km
Insulation resistance	100 MOhm/km
Test voltage	3,000 V
Specific cable capacitance	65.6pF/m
Specific volume resistance	>= 7E+15 Ohm*km
Rated current	4.0 A
Environmental data	
Ambient temperature	-25 - 80 °C
Pollution degree	3
Mechanical data	
Plug-in connector X1	4-pin M12 female connector
in accordance with the standard	EN 61076-2-101
Design of plug-in connector X1	Straight No. 630303, 630304, 630305, 630309, 630366 Angled No. 630306, 630307, 630308, 630319, 630367
Protection type of X1 when inserted	IP67
Housing	IP67
Housing material X1	PUR
Material of contact surface	Au
Material of socket	CuSn
Conductor material	Cu
Insulating cover for conductor	PP (9Y)
Mating cycles X1	100
Cable type	Li9YC11Y
Cable runs	10.00 m No. 630305, 630308 3.00 m No. 630303, 630306 30.00 m No. 630309, 630319 5.00 m No. 630304, 630307 50.00 m No. 630366, 630367
Colour of external cable insulation	Yellow, similar to RAL1003
Min. bending radius (for laying)	5 x Ø
Min. bending radius (for constant movement)	10 x Ø
Cable insulation	PUR, TPU 11YH1
Suitable for drag chains	no
Cable diameter	5.40 mm
Cable cross section	0.34 mm²
Cable cross section AWG	22
Wire colour	brown, white, blue, black
Shielding	yes
Shield type	Wire mesh
Wire layer separation	yes
No. of wires	4
Cable approval	UL AWM-Style 20233, UL/CSA
Approval for plug connector X1	UL94 V-0
Weight	1,940 g No. 630309, 630319 168 g No. 630303 170 g No. 630306 2,130 g No. 630366 2,135 g No. 630367 264 g No. 630304 271 g No. 630307 508 g No. 630305 513 g No. 630308

No. stands for order number.

PSEN op Cable M12 4p sh

Order reference

Product type	Features	Connector X1	Connector X2	Order no.
PSEN op cable axial M12 4-p. shield. 3m	3 m	M12 female connector, straight		630 303
PSEN op cable axial M12 4-p. shield. 5m	5 m	M12 female connector, straight		630 304
PSEN op cable axial M12 4-p. shield. 10m	10 m	M12 female connector, straight		630 305
PSEN op cable angle M12 4-p. shield. 3m	3 m	M12 female connector, angled		630 306
PSEN op cable angle M12 4-p. shield. 5m	5 m	M12 female connector, angled		630 307
PSEN op cable angle M12 4-p. shield. 10m	10 m	M12 female connector, angled		630 308
PSEN op cable axial M12 4-p. shield. 30m	30 m	M12 female connector, straight		630 309
PSEN op cable angle M12 4-p. shield. 30m	30 m	M12 female connector, angled		630 319
PSEN op cable axial M12 4-p. shield. 50m	50 m	M12 female connector, straight		630 366
PSEN op cable angle M12 4-p. shield. 50m	50 m	M12 female connector, angled		630 367