

PSEN op Cable M12 8p sh

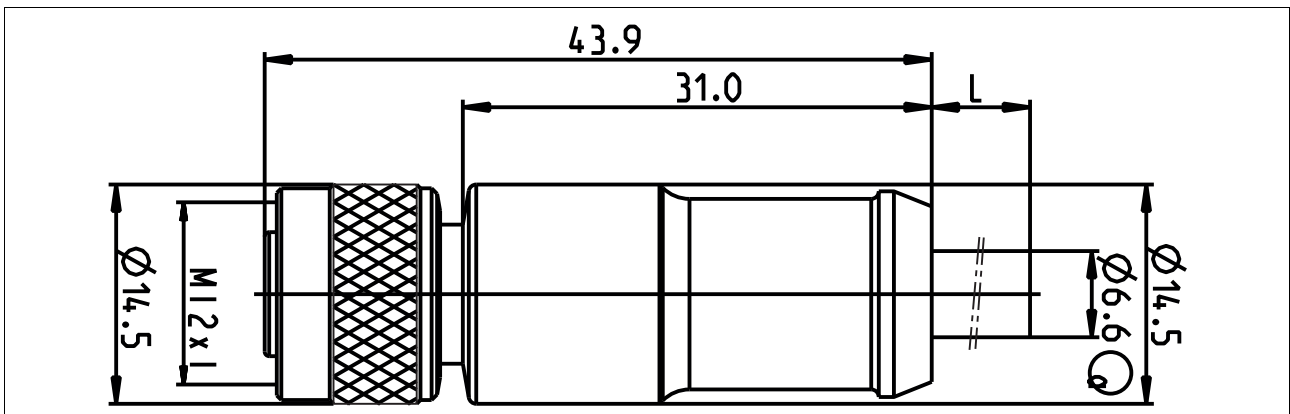
Connector pin assignment

Colour coding	
1	white
2	brown
3	green
4	yellow
5	grey
6	pink
7	blue
8	red
Shield	Shield sleeve

Plan view plug-in connector X1

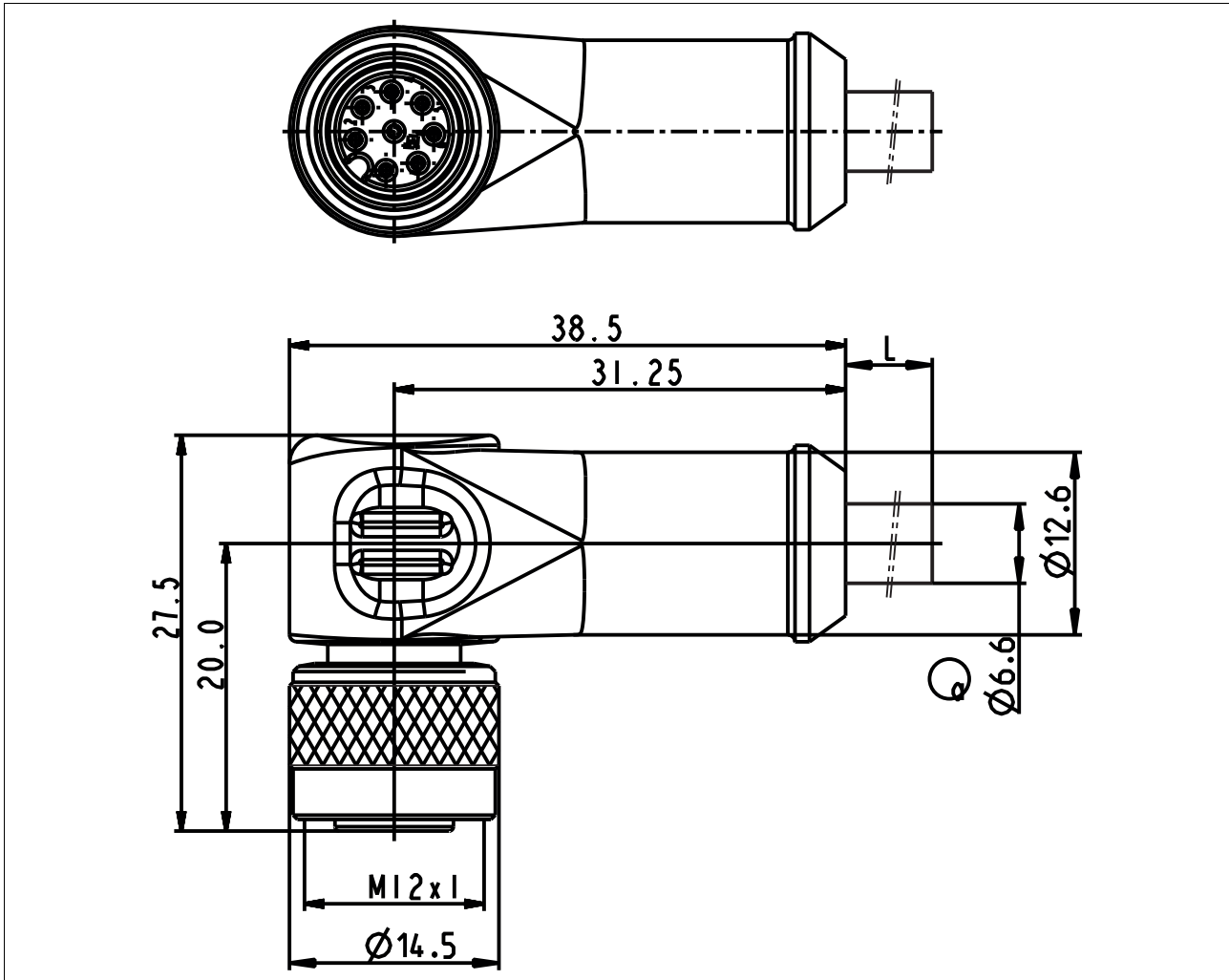
Dimensions

► M12 female connector, straight:



PSEN op Cable M12 8p sh

► **M12 female connector, angled:**



Technical details

Electrical data

Rated voltage UB	30 V
Conductor resistance	82 Ohm/km
Insulation resistance	100 MOhm/km
Test voltage	3,000 V
Specific cable capacitance	59.8pF/m
Specific volume resistance	$\geq 7E+15$ Ohm*cm
Rated current	2.0 A

Environmental data

Ambient temperature	-25 - 80 °C
Pollution degree	3

Mechanical data

Plug-in connector X1	8-pin M12 female connector
in accordance with the standard	EN 61076-2-101
Design of plug-in connector X1	Straight No. 630313, 630314, 630315, 630328, 630368 Angled No. 630316, 630317, 630318, 630329, 630369
Protection type of X1 when inserted	IP67
Housing	IP67

PSEN op Cable M12 8p sh

Mechanical data	
Housing material X1	PUR
Material of contact surface	Au
Material of socket	CuSn
Conductor material	Cu
Insulating cover for conductor	PP (9Y)
Mating cycles X1	100
Cable type	Li9YC11Y
Cable runs	10.00 m No. 630315, 630318 3.00 m No. 630313, 630316 30.00 m No. 630328, 630329 5.00 m No. 630314, 630317 50.00 m No. 630368, 630369
Colour of external cable insulation	Yellow, similar to RAL1003
Min. bending radius (for laying)	5 x Ø
Min. bending radius (for constant movement)	10 x Ø
Cable insulation	PUR, TPU / TPE-U
Suitable for drag chains	no
Cable diameter	6.60 mm
Cable cross section	0.25 mm²
Cable cross section AWG	24
Wire colour	White, brown, green, yellow, grey, pink, blue, red
Stranding	8 cores around filler
Shielding	yes
Shield type	Wire mesh
Wire layer separation	yes
No. of wires	8
Cable approval	UL AWM-Style 20233, UL/CSA
Approval for plug connector X1	UL94 V-0
Weight	2,021 g No. 630329 2,050 g No. 630328 2,960 g No. 630369 2,970 g No. 630368 234 g No. 630313, 630316 364 g No. 630314 368 g No. 630317 622 g No. 630315 706 g No. 630318

No. stands for order number.

Order reference				
Product type	Features	Connector X1	Connector X2	Order no.
PSEN op cable axial M12 8-p. shield. 3m	3 m	M12 female connector, straight		630 313
PSEN op cable axial M12 8-p. shield. 5m	5 m	M12 female connector, straight		630 314
PSEN op cable axial M12 8-p. shield. 10m	10 m	M12 female connector, straight		630 315
PSEN op cable angle M12 8-p. shield. 3m	3 m	M12 female connector, angled		630 316
PSEN op cable angle M12 8-p. shield. 5m	5 m	M12 female connector, angled		630 317
PSEN op cable angle M12 8-p. shield. 10m	10 m	M12 female connector, angled		630 318
PSEN op cable axial M12 8-p. shield. 30m	30 m	M12 female connector, straight		630 328

PSEN op Cable M12 8p sh

Product type	Features	Connector X1	Connector X2	Order no.
PSEN op cable angle M12 8-p. shield. 30m	30 m	M12 female connector, angled		630 329
PSEN op cable axial M12 8-p. shield. 50m	50 m	M12 female connector, straight		630 368
PSEN op cable angle M12 8-p. shield. 50m	50 m	M12 female connector, angled		630 369