

Via monte Nero, 40/B – 21049 TRADATE (VA) ITALY
Tel: +39 (0)331841070 Fax:+39 (0)331841950 - e-mail:datexel@datexel.it - www.datexel.it

FEATURES

- Configurable input for RTD, TC, mV, V, mA, Resistance and Potentiometer
- Galvanic isolation at 2000 Vac
- Configurable output in current or voltage
- Configurable by Personal Computer
- High accuracy
- On-field reconfigurable
- EMC compliant – CE mark
- Suitable for DIN rail mounting in compliance with EN-50022 and EN50035



GENERAL DESCRIPTION

The converter DAT 4135 is able to execute many functions such as : measure and linearisation of the temperature characteristic of RTDs sensors, conversion of a linear resistance variation, conversion of a standard active current signal, conversion of a voltage signal even coming from a potentiometer connected on its input. Moreover the DAT 4135 is able to measure and linearise the standard thermocouples with internal cold junction compensation. In function of programming, the measured values are converted in a current or voltage signal. The device guarantees high accuracy and performances stability both in time and in temperature.

The programming of the DAT 4135 is made by a Personal Computer using the software PROSOFT, developed by DATEXEL, that runs under the operative system "Windows™". By use of PROSOFT, it is possible to configure the converter to interface it with the most used sensors.

In case of sensors with a no-standard output characteristic, it is possible to execute, via software, a "Custom" linearisation (per step) to obtain an output linearised signal.

For Resistance and RTDs sensors it is possible to program the cable compensation with 3 or 4 wires; for Thermocouples it is possible to program the Cold Junction Compensation (CJC) as internal or external.

It is possible to set the minimum and maximum values of input and output ranges in any point of the scale, keeping the minimum span shown in the table below. Moreover it is available the option of alarm for signal interruption (burn-out) that allows to set the output value as high or low out of scale.

The terminals of the current signal on input side must be only connected to active current loop.

The 2000 Vac isolation between input and power supply/output eliminates the effects of all ground loops eventually existing and allows the use of the converter in heavy environmental conditions found in industrial applications.

It is housed in a plastic enclosure of 12.5 mm thickness suitable for DIN rail mounting in compliance with EN-50022 and EN-50035 standards.

USER INSTRUCTIONS

The converter DAT 4135 must be powered by a direct voltage between 18 to 30 V applied to the terminals R(+Vdc) and Q (GND2) as shown in the section "Power supply connections".

The output signal, in voltage or current, is provided to the terminals N(OUT) and M (GND2), as shown in the section "Output connections".

The input connections must be made as shown in the section "Input connections".

To configure, calibrate and install the converter, refer to sections "DAT4135: configuration and calibration" and "Installation Instructions".

TECHNICAL SPECIFICATIONS (Typical at 25 °C and in nominal conditions)

Input type	Min	Max	Min. span	Input calibration (1)	POWER SUPPLY
TC(*) CJC int./ext.				RTD > of ±0.1% f.s. or ±0.2°C	Supply voltage 18 .. 30 Vdc
J	-200°C	1200°C	100 °C	Low res. > of ±0.1% f.s. or ±0.15 Ω	Reverse polarity protection 60 Vdc max
K	-200°C	1370°C	100 °C	High res. > of ±0.2% f.s. or ±1 Ω	Current consumption
S	-50°C	1760°C	400 °C	mV, TC > of ±0.1% f.s. or ±18 uV	Current output 40 mA max.
R	-50°C	1760°C	400 °C	Volt > of ±0.1% f.s. or ± 2 mV	Voltage output 20 mA max.
B	400°C	1820°C	400 °C	mA > of ±0.1% f.s. or ± 6 uA	Output Load Resistance (Rload)
E	-200°C	1000°C	100 °C	Output calibration	Current output ≤ 650 Ω
T	-200°C	400°C	100 °C	Current ± 7 uA	Voltage output ≥ 3.5 KΩ
N	-200°C	1300°C	100 °C	Voltage ± 5 mV	Limitation current about 25 mA
RTD(*) 2,3,4 wires				Input impedance	ISOLATION
Pt100	-200°C	850°C	50°C	TC, mV ≥= 10 MΩ	Input – Power supply/Out 2000 Vac, 50 Hz, 1 min.
Pt1000	-200°C	200°C	50°C	Volt ≥= 1 MΩ	ENVIRONMENTAL CONDITIONS
Ni100	-60°C	180°C	50°C	Current ~ 50 Ω	Operative Temperature -20°C .. +70°C
Ni1000	-60°C	150°C	50°C	Linearity (1)	Storage Temperature -40°C.. +85°C
Voltage				TC ± 0.2 % f.s.	Humidity (not condensed) 0 .. 90 %
mV	-400 mV	+400 mV	2 mV	RTD ± 0.1 % f.s.	Maximum Altitude 2000 m
mV	-100 mV	+700 mV	2 mV	Line resistance influence	Installation Indoor
Volt	- 10 V	+10 V	500 mV	TC, mV ≤=0.8 uV/Ohm	Category of installation II
Potentiometer				RTD 3 wires 0.05%/Ω (50 Ω balanced max.)	Pollution Degree 2
(Nominal value)	0 Ω	200 Ω	10%	RTD 4 wires 0.005%/Ω (100 Ω balanced max.)	MECHANICAL SPECIFICATIONS
	200 Ω	500 Ω	10%	RTD excitation current	Material Self-extinguish plastic
	0.5 KΩ	50 KΩ	10%	Typical 0.350 mA	IP Code IP20
RES. 2,3,4 wires				CJC comp. ± 0.5°C	Wiring wires with diameter 0.8+2.1 mm ² /AWG 14-18
Low	0 Ω	300 Ω	10 Ω	Thermal drift (1)	Tightening Torque 0.8 N m
High	0 Ω	2000 Ω	200 Ω	Full scale ± 0.01% / °C	Mounting in compliance with DIN rail standard EN-50022 and EN-50035
Current				CJC ± 0.01% / °C	Weight about 90 g.
mA	-10 mA	+24 mA	2 mA	Burn-out values	EMC (for industrial environments)
Output type	Min	Max	Min. span	Max. values about 23 mA or 10.8 Vdc	Immunity EN 61000-6-2
Direct current	0 mA	20 mA	4 mA	Min. values about 0 mA or 0 Vdc	Emission EN 61000-6-4
Reverse current	20 mA	0 mA	4 mA	Response time (10÷ 90%)	
Direct voltage	0 V	10 V	1 V	about 400 ms	
Reverse voltage	10 V	0 V	1 V		

(1) referred to input Span (difference between max. and min. values)
(*) For temperature sensors it is possible to set the input range also in °F; to made the conversion use the formula: °F = (°C*9/5)+32)

DAT 4135: CONFIGURATION AND CALIBRATION

Warning: during these operations the device must always be powered.

- CONFIGURATION

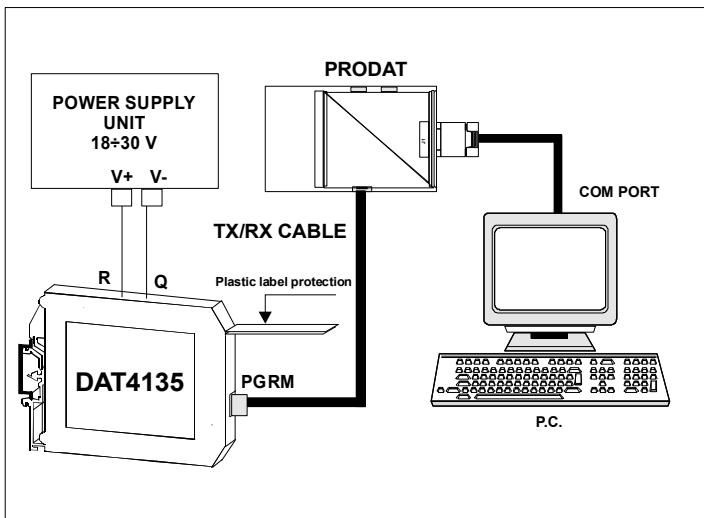
- 1) Power-on the DAT4135 by a direct voltage between 18 ± 30 V .
- 2) Open the plastic label protection on front side of DAT 4135.
- 3) Connect the interface PRODAT to the Personal Computer and to device (connector PGRM - see section " DAT4135: PROGRAMMING").
- 4) Run the software PROSOFT.
- 5) Set the parameters of configuration .
- 6) Program the device.

- CALIBRATION CONTROL

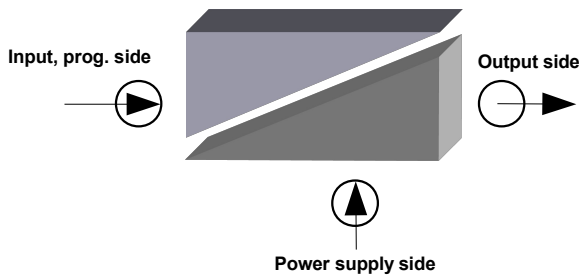
With software PROSOFT running:

- 1) Connect on the input a calibrator setted with minimum and maximum values referred to the electric signal or to the temperature sensor to measure.
- 2) Set the calibrator at the minimum value.
- 3) Verify that the DAT 4135 provides on output the minimum setted value.
- 4) Set the calibrator at the maximum value.
- 5) Verify that the DAT 4135 provides on output the maximum setted value.
- 6) In case of regulation of value obtained in the step 3 and 5, use the ZERO and SPAN regulators of software PROSOFT. The variation introduced from these regulators must be calculated as percentage of the input range .
- 7) Program the device with the new parameters .

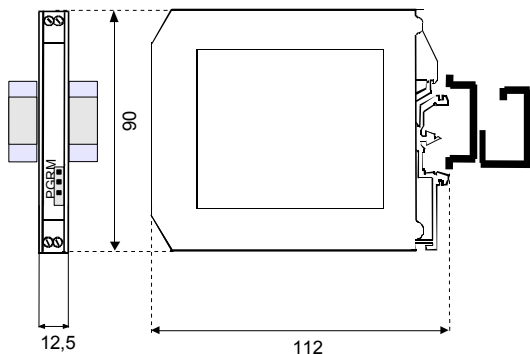
DAT 4135: PROGRAMMING



ISOLATION STRUCTURE



DIMENSIONS (mm) & CONNECTOR PGRM



The symbol reported on the product indicates that the product itself must not be considered as a domestic waste. It must be brought to the authorized recycle plant for the recycling of electrical and electronic waste. For more information contact the proper office in the user's city , the service for the waste treatment or the supplier from which the product has been purchased.

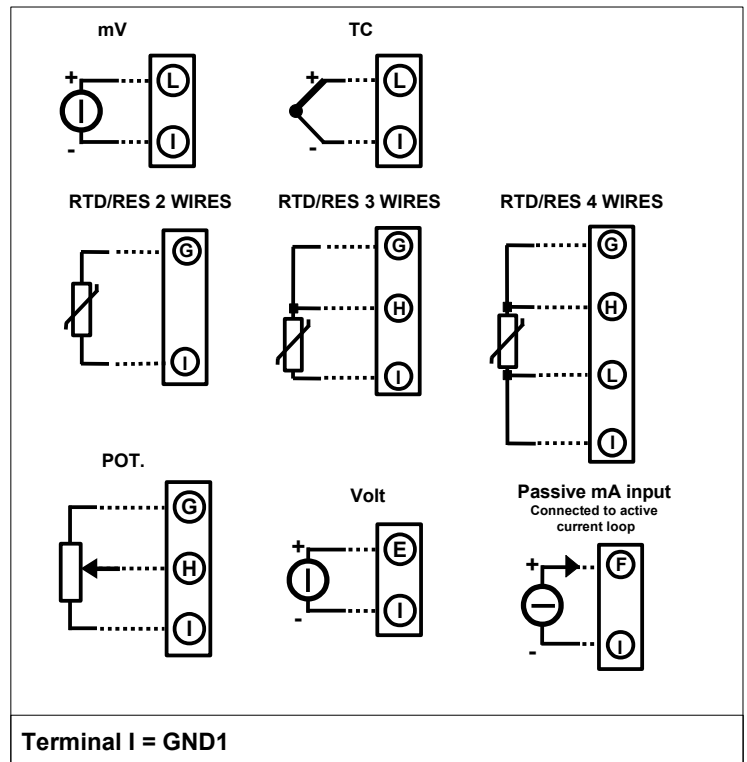
INSTALLATION INSTRUCTIONS

The device DAT 4135 is suitable for DIN rail mounting.

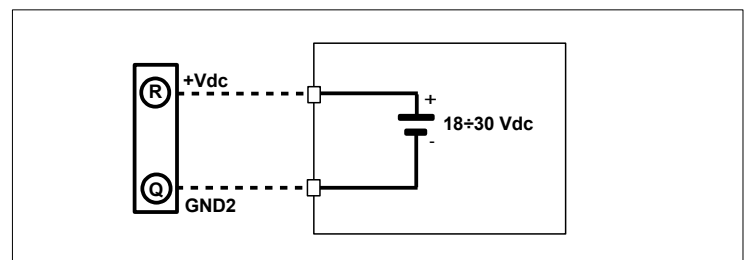
It is necessary to install the device in a place without vibrations; avoid to routing conductors near power signal cables .

DAT4135: CONNECTIONS

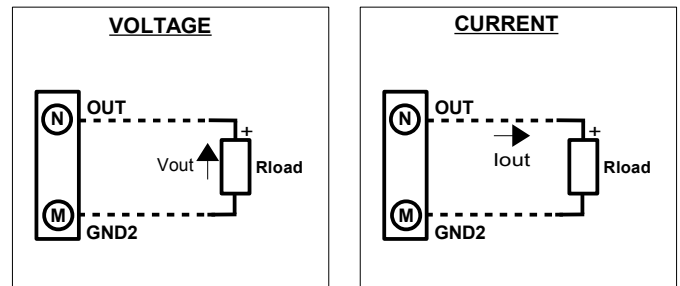
INPUT CONNECTIONS



POWER SUPPLY CONNECTIONS



OUTPUT CONNECTIONS



Note: terminal P = GND2; terminal O = Not connected (NC)

HOW TO ORDER
 The DAT4135 is provided as requested on the Customer's order. Refer to the section "Technical specification" to determine input and output ranges. In case of the configuration is not specified, the parameters must be set by the user.

ORDER CODE EXAMPLE:

DAT 4135 / Pt100 / 3 wires / 0 ÷ 200 °C / S.L. / 4 ÷ 20 mA / Burn-out up

Input type	High or low Out of scale
Sensor options : RTD/RES:2,3,4 wires TC: CJC int. or ext.	Output range
Input range	Linearisation options: S.L.: standard linearisation. N.L.: no linearisation. C.L.: linearisation by step (Custom): specify input curve