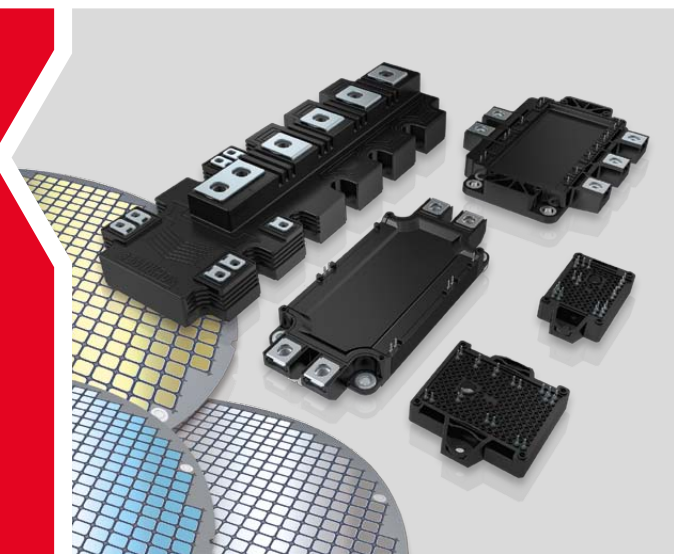


Our Products
for Your Reliable
Supply Chain



Catalogue
2016/2017



Innovation is our Passion

Pushing the boundaries of
packaging technologies.

Standard Packages are our Foundation

Meeting your needs
is our mission.

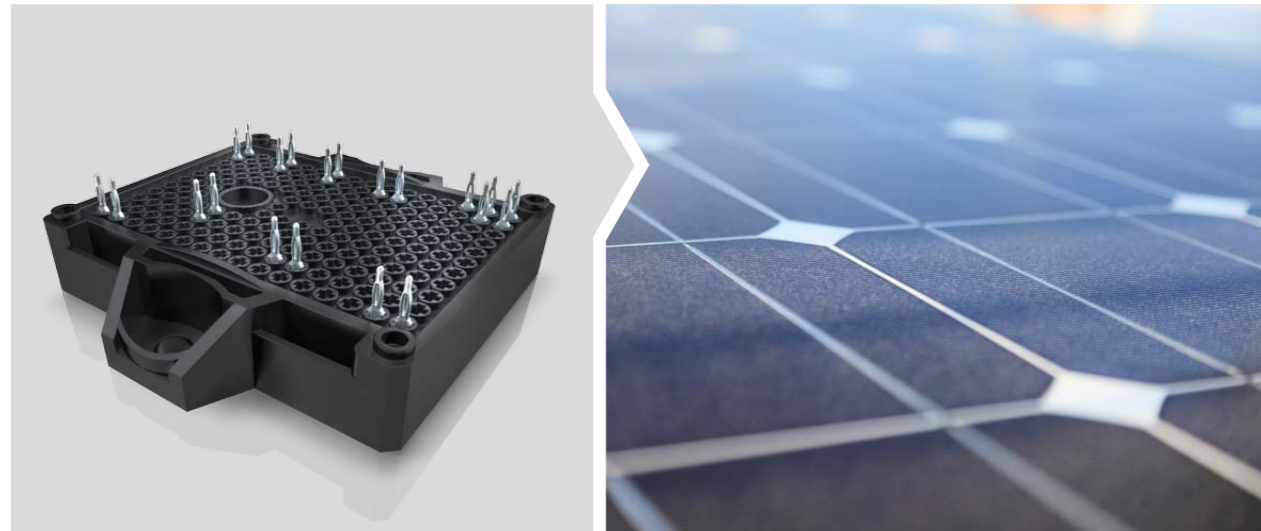


More than 60 years of experience in the field of power electronics, a comprehensive portfolio of chips, modules and inverter systems, a global network of production plants and sales offices as well as our highly qualified staff – these are our success factors. SEMIKRON's power electronics components and systems primarily address the medium output range (approx. 2kW up to 10MW).

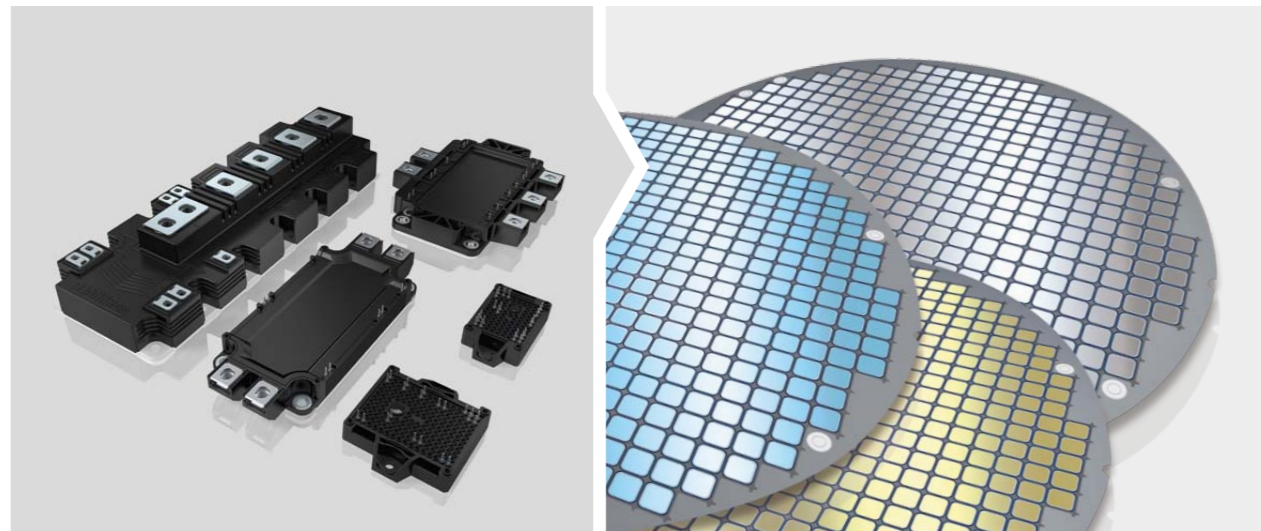
Our products are at the heart of modern energy efficient motor drives and industrial automation systems. Further application areas include power supplies, renewable energies (wind and solar power) and utility vehicles. SEMIKRON's innovative power electronic products enable our customers to develop smaller, more energy efficient power electronic systems. These systems in turn reduce the global energy demand.

Highlights

SEMITOP® E1/E2



2nd Source



SEMITOP® E1/E2



The alternative to consolidated standard industrial packages for customers' supply chain safety
 SEMITOP 2nd generation fulfils the SEMIKRON target to offer a safety supply chain to the customers. The new packages represent the SEMITOP platform's natural evolution at the same high performance levels, set to offer the best footprint, a flexible architecture and high performing solutions at optimised system cost. Full compatibility with the existing standard industrial packages is ensured: modules with 12mm height, without baseplate, two lateral mounting screws coupled with a solder-free pin grid philosophy. The latest Si and SiC chip technologies can be integrated so to offer a competitive platform. Thus able to address the power modules demanding environment where high performance, innovation and differentiation are the key winning factors. Thanks to a comprehensive portfolio with a large variety of configurations, SEMITOP E1 and E2 can address different markets like UPS, solar, motor drives, power supplies and the new emerging EV battery charger market.

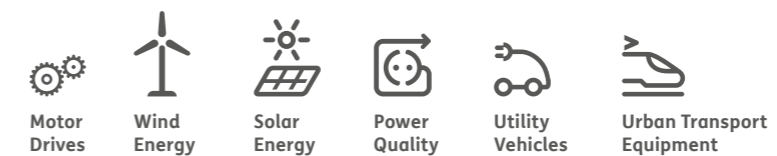


2nd Source



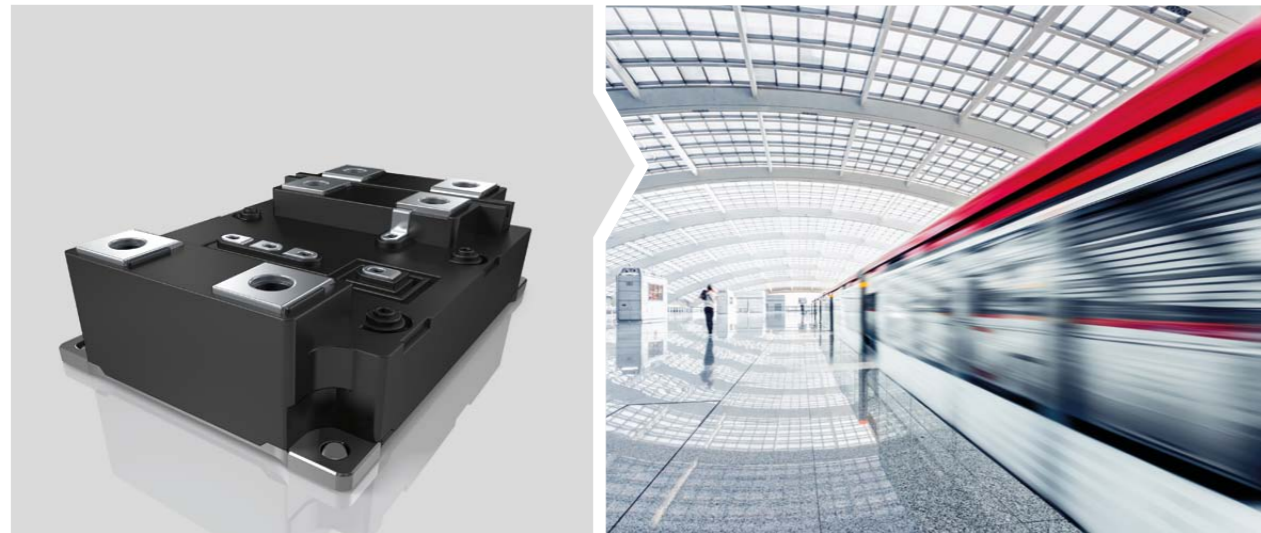
Supply chain safety, exceeding the standard
 Ensuring the highest supply chain safety to the customer is one of the main targets for SEMIKRON. The development and release of industry standard packages as well as the introduction of new IGBT chip sources reflect that strategy. Beside the Infineon and Fuji chips also Vishay, ABB and Renesas IGBT chips are available in 650V, 1200V and 1700V.

Thanks to thermal and switching performance optimisations in the standard packages and the integration of additional functionality such as AC current measurement shunts in the modules SEMIKRON is even exceeding the industry standard.



Highlights

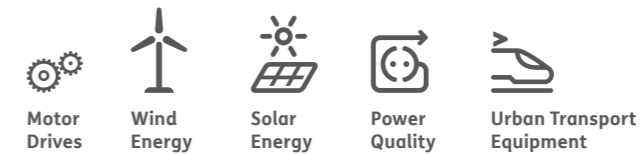
SEMITRANS® 20



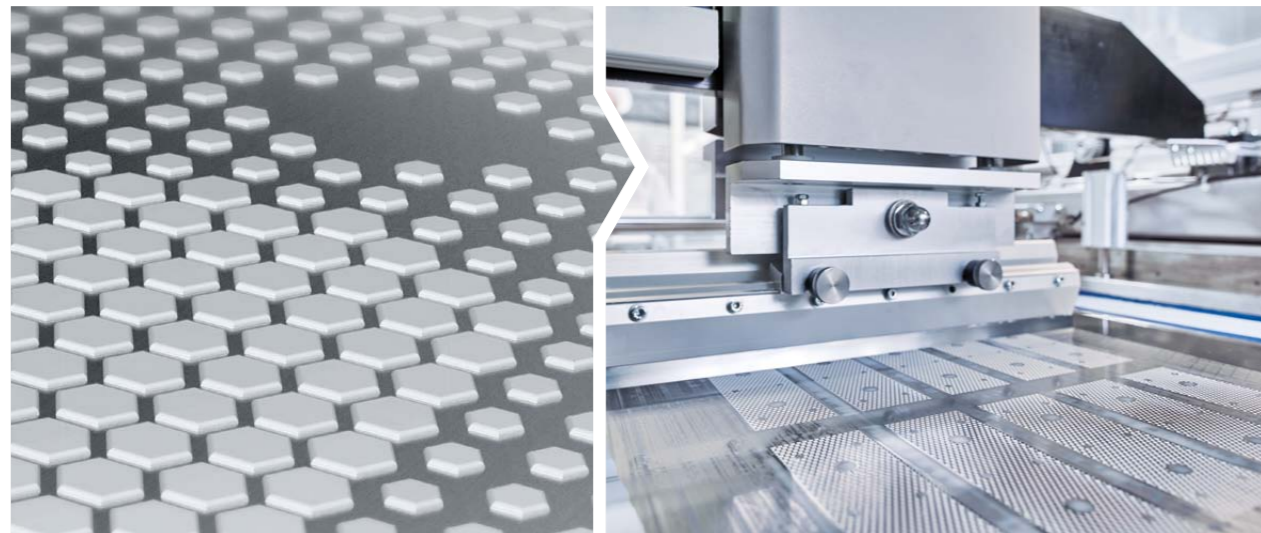
SEMITRANS® 20



New standardised medium voltage package – the SEMITRANS20 overcomes the limits of conventional medium voltage module concepts and provides a new design approach for inverters in applications such as transportation, industrial drives and grid infrastructure. Optimised for the medium voltage market with the latest 3.3kV IGBTs, the SEMITRANS20 is designed as a half bridge configuration featuring a build-in temperature sensor and opposite DC and AC power terminals. Compared to conventional modules, the stray inductance is reduced by up to 75%, thus providing higher operational safety and easy paralleling. The new SEMITRANS20 allows a higher degree of scalability and flexibility in medium voltage inverter design. The standardised package meets the increasing demands for lower cost, higher efficiency and durability for power electronics in industry, transportation and infrastructure.



High Performance Thermal Paste



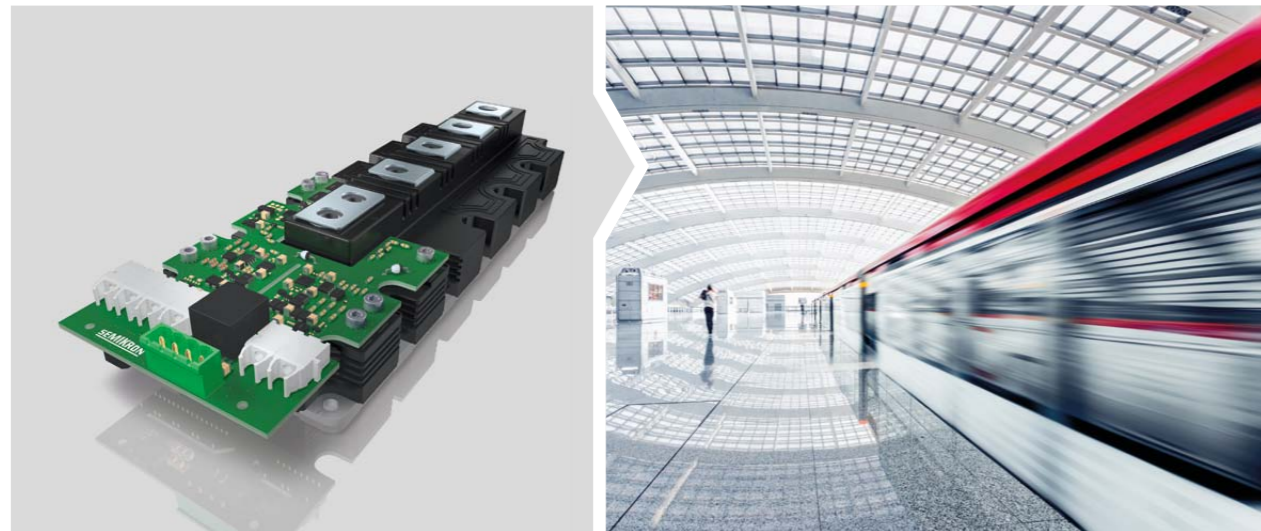
High Performance Thermal Paste



Outstanding thermal performance – Beside a standard silicone based and a silicon free thermal grease, a phase change material and the new high performance thermal paste with an improved thermal performance are available. SEMIKRON formulated a clear strategy that phase change materials will be applied on modules with baseplate only and thermal greases on modules without a baseplate. The new high performance thermal paste is the SEMIKRON solution to boost the performance for modules without baseplate. A reduction of the thermal resistance by up to 50% is possible which goes along with a module output power increase by up to 25% or a lifetime enhancement by several decades.

Highlights

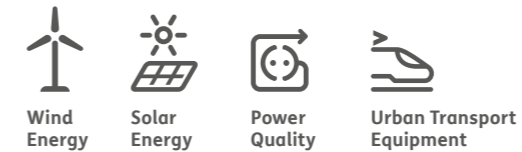
SKYPER® Prime O



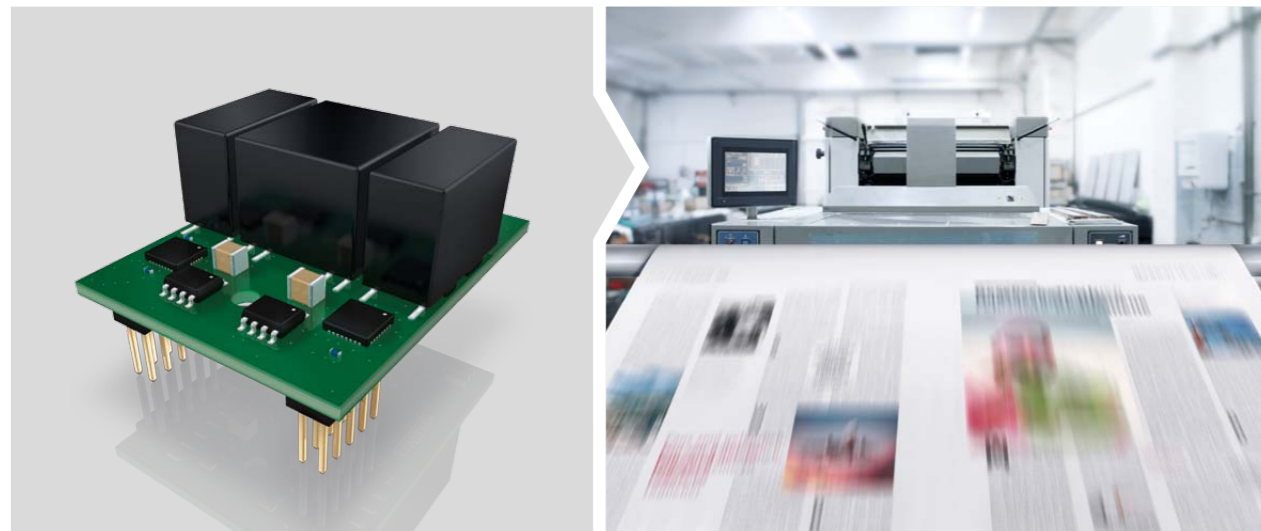
SKYPER® Prime O



Regenerative converters are driven by two main market requirements. Increasing the output power and reduction of cost. SEMITRANS10 and SKYPER Prime O is a fully qualified Plug & Play bundle with optimised SOA characteristics. This saves costly qualification and redesign loops and at the same time offers significant performance advantages in various applications. SKYPER Prime O offers galvanically insulated, highly accurate DC-link and temperature signals as a PWM signal to the controller. So very compact high power inverters can be built without costly sense circuits, cabling effort or power supplies. In addition, second source requirements are covered even on the driver and module side. Electrical and optical interfaces are available.



SKYPER® 12



SKYPER® 12

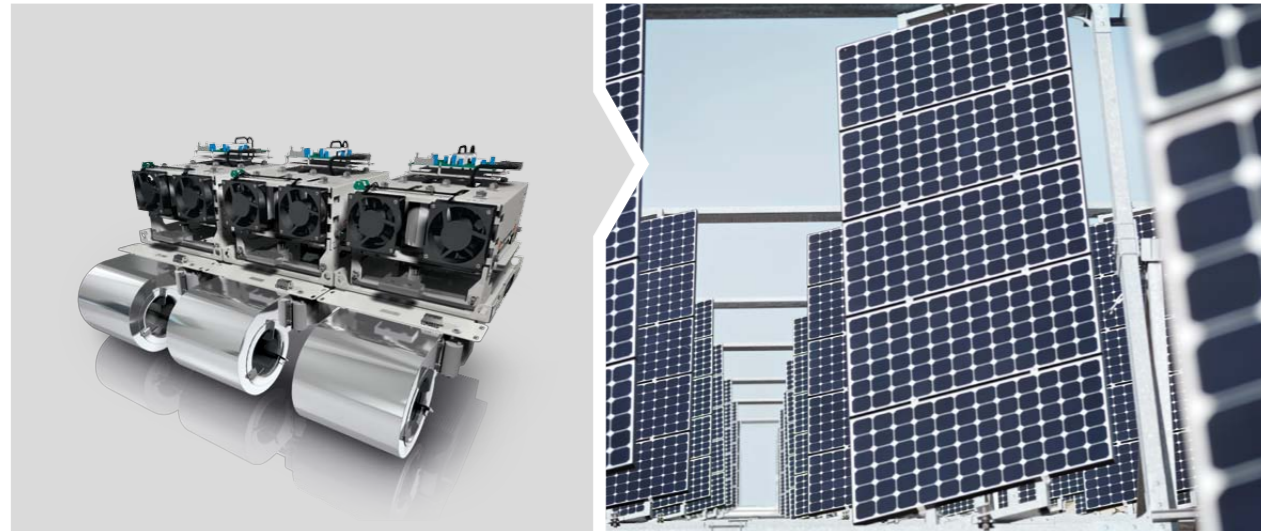


New solutions in drives focus on improving the power density and by that reducing size and cost. SKYPER12 is an IGBT driver core, smaller than a matchbox but with a 20A output stage. Thanks to a complete ground layer, adjustable input filter and optimised transformers with low coupling capacitance, the driver core can work properly in very compact designs with a high level of electromagnetic compatibility. The new ASIC chipset offers safe short circuit handling with soft switch off and fast mode detection. Thanks to integration, an MTBF rate of up to eight million hours at full load can be realised. With that feature set the SKYPER12 IGBT driver core offers the optimised platform for IGBT modules in the range from 80A - 300A. Reference circuits for SEMiX5, MiniSKiiP Dual and SEMiX3 Press-Fit support customers for efficient driver integration.



Highlights

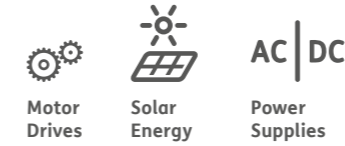
SEMIKUBE®



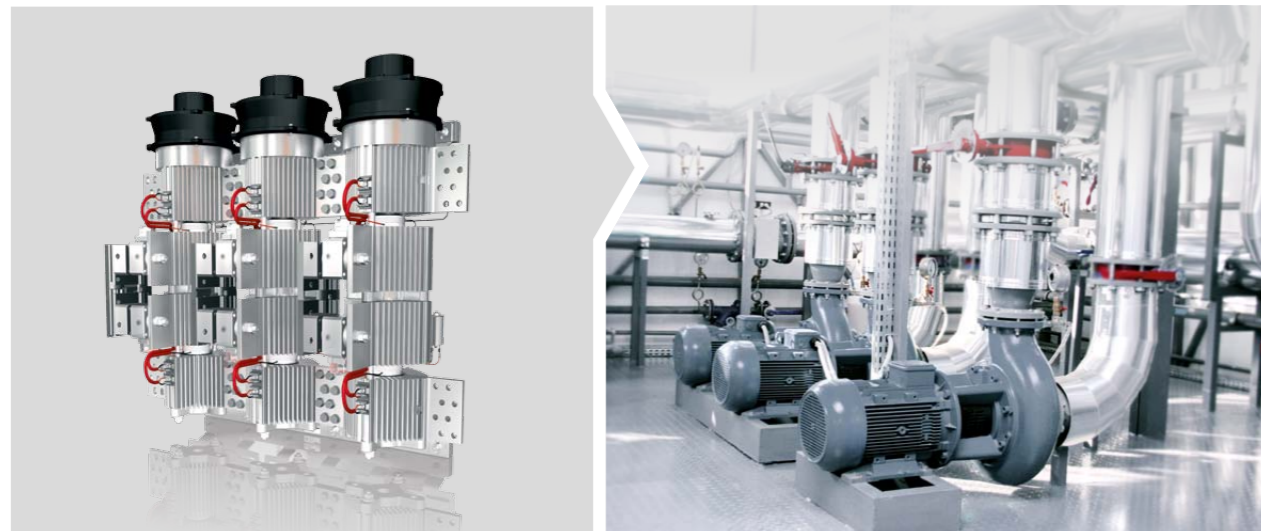
SEMIKUBE®

2-level but 1500V DC with intelligent switching

Following the solar trend to increase DC voltage, SEMIKUBE extends its range with a 1300A, 2-level inverter, able to operate up to 1500V. Using state-of-the-art IntelliOff driving technology, the inverter provides safe operation under all conditions. The high robustness of the CAL diode against cosmic rays, gives a very low failure rate. Designed within the same footprint as standard size 3, the known benefits of the SEMIKUBE are present, to provide a fast and cost effective alternative to 3-level solutions.



CLASSIC SKSE

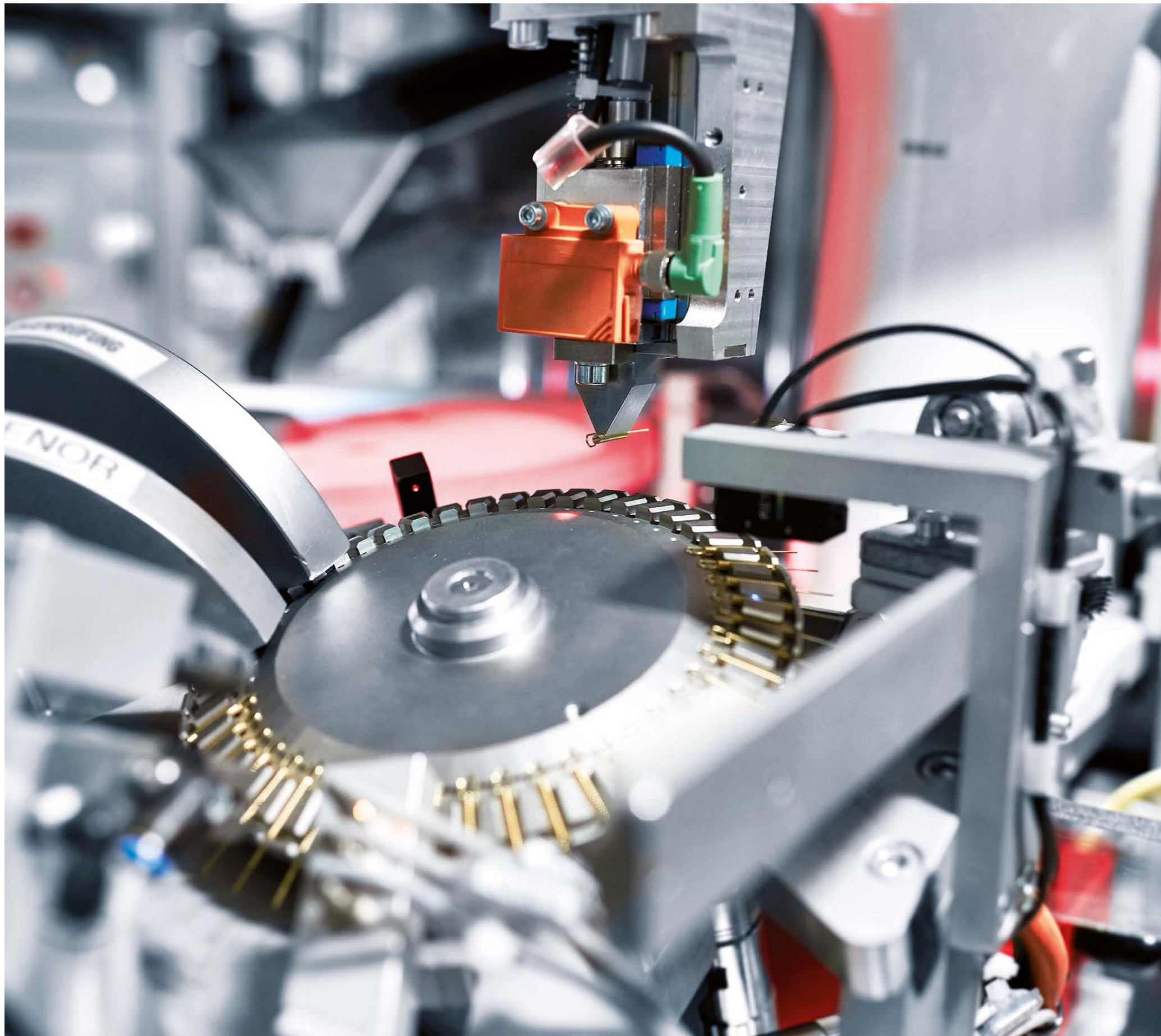


CLASSIC SKSE

Modular high current rectifier – Extending the CLASSICS range, the CLASSICS SKSE is a modular product specially optimised for rectifiers, but other configurations can be realised as well. Using the well established capsule technology, the new Z5 heatsink profile, simplify stack construction and provide modularity. Able to accommodate high performance axial fans, customisation is possible to achieve fan redundancy, or other fan supply voltages. The CLASSICS SKSE range, dedicated to low voltage applications (500Vac), is by design, easily scalable to a higher voltage range.



Content



Product Lines

Overview Productlines	13
-----------------------	----

Product Classes

01 IGBT Modules	48
02 Silicon Carbide Modules, Full SiC, Hybrid SiC	84
03 MOSFET Modules	96
04 Thyristor/Diode Modules	102
05 Bridge Rectifier Modules	116
06 Intelligent Power Module – IPM	132
07 IGBT Driver	144
08 Stacks	148
09 Systems	160
10 Discretes, Chips, Discrete diodes, Discrete thyristors	168
11 Accessories, Heatsinks, Fans, Thermal Paste	182

Service & Contact

SEMIKRON Online Shop	194
Product Sample Request	195
Technical Seminars	196
SemiSel Simulation	197
Applications	198
Technologies	199
Application Manual	200
Abbreviations	201
Worldwide Contact	202

Product Lines



Modules

MiniSKiiP	14
SEMITOP	16
SEMiX	18
SEMITRANS	20
SKiM	22
SEMIPONT	24
SEMIPACK	26
SEMISTART	28
SKiiP	30

IGBT Driver

SKYPER	32
---------------	----

Stacks

SEMISTACK CLASSIC	34
SEMISTACK RE	36
SEMIKUBE	38
SKiiPRACK	40

Systems

SKAI	42
-------------	----

Discretes

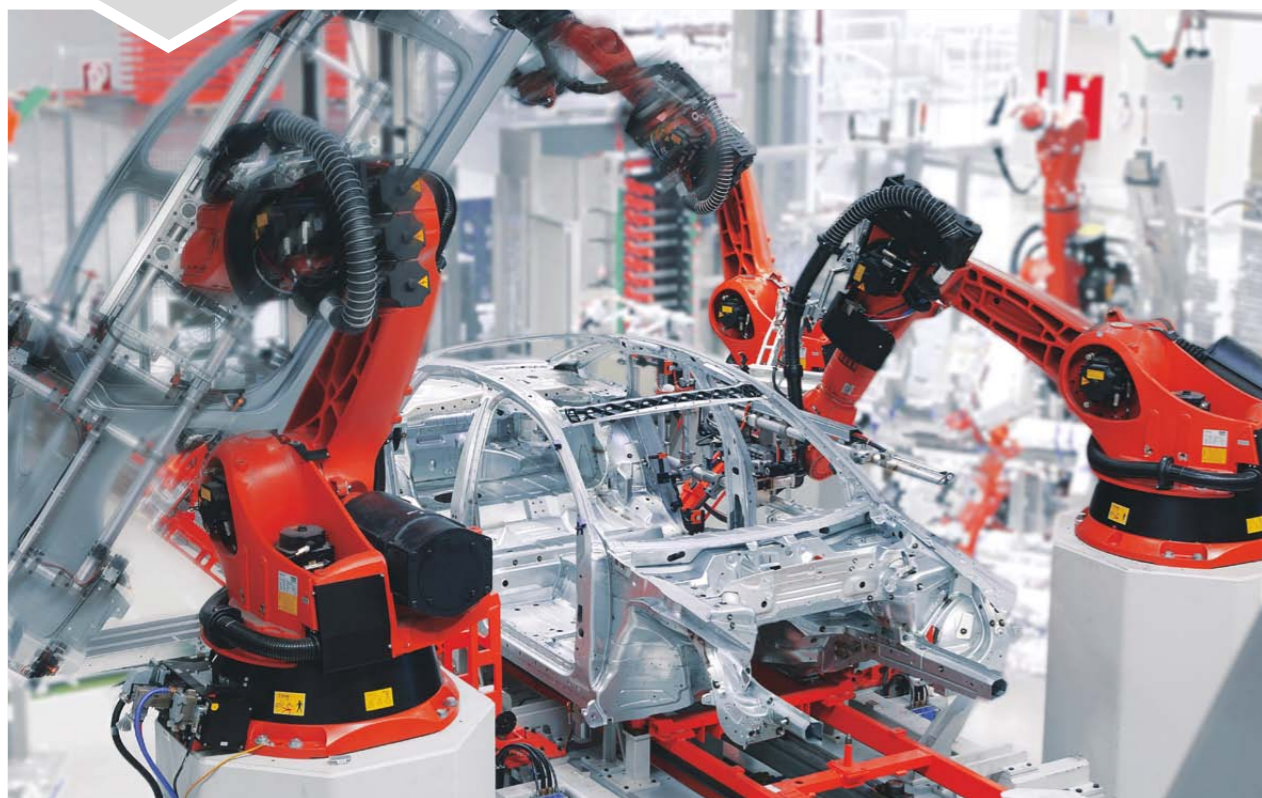
Discrete Diodes / Discrete Thyristors / Rectifiers Bridges	44
---	----



Low cost assembly, high production run rate, high yield

Small and compact inverter design

High reliability and long product life time



Fast, cost efficient and reliable one screw mounting

Benefits

An important mechanical feature of MiniSKiiP modules is the outstanding easy assembly and service friendly spring-contact for load and gate terminals. Compared to conventionally soldered modules, where expensive soldering equipment is required for time-consuming solder processes, no special tools are needed for MiniSKiiP assembly. Instead, a single screw connection is used. The printed circuit board (PCB), the power module and the heat sink are assembled in one mounting step.

This connection technology features a number of additional advantages: the PCB can be more flexible in design, as the power circuit board does not need to include holes for solder pins. The springs provide a flexible connection between the PCB and the power circuitry which is far superior to a soldered joint, particularly under thermal or mechanical stress conditions which can affect lifetime. Thanks to the high mechanical pressure provided by the springs, an air-tight, reliable electrical connection is achieved.

Applications

With almost 2 decades of field experience and more than 30 million modules in the field, this module platform has proven successful in all standard applications. Key applications include all kinds of inverters, such as standard drives, stand-alone drives, servo drives, system drives, solar inverters, UPS systems and welding machines. Due to the high reliability of spring contacts, applications such as agricultural vehicles or pitch motors of windmills benefit from the MiniSKiiP technology as well.

Product range

MiniSKiiP modules are designed for 600V/650V, 1200V and 1700V with 4A - 400A nominal chip currents, and feature Trench IGBT technology in combination with the SEMIKRON CAL diodes. 1200V Trench IGBT4 and CAL 4 diodes are designed for maximum junction temperatures of 175°C. In addition to CIB, 6-pack, twin 6-pack, H-bridge, half bridge, 3-level and uncontrolled/half-controlled rectifiers plus brake chopper, customer-specific modules are also available. For fast evaluation, lab test boards can be ordered for each module type.

Key features

- Solder-free SPRiNG Technology for fast and easy assembly
- Without copper baseplate for cost efficient concept
- Easy and flexible PCB routing without pin holes
- Current range 4A to 400A for inverter range up to 90kW with one product platform
- Comprehensive setup of topologies: CIB, 6-pack, twin 6-pack, H-bridge, half bridge, 3-level, bridge rectifiers with brake chopper



Motor Drives



Solar Energy



Power Quality



Power Supplies

Further information:
www.semikron.com/miniskiiP



- Complex topologies in compact space
- Simple pin routing thanks to terminal edge positioning
- Low inductance design philosophy coupled with latest chip technologies



Flexibility for high integration level and high performances

Benefits

Complete family of fully compatible 12mm height modules for solder or solder free assembly to the PCB. One screw module for easy, fast and reliable assembly. Pins on the edges allow for more internal available space to fit the most complex topologies. Three level inverters are, for example, integrated in SEMITOP3 and SEMITOP4 housings. Low inductance design approach together with Si and SiC technologies available to offer the best in class solutions.

Applications

SEMITOP is a useful product in the low and medium power range where flexibility and high integration levels are required. Latest available chip technologies and the ability to offer compact designs make this product suitable for different and new high performing configurations like three level inverter (NPC and TNPC), double boost and interleaved boost applications covering different markets like UPS, solar, motor drives and welding.

Product range

SEMITOP may include fast Si diode, fast IGBTs and MOSFETs even for high voltage. SiC Schottky diode and MOSFET can be evaluated as well. Thus a lot of different configuration with different chip combinations are possible:

- NPC inverter up to 150A/650V
- TNPC inverter up to 150A/1200V-100A/650V
- Three-phase inverter up to 200A/600V and 100A/1200V
- CIB configurations up to 100A/600V and 50A/1200V
- MOSFET configurations up to 300A
- Three-phase bridge rectifier with DC output current up to 100A
- Many other configurations are available

Key features

- One central mounting screw for low mounting cost
- Non-baseplate design
- Insulated module
- Low thermal resistance thanks to homogeneous pressure distribution
- Through hole solder pin terminals and press-fit terminals
- High integration level possible for compact design
- 12mm height



Solar Energy



Power Quality



Motor Drives

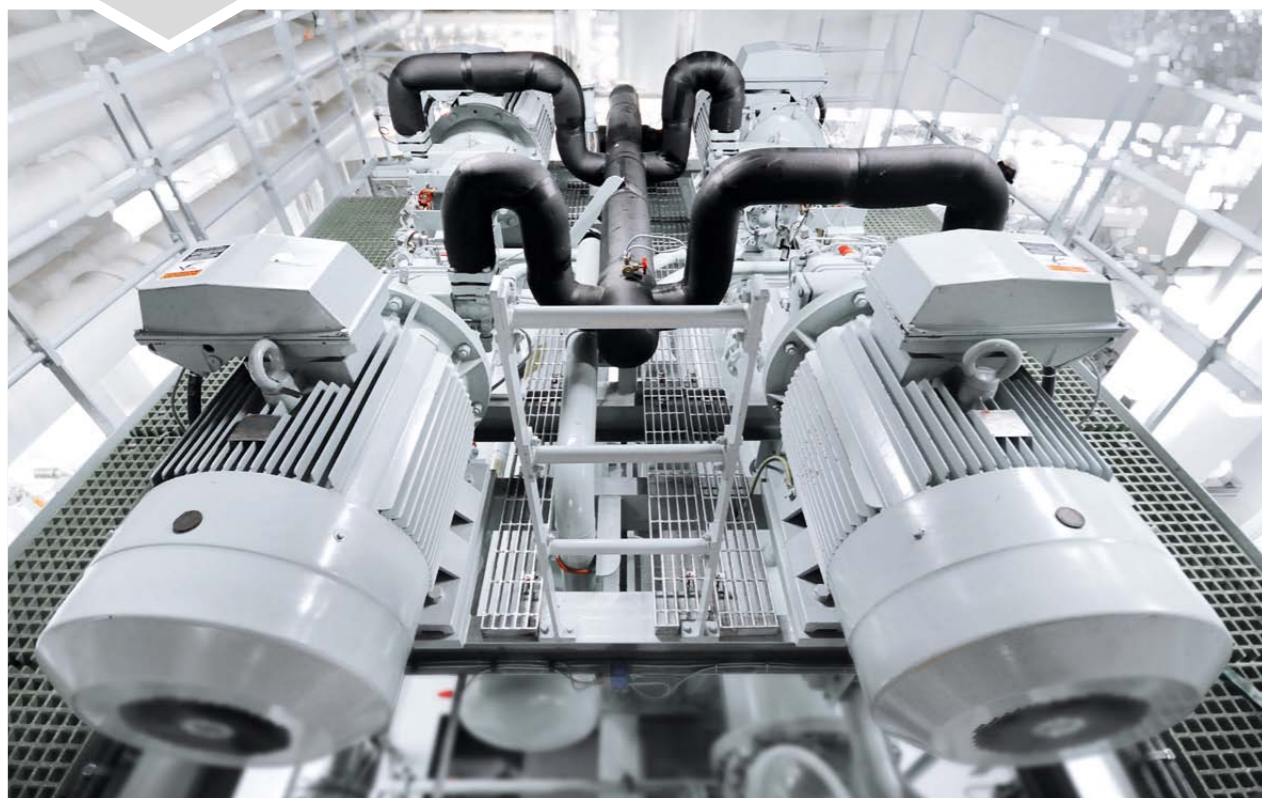


Power Supplies

Further information:
www.semikron.com/semitop



- Reliable spring or press-fit connection
- Direct driver assembly
- Flat and compact inverter design



IGBT and rectifier module family for solder-free mounting

Benefits

The family concept of SEMiX includes a unification of IGBT and rectifier housings. All have the same height (17mm) and can be connected by one principle DC-link design, due to having the same interface for IGBT and rectifier stage. This saves development time and makes a simple and low-inductance DC-link profile possible. Spring or press-fit contacts allow for a gate driver mounted directly on top of the module. So there is no risk of noise on wires or loose connectors. With the flat package and separated AC and DC terminals a state-of-the-art inverter construction is possible, which is very compact. The auxiliary contacts avoid solder joints and offer highly reliable pressure contacts. This leads to an increased product reliability and lifetime. The solder-free contacts offer a fast and easy assembly process and especially spring contacts are user friendly with regard to servicing. Production at the customer site can be optimised by uniform direction of assembly (everything top down). This simplifies logistics and reduces manufacturing costs. Using the scalability of SEMiX housings, with one basic design a complete inverter line can be built with less effort. In consequence the overall costs can be reduced.

Applications

SEMiX is a flexible and application oriented module. On the basis of a scalable platform concept, modern chip technology is integrated into IGBT and rectifier modules which are used in a wide variety of applications, such as AC motor drives, switching power supplies and current source inverters. Other typical applications include matrix converters, uninterruptible power supplies and electronic welding devices.

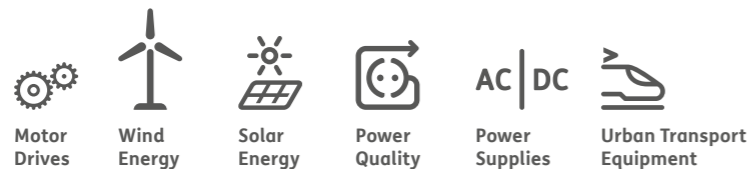
Product range

Eight different housing sizes are available in the voltage classes 600V, 1200V and 1700V for the IGBT modules. Half-bridge, 6-pack and chopper topologies are available with a current range from 75A to 600A. Besides IGBT 3 and IGBT 4 chips, the 1200V range also includes a series with V-IGBT devices. Controlled, half-controlled and uncontrolled rectifier modules with identical footprint and 17mm height are also available. Latest packages are available with current sensing shunt resistor, 3-level topologies (NPC, T-NPC) or as buck-boost converters.

Key features

- Available in 600V, 1200V and 1700V and from 75A to 600A
- Multiple IGBT sources
- Solder free contacts for highest durability
- Comprehensive topologies for 2- and 3-level applications

Now also available with current sensing shunt resistor



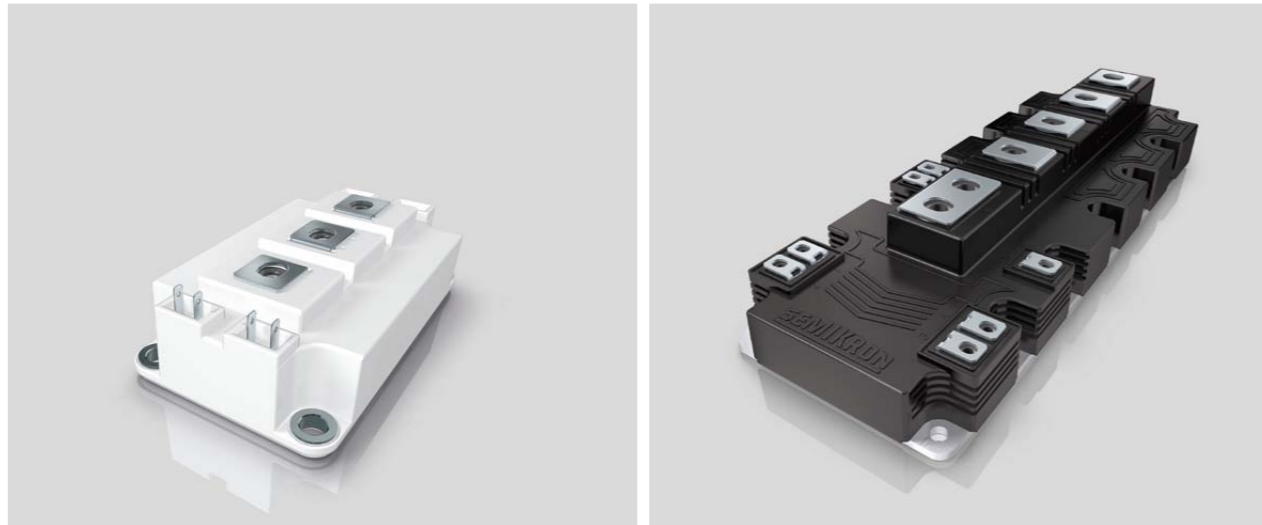
Further information:
www.semikron.com/semix



Safe operation with high DC-link voltages

Maximum power output

Multiple IGBT sources



Low inductance package design down to 10 nH

Benefits

The SEMITRANS package provides a low-inductive design down to 10nH which can be used for AC/DC inverters from 20kW to 1.5MW. The modules are available up to 1400A and 1700V. Availability is ensured by different IGBT sources. With a market experience of over 25 years the SEMITRANS packages offers a well proven standard design.

Applications

The proven package is designed for a broad range of applications like regenerative inverters and power supplies. The long service life fits perfectly to ambitious applications like AC drives, switched reluctance and DC motors.

Product range

The SEMITRANS family offers a broad range of topologies and power ranges. All standard voltage classes from 600V to 1700V can be chosen. The current rating extends from 25A to 1400A. And the SEMITRANS package is available as half bridge, chopper, single switch, MLI and common emitter.

Key features

- Topologies: half bridge, chopper, single switch, MLI, common emitter
- Isolated copper baseplate using DBC Technology
- With integrated gate resistor
- High isolation voltage



Motor Drives



Wind Energy



Solar Energy



Power Quality



Power Supplies



Urban Transport Equipment

Further information:
www.semikron.com/semitrans



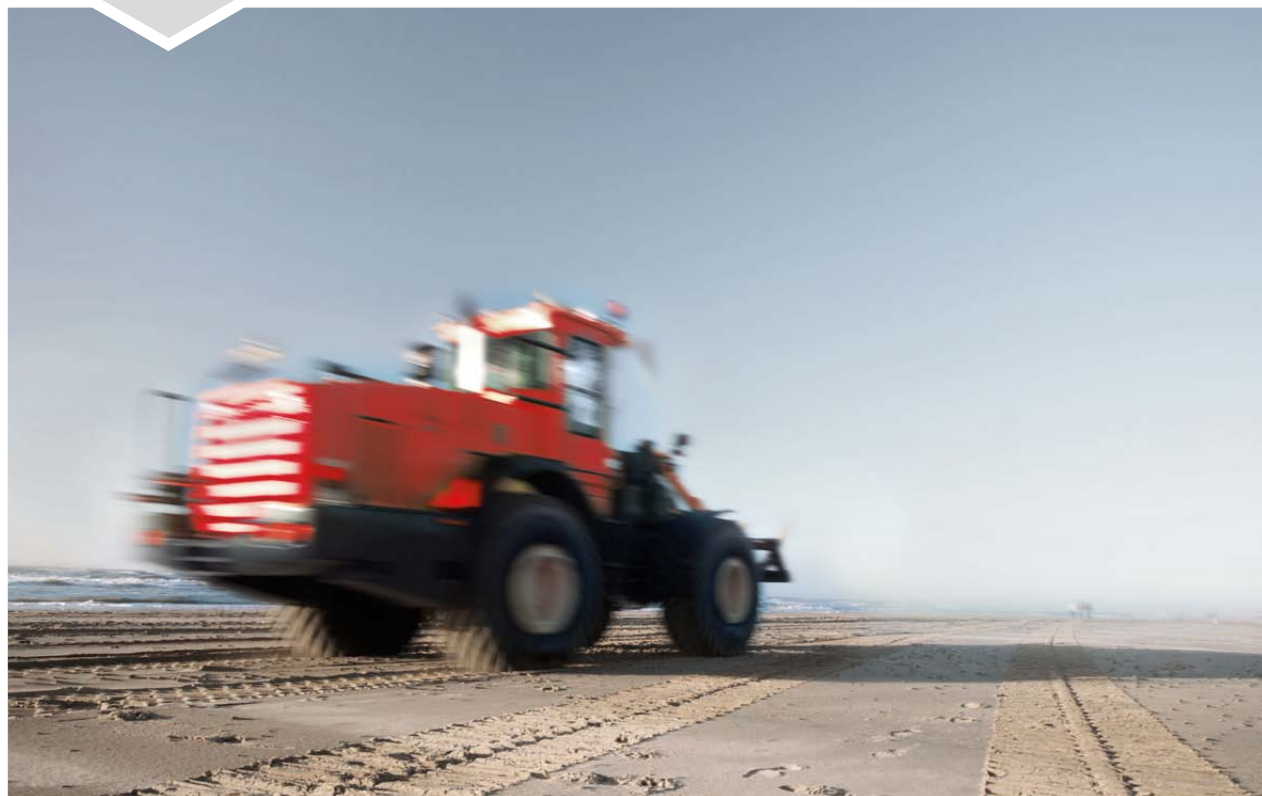
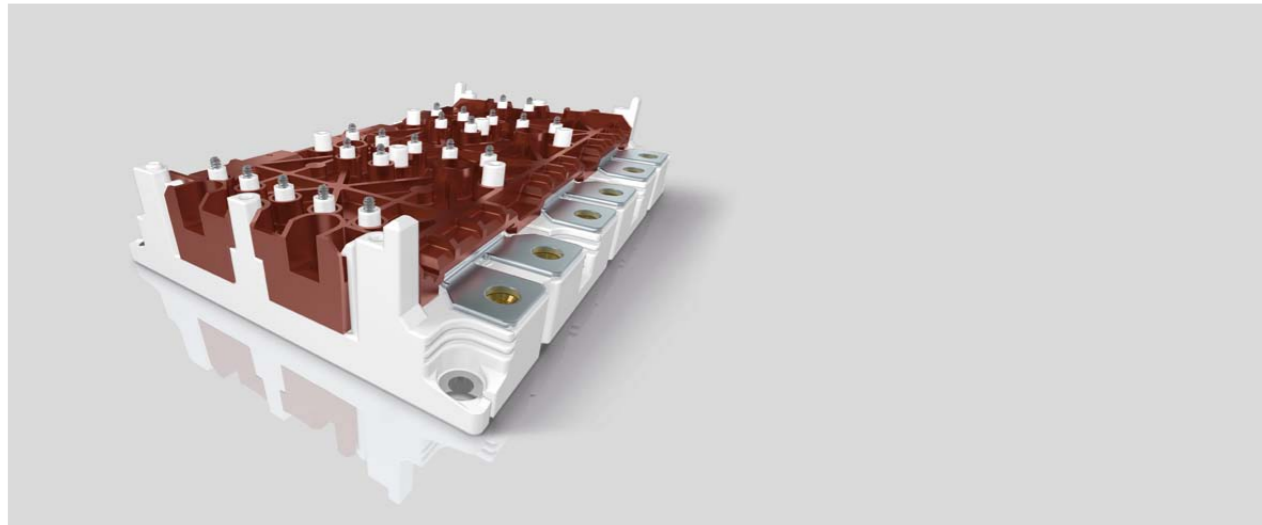
- No solder delamination thanks to sintered chips – SKiM 63/93

- 1500 temperature cycles without failure – SKiM 63/93

- More than 60000 power cycles with a temperature swing of 110K – SKiM 63/93

- Pressure contact SKiIP-Technology

- Up to 23% more performance with AlCu-bonded diodes and high performance thermal grease



100% solder-free ensures durability

Benefits

The SKiM modules can increase the reliability of inverters by several factors, even under substantial active and passive temperature swings. In addition to sintered chips, pressure contacts and springs technologies with AlCu-bonded diodes and high performance thermal grease the SKiM63/93 module shows up to 23.3% performance improvement with the same chip-set and same lifetime or twice the power cycling capability in comparison to standard sinter modules.

Applications

The SKiM 63/93 is designed for applications that require high inverter reliability. First of all this applies, of course, to automotive applications such as electric powertrains in electric utility vehicles, heavy-duty construction machinery and tractors, or even provide leading-edge performance in super sports and race cars. The SKiM 4/5 with its proven 3-level topologies can be found in ambitious applications such as solar and UPS.

Product range

The SKiM 4/5 modules are available as 6-pack, MLI and TMLI configuration with nominal currents from 200A to 600A. The SKiM 63/93 offers 3-phase inverter topologies at 600V, 1200V and 1700V. The power ranges from 20kW to 180kW with nominal currents of 300A to 900A. Modules in buck and boost configuration for 1200V, 600A complete the portfolio. Driver solutions are available as well as an optimised water cooler for fast and customer friendly evaluation. In addition, paralleling boards for a simple and powerful half-bridge configuration are also available.

Key features

- IGBT power module in 6-pack configuration with 3 separated half bridges – SKiM 63/93
- Available in 600V, 1200V and 1700V and from 200A to 900A
- MLI and TMLI configuration – SKiM4/5
- In 1200V, 600A also available in buck/boost configuration – SKiM 63/93
- Solder-free design for highest durability – SKiM 63/93
- Design without baseplate
- Solder-free mounting of the module and the driver PCB
- Low inductive design thanks to symmetrical layout



Motor Drives



Wind Energy



Solar Energy



Power Quality



Power Supplies



Utility Vehicles



Urban Transport Equipment

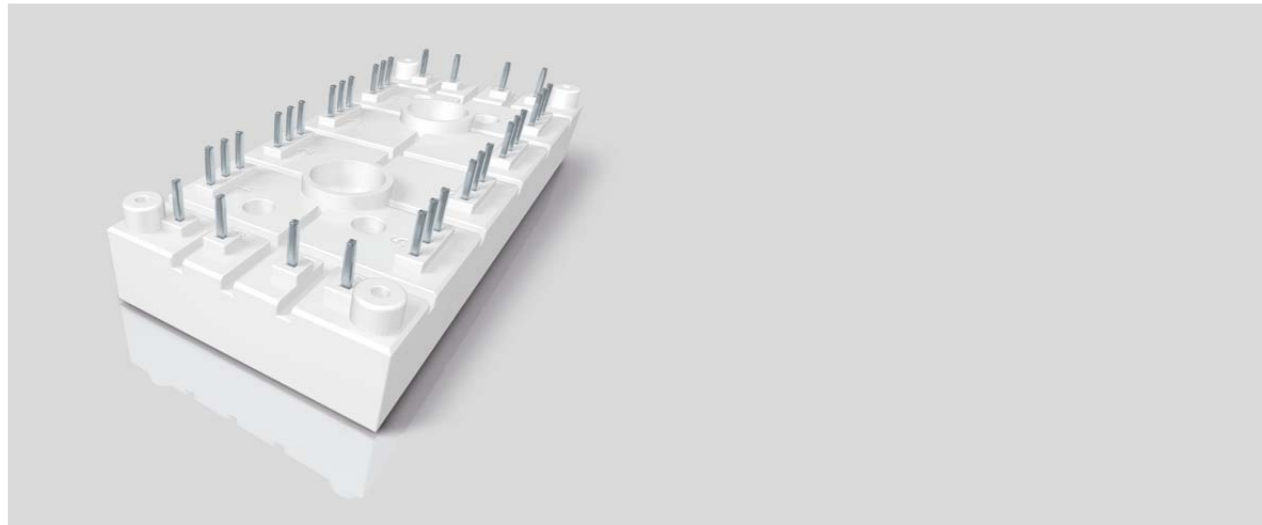
Further information:
www.semikron.com/skim



- Compact packages with screw, fast on or lead terminals

- High insulation voltages

- Diode, thyristor rectifier, rectifier/brake chopper and AC controller



Compact package with various configurations

Benefits

With blocking voltages up to 1.8kV the SEMIPONT family offers high ruggedness for harsh industrial applications. The different housings with soldered PCB connection allow for compact inverter design.

Applications

Typical application areas for the broad field of SEMIPONT power bridge rectifiers include AC and DC drives, servo drives, (controlled) field rectifiers for DC motors, (controllable) rectifiers for power supplies, input rectifiers for variable frequency drives, soft motor starters, temperature control, (controlled) battery charger rectifiers, DC motor field controllers, DC motor controllers and DC power supplies.

Product range

The SEMIPONT bridge rectifier family is available in various configurations with diode and thyristor rectifiers, rectifier/brake chopper or AC controller. The compact screw mounted packages enable fast PCB mounting. High blocking voltages of up to 1800V, high ruggedness for hard industrial application, high insulation voltages are also available.

Key features

- Diode, thyristor rectifier, rectifier/brake chopper and AC controller
- From 400V up to 1.8kV blocking voltages
- From 28A up to 207A
- Compact packages with screw, fast on or lead terminals



Power Quality

Further information:
www.semikron.com/semipont



Well established thyristor diode package

Market experience over 40 years

Broad power and topology range



Comprehensive product range – industrial standard

Benefits

SEMIPACK was the first insulated module on the market, and more than 40 years later, it is still state-of-the-art. It is a well established industrial standard with regard to footprint and module outline. Due to the comprehensive product range, the optimal solution can be found for any application. With SemiSel, the free online calculation and simulation tool for losses and temperature, the power electronic system developer is able to make the perfect power module choice.

Applications

The target applications for the thyristor, thyristor/diode or diode modules include input rectifiers (single-phase, three-phase, uncontrolled, half-controlled or controlled) for inverters or UPS systems, soft start applications and control systems.

Product range

The SEMIPACK product line offers a comprehensive product range with seven module lines: with voltages from 800V to 2200V, insulation voltages of 3.6kV, 4.8kV@1s and a current range from 15A to 1200A. Uncontrolled, half-controlled and controlled rectifier modules are available as well as single thyristor or diode modules. Also, fast diodes come in SEMIPACK modules. Furthermore, different contact technologies – soldered contact, bonded contact or pressure contact modules – are available.

Key features

- 800V up to 2200V
- 15A up to 1200A
- Uncontrolled, half-controlled and controlled rectifier
- Single thyristors and diodes



Motor Drives



Power Quality



Power Supplies

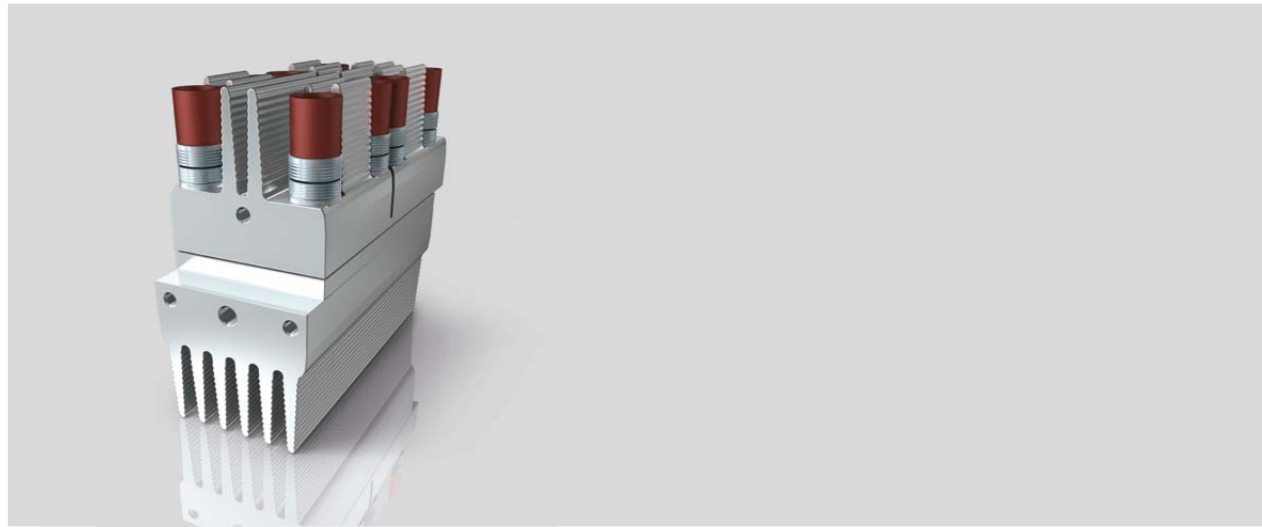
Further information:
www.semikron.com/semipack



Double-sided cooling for high load cycle capability

Robust pressure contact technology

Low thermal resistance



Robust thyristor package

Benefits

The main advantage of this power module is the high current capability in a new compact design. A 400kW soft-starter featuring SEMiSTART has just one sixth of the volume of the same device with conventional capsule thyristors.

Applications

SEMiSTART, the anti-parallel thyristor module is designed with an integrated heatsink for soft-start applications.

Product range

The SEMiSTART thyristor module is offered in five current classes, two voltages classes and three sizes.

In addition, due to pressure contact technology and double-sided chip cooling, these new thyristor modules can withstand overload currents of up to 3000A for a 20s duration of overload.

Key features

- 500A up to 3000A overload
- Double sided cooling
- Pressure contact



Motor
Drives

Further information:
www.semikron.com/semistart



3-in-1: Driver, semiconductors and cooling

2-3 times higher power cycling capability due to sinter technology

Completely assembled and 100% tested – including 1 hour burn-in test



Motor Drives



Wind Energy



Solar Energy



Power Quality



Utility Vehicles



Urban Transport Equipment

Sintered chips – for high operating temperatures

Benefits

SKiiP4 is the most powerful IPM on the market. SKiiP4 modules enable the production of converter units with outputs of up to 2.1MW. The power semiconductors used in SKiiP4 modules can be operated at a junction temperature of up to 175°C. To make sure these components can be reliably used at these temperatures, the power circuitry is 100% solder-free. Sinter technology is used to create a sintered silver layer instead of the solder layer which could limit the service life of power modules. Reliability during active and passive thermal cycling is greatly improved. A further benefit is the better load cycling capability as compared to solder-based modules.

The integrated gate driver in the SKiiP4 sets new standards in terms of reliability and functionality. The digital driver guarantees safe isolation between the primary and secondary side, both for switching signals and all measurement parameters, such as temperature and DC link voltage. This means the user no longer has to introduce complex and costly circuit components to provide safe isolation. For the first time, the SKiiP drive features a CANopen diagnosis channel for the integration of additional functions.

Applications

The success story of the SKiiP family has progressed hand in hand with the advancement of the wind power market. The 4th generation SKiiP modules are a further improvement of the powerful SKiiP series. The mainstay of SKiiP4 modules is the wind power sector, with approximately 57GW out of the 122GW of wind power installed worldwide (at the end of 2009) featuring SEMIKRON solutions, in many cases SKiiP technology. Besides wind power applications, SKiiP modules can also be found in elevators, solar power and railway applications – in fact, in any area where powerful, safe and reliable IGBT IPMs are a must.

Product range

SKiiP4 is available for 1200V and 1700V. In both of these voltage classes, SKiiP4 modules come in the topologies 3GB 1800A, 4GB 2400A and – new to the SKiiP family – 6GB 3600A. The wide range of accessories is now available for both SKiiP3 and SKiiP4. Among them the fiber optic boards, the boards for paralleling of SKiiP systems and the adapter board for connection of SKiiP4 to SKiiP3 controller.

Key features

System

- DC-Link monitoring (SKiiP3, SKiiP4)
- Current sensors (SKiiP3, SKiiP4)
- Temperature measurement (SKiiP3, SKiiP4)
- CAN diagnostic interface (SKiiP4)
- 100% solder-free (SKiiP4)
- Water, air and customized cooler

Production and Test

- 100% tested (function, isolation, protection function)
- Burn-In (SKiiP3 on request, SKiiP4 = 100%)

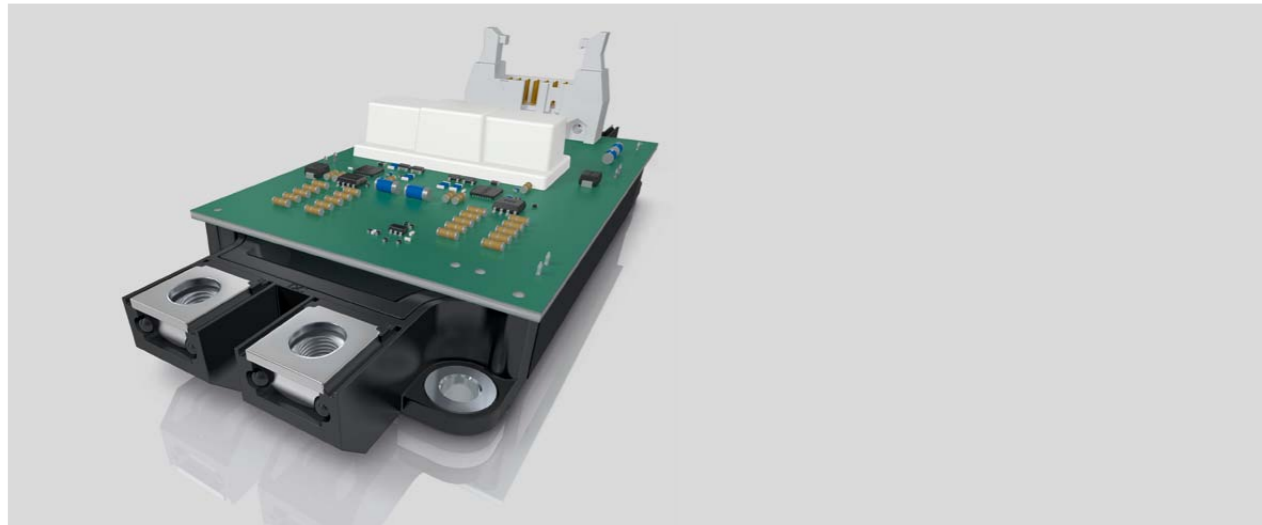
Further information:
www.semikron.com/skiip



MTBF rate of 5×10^6 hours (29500) with new SEMIKRON ASIC chipset

Safe gate control with separate signal transmission

7kV burst durability due to interlayer connection and metal pad ASICs



Motor Drives



Solar Energy



Power Quality



Urban Transport Equipment

SKYPER drives 3 x longer

Benefits

The high integration of SEMIKRON's new ASIC chipset provides for safe IGBT gate control over the whole lifecycle. Short circuits are managed very fast by separate error channels. SoftOff and over voltage feedback avoid dangerous overvoltages. The mixed signal ASICs guarantee lowest tolerances over the full temperature range. MLI or paralleled IGBT topologies are managed by the adjustable error handling. With an optimized interface and the adjustable filter setting the SKYPER IGBT driver survives external interferences over 100% of EN standards.

Applications

The new SKYPER 42 LJ offers the benefits of digital signal consistency while maintaining full performance. Ambitious applications such as medical or large drives up to 300kW are securely powered. SKYPER 32 is the perfect solution for industrial drives and process control applications. SKYPER 42 meets the requirements of induction heating/welding applications that call for high currents, durable solar inverters and motor drives between 300kW and 1.5MW. SKYPER Prime drives Primepack and SEMITRANS 10 modules up to 1700V and 1400A. The new SKYPER 12 PF is the benchmark for motor drives applications based on 17mm press fit modules.

Product range

The SKYPER drivers are available as IGBT driver cores and plug and play driver. The SKYPER platform can drive 600V, 1200V and 1700V IGBT modules. SKYPER 32 drives with a standard and a PRO version 1W per channel. The PRO version has additional protection features like external failure inputs and SoftOff. The SKYPER 42 has 4W per channel and can drive up to 2500A IGBTs. The SKYPER 42 LJ with 2W per channel closes the gap between SKYPER 32 and 42. With the new ASIC chipset, the fast failure management and the consistent signal conditioning the 42LJ is the latest driver core of SEMIKRON. The latest IGBT drivers are SKYPER Prime and SKYPER 12 PF. Both offer as fully qualified Plug & Play driver maximum performance when using SEMiX P or SEMITRANS 10 modules.

Key features

- Two driver channels for IGBT single and half bridges
- For 600V, 1200V and 1700V IGBT modules
- Driving up to 2500A
- Short pulse suppression and EMC cage
- SoftOff and separate error channels
- Adjustable filter and failure management
- Customized adapter boards on request

Further information:
www.semikron.com/skyper



- Off-the-shelf product range

- Air cooled power assemblies

- Ready for integration



Motor Drives



Power Quality



Urban Transport Equipment

Standards for LV diode/thyristor rectifiers

Benefits

The SEMISTACK CLASSICS family range has been set up for fast integration of an industrial rectifier. Each power bridge has been sized to embed semi-conductors with suitable RC commutation circuit, proper AC fuses and cooling devices. The high power range of rectifier has been improved using a new heatsink profile, allowing for modularity, fan options, easy maintenance and weight reduction.

Applications

- Regulated/unregulated power supplies
- Alternator excitation
- Motor control
- Soft starters
- Soft charge
- Industrial heating

Product range

The SEMISTACK CLASSICS family range consists of a 137 item list, corresponding to four electrical topologies B6C, B6HK, B6U, W3C. These products are available in natural or forced cooling, with or without fuses. They include RC protection circuit and are ready for cabinet integration, independently from their semiconductor devices technology (isolated or not).

Key features

- 4 topologies B6C, B6U, B6HK, W3C
- Maximum continuous DC current from 60A up to 4015A_{DC}
- Rectifier AC voltage up to 500V_{AC}
- DC bus voltage up to 670V_{DC}
- RC, fuses, cooling fans and thermo switches included

Further information:
www.semikron.com/semistack-classics



Pre-qualified water cooled IGBT power assemblies

IGBT inverter power density up to 11.4kVA/L

2- and 4-quadrant 3-phase converter

Long life expectancy



Wind Energy



Solar Energy

Low voltage optimized converter for wind and solar PV

Benefits

The SEMISTACK RE offers a pre-qualified power assembly ready for integration following rigorous SEMIKRON qualification and current environmental standards (IEC 60721-3). The platform design has been optimized to get the best compromise cost/performance for a water-cooled power inverter in the megawatt power range. The book format enables a compact integration in standard industrial cabinets to achieve high power up to 6MVA low voltage. Specified for wind turbine applications, the SEMISTACK RE offers a high IGBT cycling capability and a high capacitor bank lifetime, reducing maintenance.

Applications

The SEMISTACK RE complies with wind turbine requirements, offering the capability to built 4-quadrant converters suitable with synchronous generator and double fed induction generators, with an optional brake chopper design. The platform flexibility allows to match requirement of solar PV central inverters with a DC bus voltage up to 900VDC continuous. Alternatively, SEMISTACK RE can be used in low-voltage applications requiring high power and high reliability, such as 3-phase inverters in a shipyard or in a battery energy storage unit installed close to renewable energy power plants.

Product range

The SEMISTACK RE platform offers a standard inverter size HWD 1500 x 230 x 510 mm to fit two power sub-assemblies into a 600 x 600 x 2000 mm cabinet. The standard size has a current distribution between 1000A and 1400A. For applications with lower current rating or with a stronger constraint on the cabinet size, a smaller inverter size HWD 1250 x 230 x 510 mm offers continuous output current rated from 600A to 900A_{RMS}.

Key features

- Maximum continuous output current from 600A up to 1400A_{RMS}
- Switching frequency up to 5kHz
- Inverter output voltage up to 690V_{AC}
- DC bus voltage up to 1250V_{DC}
- DC bus polypropylene capacitor bank lifetime rated at 100,000 hours at 40 °C
- Analogue measurement T, V_{BUS}, I_{OUT}
- CAN interface (configuration and monitoring)
- Brake chopper optional

The SEMISTACK RE embeds the SKiiP IPM product family which integrates the IGBT gate driver and monitoring analogue outputs (temperature, output current and DC bus voltage). As an option, a CAN interface for supervising the SKiiP. To increase power capacity up to 6MVA, SEMISTACK RE can be put in parallel, connected together through the DC bus and controlled all-like-one with a SEMIKRON paralleling board. As an option, SEMISTACK RE platform can be offered as an integration into an industrial cabinet with suitable AC and/or DC power filters, electrical and hydraulic distribution.

Further information:
www.semikron.com/semistack-re

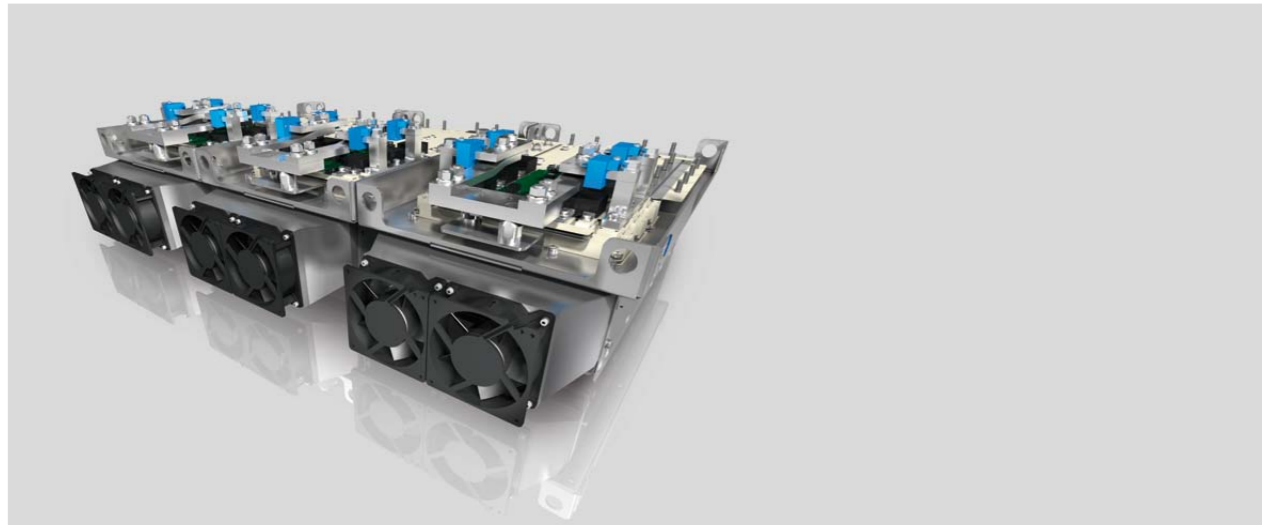


- Air cooled IGBT power assembly

- Maximum output current from 150A up to 1500A

- Fits into 300mm cabinets

- Fully integrated safety management



Air cooled IGBT converter family up to 1MVA

Benefits

Extending the SEMIKUBE portfolio, the SEMIKUBE SlimLine platform is a family of pre-qualified power assemblies which follow the same rigorous SEMIKRON qualification and certifications. The platform integrates advanced technologies which maximize performance and power density. SEMIKUBE SlimLine platform has been designed to fit applications in severe environments. Suitable for outdoor cabinets, the platform can be placed in environments subject to high temperature fluctuations. Extremely slim, the platform can be mounted into 300mm deep cabinets. SEMIKUBE, by its modular design and patented DC clamp, enables the construction of various converter topologies. The platform design facilitates easy arrangement in the cabinet owing to the separation of the main cooling air flow through the heatsink and its IP54 rated mounting flange. The new SEMIKUBE 1500V, with its state of the art driver, provides a fast and cost effective alternative to 3 level solutions.

Applications

Following the philosophy of the SEMIKUBE, the SEMIKUBE SlimLine is optimised for solar PV central inverters. Sized for the most commonly used central inverter ratings on the market, i.e. 500kW, 670kW up to 900kW, the SEMIKUBE SlimLine

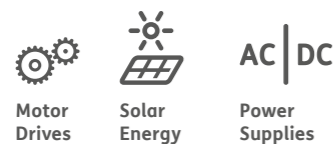
3-phase inverter operates up to 1000VDC bus voltage. Designed in accordance with IEC 62109, the platform is poised to obtain UL 1000V recognition. SEMIKUBE SlimLine complies with most AC drives application requirements. The current measurement precision of 1% (at 25°C) allows for premium motor control required for highly dynamic applications and motion control systems.

Product range

The SEMIKUBE offers four frame sizes of continuous rated current from 150A to 1500A, using SEMITRANS 1200V IGBT Trench E4 modules. SEMIKUBE SlimLine design is optimised for 3-phase inverter topologies. Dedicated rectifier with 3-phase inverter and optional brake chopper may be added. The IGBTs are controlled by a SEMIKRON embedded driver, which provides error management, and analogue outputs of current, DC voltage and heatsink temperature. A CAN interface is available for parameter configuration and diagnostics monitoring. Air cooling for SEMIKUBE SlimLine is provided by highly efficient long life axial fans, realizing maximum power within a compact package. SEMIKUBE is a more versatile product, allowing converter construction around a common DC link, including four quadrant converters, multiphase converters and newly developed 1500V inverter for solar central system.

Key features

- Power density up to 7.5kVA/L
- Four frame sizes ranging from 75kVA up to 1500kVA
- AC output voltage up to 690V_{ac}
- Current measurement accuracy <1%
- $T_{HEATSINK}^{\circ}, V_{BUS}^{\circ}, I_{OUT}^{\circ}$: analogue measurement or CAN monitoring
- Operating temperature range: -30°C to +60°C
- Integration into 300mm deep cabinet
- UL1741 1000V ready
- 100% tested in production



Further information:
www.semikron.com/semikube

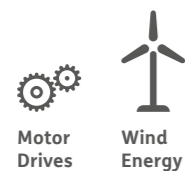
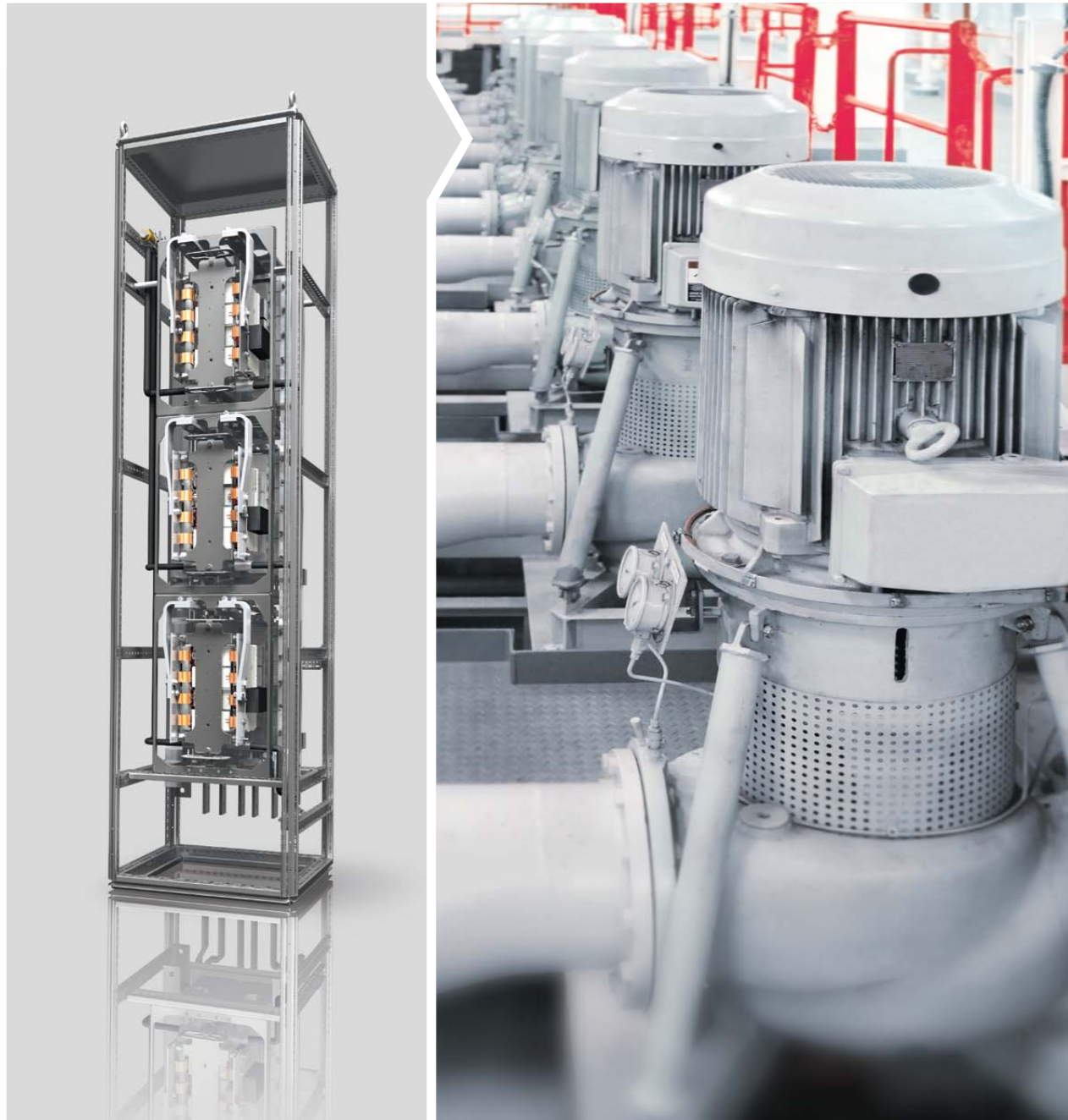


Pre-qualified water cooled IGBT power assemblies

IGBT Inverter power density at 10.4kVA/L

Flexible mounting

High reliability and long life expectancy



Versatile high power inverter platform

Benefits

The SKiiPRACK offers a pre-qualified power assembly ready for integration following rigorous SEMIKRON qualification and current environmental standards (IEC 60721-3). Based on a "Cell" construction, the SKiiPRACK platform offers high flexibility for designing numerous electrical topologies and for a convenient integration into standard industrial cabinets. The SKiiPRACK has been designed for applications requesting high reliability and a long life time up to 20 years. Totally dismountable, the cell concept eases maintenance phases, reducing the time of handling and application stops.

Applications

The SKiiPRACK complies with wind turbine requirements, offering the capability to build 4-quadrant converters suitable for synchronous generators and double fed induction generators, with an optional brake chopper design. The platform flexibility allows matching electrical topologies of AC drive applications to power AC induction motors up to 1MW, in particular for pumps or in shipyards.

Product range

The SKiiPRACK platform consists of a cell HWD 525 x 375 x 470 mm to be assembled with others cells to create a functional unit in standard cabinets 600 mm deep and 2,000 mm high. A cell can integrate an H-bridge, a 1-phase leg + brake chopper or 12-pulse rectifier, and combination of them can create 3-phase inverter, 4-quadrant converter or 3-phase rectifier and inverter. The output current range offers scalability from 600A to 1200A continuous.

Key features

- Maximum continuous output current from 600A up to 1200A_{RMS}
- Switching frequency up to 5kHz
- Inverter output voltage up to 690V_{AC}
- DC bus voltage up to 1100V_{VDC}
- DC bus polypropylene capacitor bank lifetime rated at 100,000 hours at 40 °C
- Analogue measurement T, V_{BUS}, I_{OUT}
- As possible options:
 - Brake chopper, additional capacitor bank, DC bus electrolytic capacitor bank, diode/thyristor rectifier cells

The SKiiPRACK embeds the SKiiP IPM product family which integrates the IGBT gate driver and monitoring analogue outputs (temperature, output current and DC bus voltage). As an option, a CAN interface for supervising the SKiiP. To increase power capacity up to 5MVA, SKiiPRACK can be put in parallel, connected in a very flexible way (horizontal or vertical) together through the DC bus and controlled all-like-one with a SEMIKRON paralleling board. As an option, SKiiPRACK platform can be offered with integration in an industrial cabinet with suitable AC and/or DC power filters, electrical and hydraulic distribution.

Further information:
www.semikron.com/skiiprack

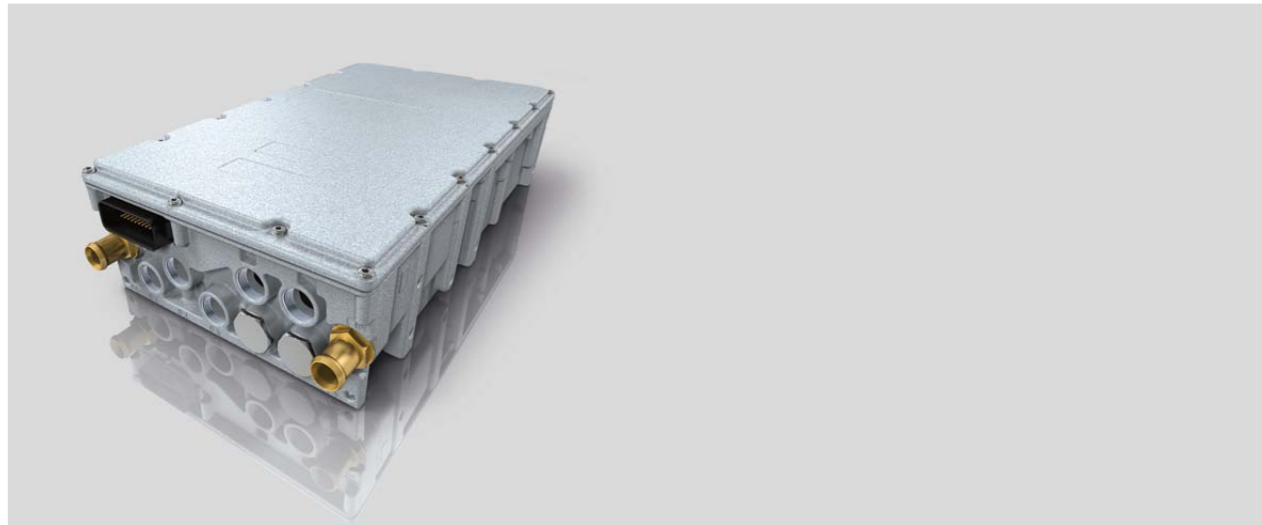


- Suitable for battery voltages 24V up to 800V

- Sintered power semiconductors

- EMI compliant

- “off-the-shelf” variants with gate driver interface, vector control software, automotive power connections



Most compact power electronic system „off-the-shelf“ for electro-mobility

Benefits

The SKAI power electronic platform – now in its 2nd generation – comprises highly integrated motor controller which provide the ideal powertrain solution for mobile electric and hybrid applications. Power densities of up to 20kVA / liter provide a notable size reduction compared with other available standard motor controller products. The systems are designed to operate with supply voltages of 24V up to 800V and with output power ratings of up to 250kVA.

The IGBT-based SKAI 2 HV motor controller operates on sintered 100% solder-free 600V or 1200V power semiconductors and it features polypropylene film DC-link capacitors. The MOS-based SKAI 2 LV motor controller uses the established SkiIP technology with a very low-inductive connection to the DC-link capacitors, driver electronics, latest generation DSP controller, current, voltage and temperature sensors. It is integrated in a waterproof IP67 enclosure. The compact motor controller withstand high vibration amplitudes up to 10g rms. QUASAR motor control software functionally complements the system and completes this tried-and-tested package. SEMIKRON provides engineering services to support customers in the integration of the SKAI 2 motor controller systems. Available services include, for instance, lifetime estimation, field application support, individual parameterization of motor control software etc.

Applications

The SKAI 2 “Off-the-Shelf” power electronic building block family has been introduced to cover a broad range of vehicle electrification applications. Examples are electric drivetrains with standardized motor/generator flanges to fit or retrofit the drives easily into existing vehicle designs. These types of drivetrains have been developed for many vehicle types, i.e. buses, light trucks, agriculture and construction machinery as well as marine applications or cars.

Product range

There are versatile SKAI 2 HV “Off-the-Shelf” variants available. The SKAI 2 LV is available as single or dual motor controller for supply voltages between 24V and 115V. Cooling methods are liquid, forced air cooling or base plate. There are different optional services available like end-of-line flashing of customer specific software, lifetime estimation based on application profile analysis, field application support, individual parameterization of motor control software and further services on request.

Key features

- Compact integration in IP 67 enclosure
- Voltage, current and temperature sensors
- Gate driver with protection
- IGBT/ MOSFET power semiconductors
- Fully programmable digital signal processor
- EMI filters
- Versatile cooling system (liquid cooled, forced air cooled, base plate)
- DC link capacitors
- Motor control software



Utility Vehicles

Urban Transport Equipment

Further information:
www.semikron.com/skai

Discrete Diodes / Discrete Thyristors / Rectifier Bridges



Discrete diodes and thyristors for low to high power applications

Rectifier bridges for low to medium power applications

Available in voltage classes from 200V to 5000V

Current ratings from 1A to 6000A

Wide range of case designs



Discrete devices – robust and easy to use

Discrete benefits

Discrete components are used in a wide variety of applications. Particular benefits are achieved whenever high current, uncommon topologies, natural cooling or resistance to harsh conditions are required.

The SEMIKRON portfolio includes axial leaded diodes up to 6A, diodes and thyristors in screw fit (stud) and capsule housings which range from 6000A and 5000V for diodes, to 1200A and 1800V for thyristors.

- Easy assembly
- Hermetic sealing
- Rugged construction

Rectifier bridge benefits

When performance, space and fast production are paramount, SEMIKRON rectifier bridges are the solution in many applications. Single or 3-phase topologies using diodes, thyristors and IGBTs in isolated compact cases can be realised. Whether your preference is connection by solder, solderless through spring or press-fit contacts, mechanically with screws, fast-on or busbars, SEMIKRON has a product.

- Flexible designs achievable
- Customised terminations possible

Discrete applications

Key uses include welding machines, battery chargers, electroplating, soft starters, DC motor control, AC controllers (e.g. for temperature control), alternators and several others. With sealed cases, discrete devices are convenient for both natural convection and forced cooling allowing wider application fields. With over 50 years of field experience and millions of units produced every year, the SEMIKRON portfolio enables competitive, flexible and highly reliable options.

Avalanche diodes

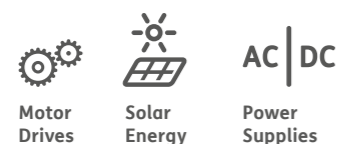
- No over-voltage suppressors are needed
- Insensitive to short term reverse overloads
- High blocking voltages possible without static or dynamic voltage sharing circuits

Rectifier bridge applications

Key applications include battery chargers, motor drive input rectifiers, power supplies, DC motor control, rectifiers with PFC, AC controllers, static switches (SKWT types) for natural convection or forced cooling.

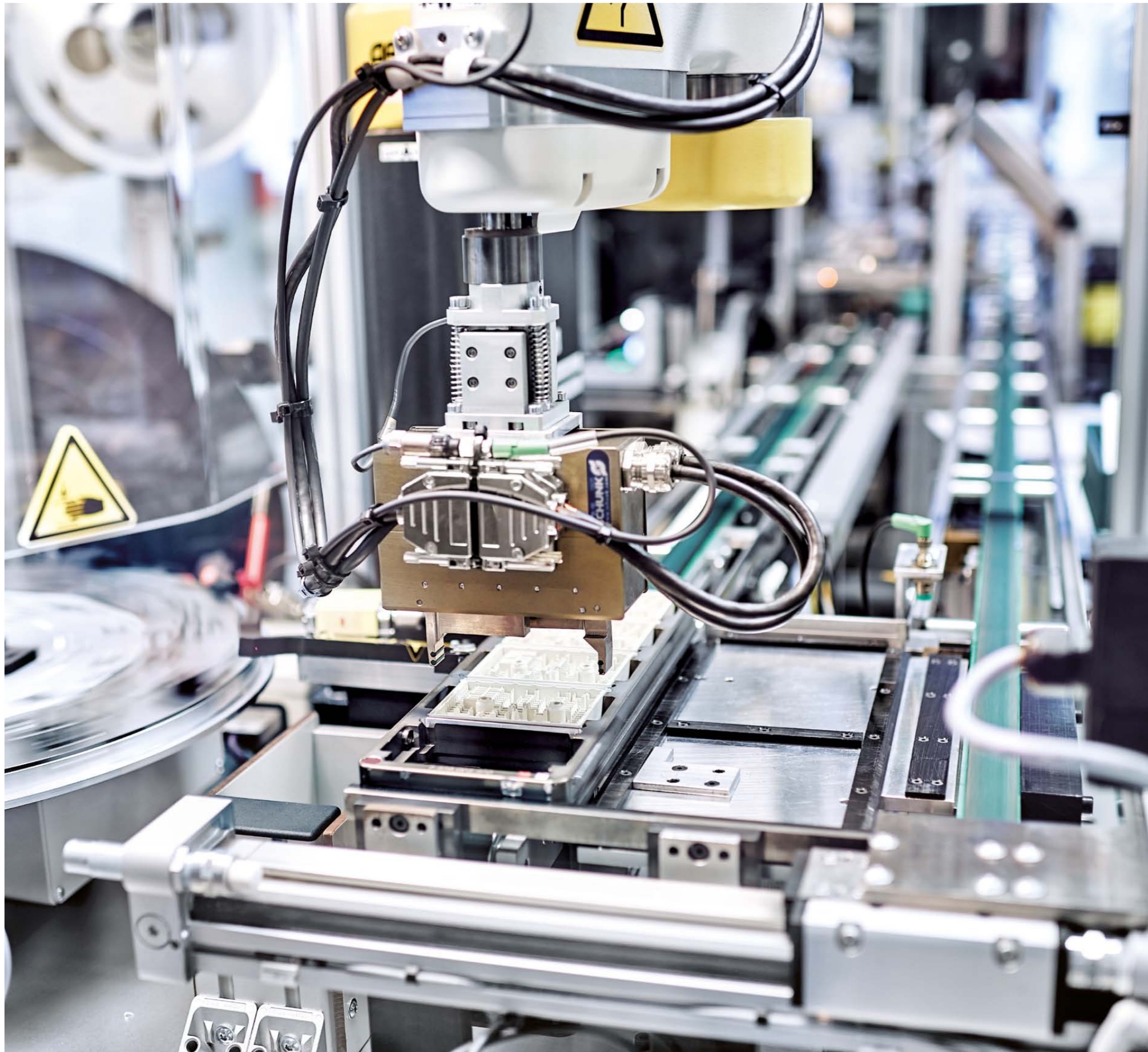
Key features

- Recommended for forced air and water cooling
- Compact case with high current capability
- Stud and disc types: forward drop selections available for easy paralleling
- Axial diodes for PCB mounting
- Standard and fast types



Further information:
www.semikron.com/discretes

Product Classes



- 1 **IGBT Modules**
- 2 **Silicon Carbide Modules**, Full SiC, Hybrid SiC
- 3 **MOSFET Modules**
- 4 **Thyristor/Diode Modules**
- 5 **Bridge Rectifier Modules**
- 6 **Intelligent Power Module – IPM**
- 7 **IGBT Driver**
- 8 **Stacks**
- 9 **Systems**
- 10 **Discretes**, Chips, Discrete Diodes, Discrete Thyristors
- 11 **Accessories**, Heatsinks, Fans, Thermal Paste

IGBT Modules for Maximum Performance

SEMIKRON offers IGBT (insulated-gate bipolar transistor) modules in SEMITRANS, SEMiX, SKiM, MiniSKiiP and SEMITOP packages in different topologies, current and voltage ratings. Starting from 4A to 1400A in voltage classes from 600V to 1700V.

The IGBT modules are used in a variety of applications offering key technologies like sintering, spring or pressfit contacts for easy and fast assembly.

Different topologies like CIB (converter inverter brake), halfbridge, H-bridge, 6-pack and 3-level are available in order to cover almost all application fields.

The latest IGBT chip and diode technologies offer optimized switching performance up to $T_j \text{ max} = 175^\circ\text{C}$.

Product	Page
MiniSKiiP	50
SEMITOP	55
SEMiX	62
SEMITRANS	70
SKiM 4/5	80
SKiM 63/93	82

For detailed information please refer to data sheets.

Further information:
www.semikron.com/igbt-modules

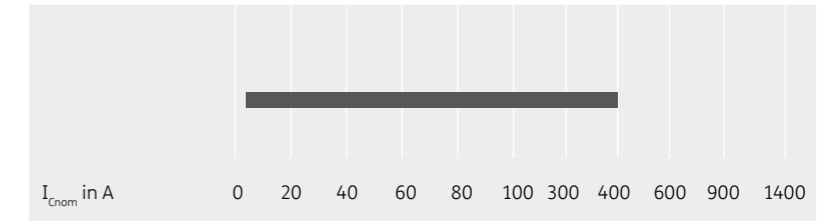
IGBT Modules

MiniSKiiP®

6-pack
3-level
H-bridge
CIB
half bridge
twin 6-pack



600V up to 1700V

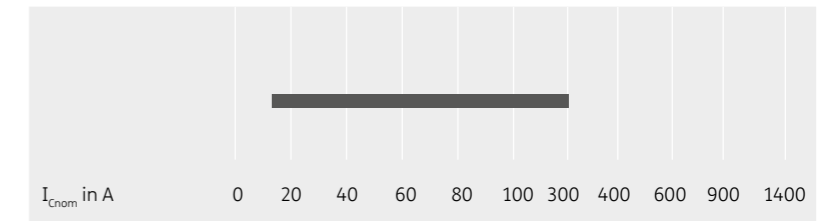


SEMITOP®

half bridge
6-pack
3-level
chopper
H-bridge
CIB



600V up to 1200V

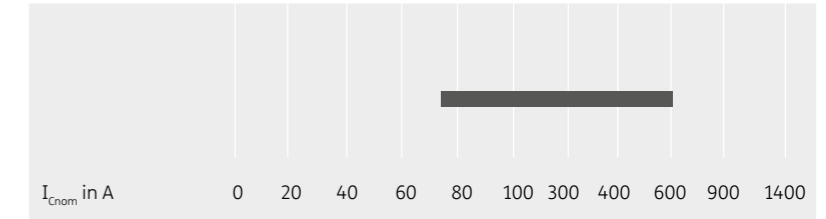


SEMiX®

half bridge
6-pack
3-level
chopper
buck-boost converter



600V up to 1700V

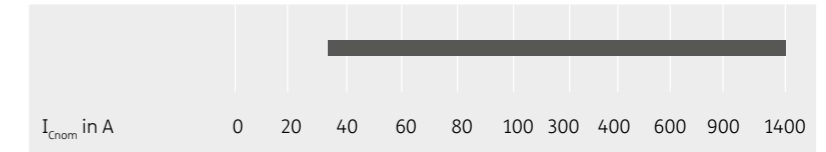


SEMITRANS®

half bridge
6-pack
chopper
single switch

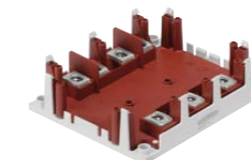


600V up to 1700V

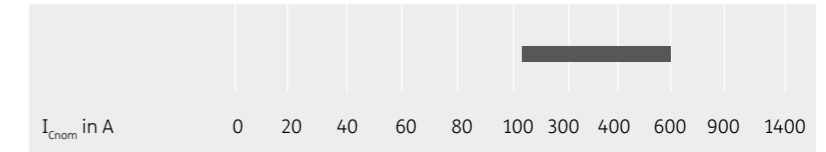


SKiM® 4/5

6-pack
3-level



600V up to 1700V

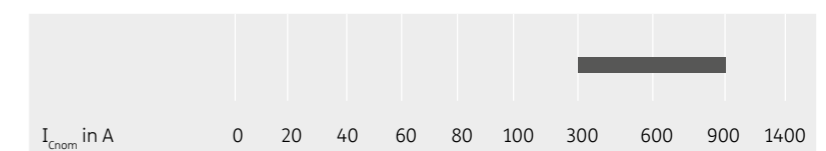


SKiM® 63/93

6-pack
chopper



600V up to 1700V



IGBT Modules / MiniSKiiP

Type	IGBT					Diode			Rectifier		Module	Circuit		
	$I_C @ T_s = 25^\circ\text{C}$ A	I_{Cnom} A	$V_{CE(sat)} @ T_j = 25^\circ\text{C typ.}$ V	E_{on} mJ	E_{off} mJ	$R_{th(j-c)}$ K/W	$I_F @ T_s = 25^\circ\text{C}$ A	$V_F @ T_j = 25^\circ\text{C typ.}$ V	E_{rr} mJ	$R_{th(j-c)}$ K/W			$I_{FSM} @ T_j = 25^\circ\text{C}$ A	$R_{th(j-c)}$ K/W
600V - IGBT3 (Trench)														
SKiiP 16GH066V1	65	50	1.45	1.7	1.7	0.95	56	1.50	1.3	1.6	-	-	II 1	
SKiiP 27GH066V1	88	75	1.45	2.7	3	0.75	77	1.50	1.8	1.2	-	-	II 2	
SKiiP 28GH066V1	112	100	1.45	3.4	3.5	0.6	112	1.30	3.3	0.8	-	-	II 2	
SKiiP 01NAC066V3	12	6	1.45	0.3	0.2	2.4	12	1.30	0.2	3	220	1.5	II 0	
SKiiP 02NAC066V3	20	10	1.45	0.5	0.3	2	20	1.30	0.5	2.5	220	1.5	II 0	
SKiiP 01NEC066V3	12	6	1.45	0.3	0.2	2.4	12	1.30	0.2	3	220	1.5	II 0	
SKiiP 02NEC066V3	20	10	1.45	0.5	0.3	2	20	1.30	0.5	2.5	220	1.5	II 0	
SKiiP 03NEC066V3	27	15	1.45	0.6	0.5	1.8	28	1.40	0.5	2.5	220	1.5	II 0	
SKiiP 11NAB066V1	12	6	1.45	0.3	0.2	2.4	12	1.30	0.2	3	220	1.5	II 1	
SKiiP 12NAB066V1	20	10	1.45	0.5	0.3	2	20	1.30	0.5	2.5	220	1.5	II 1	
SKiiP 13NAB066V1	27	15	1.45	0.6	0.5	1.8	28	1.40	0.5	2.5	220	1.5	II 1	
SKiiP 14NAB066V1	33	20	1.45	0.75	0.7	1.6	31	1.60	0.55	2.5	220	1.5	II 1	
SKiiP 25NAB066V1	43	30	1.45	0.9	1.2	1.35	39	1.50	1.1	2.1	370	1.5	II 2	
SKiiP 26NAB066V1	65	50	1.45	1.6	1.6	0.95	56	1.50	1.3	1.6	370	1.5	II 2	
SKiiP 37NAB066V1	88	75	1.45	2.7	3	0.75	77	1.50	1.8	1.2	700	0.9	II 3	
SKiiP 38NAB066V1	112	100	1.45	3.4	3.5	0.6	112	1.30	3.3	0.8	700	0.9	II 3	
SKiiP 02NEB066V3	20	10	1.45	0.5	0.3	2	20	1.30	0.5	2.46	220	1.5	II 0	
SKiiP 03NEB066V3	27	15	1.45	0.6	0.5	1.8	28	1.40	0.5	2.5	220	1.5	II 0	
SKiiP 25NEB066V1	43	30	1.45	0.9	1.2	1.35	39	1.50	1.1	2.1	370	1.5	II 2	
600V - NPT IGBT (Standard)														
SKiiP 11NAB065V1 ³⁾	12	6	2.00	0.3	0.2	1.9	12	1.30	0.2	2.5	220	1.5	II 1	
SKiiP 12NAB065V1 ³⁾	20	10	2.00	0.3	0.3	1.5	20	1.40	0.2	2.5	220	1.5	II 1	
SKiiP 13NAB065V1 ³⁾	24	15	2.00	0.6	0.3	1.4	26	1.40	0.4	2.2	220	1.5	II 1	
SKiiP 14NAB065V1 ³⁾	29	20	2.00	0.7	0.4	1.25	26	1.60	0.4	2.2	370	1.25	II 1	
650V - IGBT3 (Trench)														
SKiiP 26MLI07E3V1 ²⁾	98	75	1.45	2.8	2.8	0.6	75	1.54	1.4	1	-	-	II 2	
SKiiP 27MLI07E3V1 ²⁾	110	100	1.45	4.2	4.2	0.6	107	1.40	3.5	0.8	-	-	II 2	
SKiiP 28MLI07E3V1 ²⁾	135	150	1.45	5.5	5.6	0.55	126	1.40	5.5	0.75	-	-	II 2	
SKiiP 39MLI07E3V1 ²⁾	159	200	1.45	3.6	8.9	0.5	163	1.39	8.3	0.6	-	-	II 3	

Footnotes: 1) Sample status / 2) In production new / 3) Not for new designs

IGBT Modules / MiniSKiiP

Type	IGBT					Diode			Rectifier		Module	Circuit		
	$I_C @ T_s = 25^\circ\text{C}$ A	I_{Cnom} A	$V_{CE(sat)} @ T_j = 25^\circ\text{C typ.}$ V	E_{on} mJ	E_{off} mJ	$R_{th(j-c)}$ K/W	$I_F @ T_s = 25^\circ\text{C}$ A	$V_F @ T_j = 25^\circ\text{C typ.}$ V	E_{rr} mJ	$R_{th(j-c)}$ K/W			$I_{FSM} @ T_j = 25^\circ\text{C}$ A	$R_{th(j-c)}$ K/W
650V - IGBT3 (Trench)														
SKiiP 24GB07E3V1 ²⁾	185	150	1.45	2.2	5.1	0.33	161	1.54	3.7	0.45	-	-	II 2	
SKiiP 26GB07E3V1 ²⁾	229	200	1.45	4.4	7.4	0.28	235	1.40	4.5	0.35	-	-	II 2	
SKiiP 38GB07E3V1 ²⁾	287	300	1.45	5.5	10.6	0.25	310	1.40	5.1	0.28	-	-	II 3	
1200V - IGBT3 (Trench)														
SKiiP 11AC126V1 ³⁾	16	8	1.70	0.9	1	1.5	14	1.90	0.9	2.5	-	-	II 1	
SKiiP 12AC126V1 ³⁾	28	15	1.70	1.7	1.9	1.15	26	1.60	1.2	1.95	-	-	II 1	
SKiiP 13AC126V1 ³⁾	41	25	1.70	4.1	3.1	0.9	30	1.80	2.2	1.7	-	-	II 1	
SKiiP 23AC126V1 ³⁾	41	25	1.70	3.7	3.1	0.9	30	1.80	2.6	1.7	-	-	II 2	
SKiiP 24AC126V1 ³⁾	52	35	1.70	4.2	4.4	0.75	38	1.80	3.5	1.5	-	-	II 2	
SKiiP 25AC126V1 ³⁾	73	50	1.70	5.8	6.5	0.55	62	1.60	5.1	1	-	-	II 2	
SKiiP 26AC126V1 ³⁾	88	70	1.70	9	7.7	0.5	91	1.50	7.5	0.7	-	-	II 2	
SKiiP 37AC126V2 ³⁾	97	75	1.70	9.6	8.7	0.45	90	1.60	9.6	0.7	-	-	II 3	
SKiiP 38AC126V2 ³⁾	118	105	1.70	13.1	13	0.4	118	1.60	11.2	0.55	-	-	II 3	
SKiiP 39AC126V2 ³⁾	157	140	1.70	19.9	17.2	0.3	167	1.50	16.2	0.4	-	-	II 3	
SKiiP 11NAB126V1 ³⁾	16	8	1.70	0.8	1	1.5	14	1.90	0.9	2.5	220	1.5	II 1	
SKiiP 12NAB126V1 ³⁾	28	15	1.70	2	1.9	1.15	26	1.60	1.3	1.95	220	1.5	II 1	
SKiiP 23NAB126V1 ³⁾	41	25	1.70	3.5	3	0.9	30	1.80	2.5	1.7	370	1.25	II 2	
SKiiP 23NAB126V10 ³⁾	41	25	1.70	3.5	3	0.9	30	1.80	2.5	1.7	635	0.9	II 2	
SKiiP 24NAB126V1 ³⁾	52	35	1.70	4.6	4	0.75	38	1.80	3.3	1.5	370	1.25	II 2	
SKiiP 24NAB126V10 ³⁾	52	35	1.70	4.6	4	0.75	38	1.80	3.3	1.5	635	0.9	II 2	
SKiiP 35NAB126V1 ³⁾	73	50	1.70	6.5	6.1	0.55	62	1.60	4.7	1	700	0.9	II 3	
SKiiP 36NAB126V1 ³⁾	88	70	1.70	9	7.7	0.5	91	1.50	7.5	0.7	700	0.9	II 3	
1200V - IGBT4 (Trench)														
SKiiP24GB12T4V1 ²⁾	170	150	1.85	10.8	15.6	0.32	157	2.17	10.3	0.41	-	-	II 2	
SKiiP26GB12T4V1 ²⁾	224	200	1.80	13.6	22.1	0.25	194	2.20	13.4	0.34	-	-	II 2	
SKiiP38GB12E4V1 ²⁾	329	300	1.85	19.1	34.6	0.17	267	2.20	21.5	0.26	-	-	II 3	
SKiiP39GB12E4V1 ¹⁾	388	400	1.80	24	48.5	0.16	330	2.20	28.9	0.22	-	-	II 3	
SKiiP 26GH12T4V11	90	70	1.85	9.5	7.1	0.55	83	2.17	5.6	0.75	-	-	II 2	

Footnotes: 1) Sample status / 2) In production new / 3) Not for new designs

IGBT Modules / MiniSKiiP

Type	IGBT						Diode			Rectifier		Module	Circuit	
	$I_c @ T_s = 25^\circ\text{C}$ A	I_{cnom} A	$V_{CE(sat)} @ T_j = 25^\circ\text{C typ.}$ V	E_{on} mJ	E_{off} mJ	$R_{th(j-c)}$ K/W	$I_f @ T_s = 25^\circ\text{C}$ A	$V_f @ T_j = 25^\circ\text{C typ.}$ V	E_{rr} mJ	$R_{th(j-c)}$ K/W	$I_{FSM} @ T_j = 25^\circ\text{C}$ A			$R_{th(j-c)}$ K/W
1200V - IGBT4 (Trench)														
SKiiP 11AC12T4V1	12	8	1.85	0.87	0.75	1.84	15	2.33	0.53	2.53	-	-	II 1	
SKiiP 12AC12T4V1	18	15	1.85	1.65	1.5	1.3	23	2.38	0.79	1.92	-	-	II 1	
SKiiP 13AC12T4V1	41	25	1.85	3.7	2.4	1	32	2.41	1.64	1.52	-	-	II 1	
SKiiP 23AC12T4V1	41	25	1.85	3.7	2.4	1	32	2.41	1.64	1.52	-	-	II 2	
SKiiP 24AC12T4V1	52	35	1.85	3.7	3	0.85	44	2.30	2.3	1.2	-	-	II 2	
SKiiP 25AC12T4V1	69	50	1.85	6	4.5	0.71	60	2.22	3.2	0.95	-	-	II 2	
SKiiP 26AC12T4V1	90	70	1.85	9.5	7.1	0.55	83	2.17	5.6	0.75	-	-	II 2	
SKiiP 37AC12T4V1	90	75	1.85	11.5	6.8	0.58	83	2.17	5.5	0.75	-	-	II 3	
SKiiP 38AC12T4V1	115	100	1.80	13.7	9.7	0.48	100	2.20	6.5	0.66	-	-	II 3	
SKiiP 39AC12T4V1	167	150	1.85	22.5	14	0.33	136	2.14	11.4	0.52	-	-	II 3	
SKiiP 02NAC12T4V1	6	4	1.85	0.66	0.37	2.49	7.5	1.82	0.34	2.53	220	1.5	II 0	
SKiiP 03NAC12T4V1	7.5	8	1.85	0.9	0.7	1.84	9	2.33	0.5	2.53	220	1.5	II 0	
SKiiP 10NAB12T4V1	6	4	1.85	0.66	0.37	2.49	7.5	1.82	0.34	2.53	220	1.5	II 1	
SKiiP 11NAB12T4V1	12	8	1.85	0.87	0.74	1.84	15	2.33	0.57	2.53	220	1.5	II 1	
SKiiP 12NAB12T4V1	28	15	1.85	1.4	1.3	1.3	23	2.40	1.1	1.92	220	1.5	II 1	
SKiiP 23NAB12T4V1	37	25	1.85	2.65	2.3	1.2	32	2.40	1.6	1.52	370	1.25	II 2	
SKiiP 23NAB12T4V10	37	25	1.85	2.65	2.3	1.2	30	2.41	1.6	1.52	700	0.9	II 2	
SKiiP 24NAB12T4V1	48	35	1.85	4.3	3.25	1	44	2.30	2.4	1.2	370	1.25	II 2	
SKiiP 24NAB12T4V10	48	35	1.85	4.3	3.25	1	44	2.30	2.4	1.2	700	0.9	II 2	
SKiiP 34NAB12T4V1	52	35	1.85	4.3	3.3	0.85	44	2.30	2.4	1.2	370	1.25	II 3	
SKiiP 34NAB12T4V10 ¹⁾	52	35	1.85	4.3	3.3	0.85	44	2.30	2.4	1.2	700	0.9	II 3	
SKiiP 35NAB12T4V1	69	50	1.85	6	4.7	0.71	60	2.25	3.4	0.95	700	0.9	II 3	
SKiiP 37NAB12T4V1	90	75	1.85	9.7	6.8	0.58	83	2.17	4.9	0.75	700	0.9	II 3	
SKiiP 37NAB12T4V10	90	75	1.85	9.7	6.8	0.58	83	2.17	4.9	0.75	850	0.85	II 3	
SKiiP 38NAB12T4V1	115	100	1.80	11.2	10	0.48	99	2.20	6.5	0.66	1000	0.7	II 3	
SKiiP 12ACC12T4V10 ²⁾	28	15	1.85	2.1	1.6	1.3	23	2.38	0.8	1.92	60	2.5	II 1	
SKiiP 23ACC12T4V10 ²⁾	41	25	1.85	3.5	2.7	1	32	2.41	1.15	1.52	65	1.92	II 2	
SKiiP 24ACC12T4V10 ²⁾	52	35	1.85	3.9	3.5	0.85	44	2.30	2.3	1.2	100	1.52	II 2	
SKiiP 39TMLI12T4V2 ²⁾	235	200	1.80	7.5	12.8	0.23	194	2.20	9.7	0.34	-	-	II 3	
SKiiP 39MLI12T4V1 ¹⁾	167	150	1.85	11.1	16.9	0.33	134	2.14	10.9	0.53	-	-	II 3	

Footnotes: 1) Sample status / 2) In production new / 3) Not for new designs

IGBT Modules / MiniSKiiP

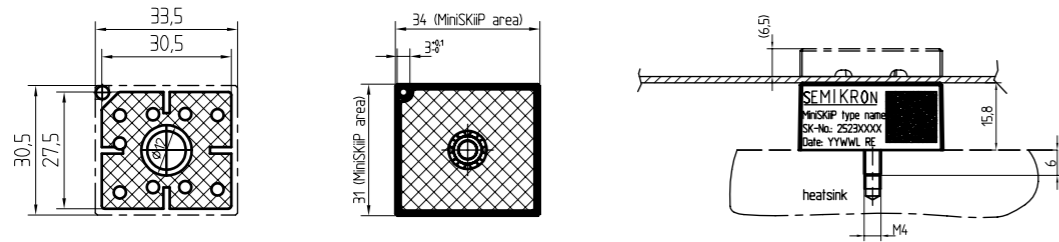
Type	IGBT						Diode			Rectifier		Module	Circuit	
	$I_c @ T_s = 25^\circ\text{C}$ A	I_{cnom} A	$V_{CE(sat)} @ T_j = 25^\circ\text{C typ.}$ V	E_{on} mJ	E_{off} mJ	$R_{th(j-c)}$ K/W	$I_f @ T_s = 25^\circ\text{C}$ A	$V_f @ T_j = 25^\circ\text{C typ.}$ V	E_{rr} mJ	$R_{th(j-c)}$ K/W	$I_{FSM} @ T_j = 25^\circ\text{C}$ A			$R_{th(j-c)}$ K/W
1200V - IGBT4 (Trench)														
SKiiP 39GA12T4V1 ²⁾	167	150	1.85	22.5	14	0.33	136	2.14	11.4	0.52	-	-	II 3	
1200V - IGBT4 (Fast Trench)														
SKiiP 35TMLI12F4V2 ¹⁾	54	40	2.05	-	-	0.75	44	2.30	-	1.2	-	-	II 3	
SKiiP 28TMLI12F4V1 ²⁾	93	80	2.05	3.4	2.2	0.49	76	2.17	1.7	0.86	-	-	II 2	
SKiiP 29TMLI12F4V1 ¹⁾	153	150	2.05	-	-	0.33	148	2.17	-	0.45	-	-	II 2	
1700V - IGBT3 (Trench)														
SKiiP 38AC176V2 ²⁾	-	100	2.00	23.8	32.2	-	-	1.76	26.2	-	-	-	II 3	
SKiiP 24NAB176V1 ²⁾	38	29	2.00	5.1	6.3	0.91	48	2.00	4.9	1.14	370	1.32	II 2	
SKiiP 34NAB176V3 ²⁾	67	58	2.00	11.2	12.8	0.57	66	2.06	6.6	0.84	635	0.86	II 3	
1700V - IGBT4 (Trench)														
SKiiP 22GB17E4V1 ²⁾	117	100	1.90	22.2	30.7	0.43	91	2.00	20.9	0.7	-	-	II 2	
SKiiP 24GB17E4V1 ²⁾	177	150	1.90	26	46	0.28	149	2.00	32.4	0.41	-	-	II 2	
SKiiP 36GB17E4V1 ²⁾	224	200	1.90	37	66	0.23	193	2.00	47	0.32	-	-	II 3	
SKiiP 38GB17E4V1 ²⁾	341	300	1.90	47	102	0.15	267	2.00	69	0.24	-	-	II 3	

Footnotes: 1) Sample status / 2) In production new / 3) Not for new designs

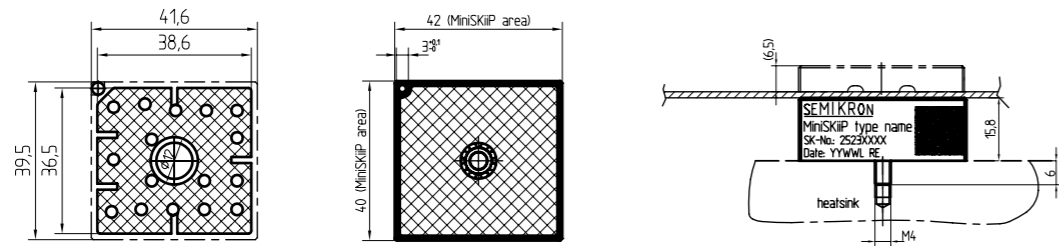
IGBT Modules / MiniSKiIP

Cases

MiniSKiIP II 0

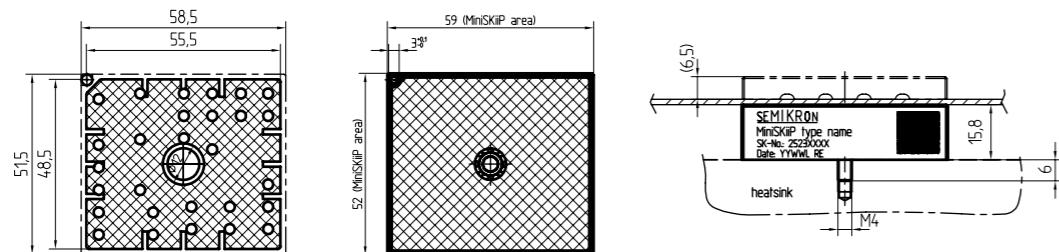


MiniSKiIP II 1



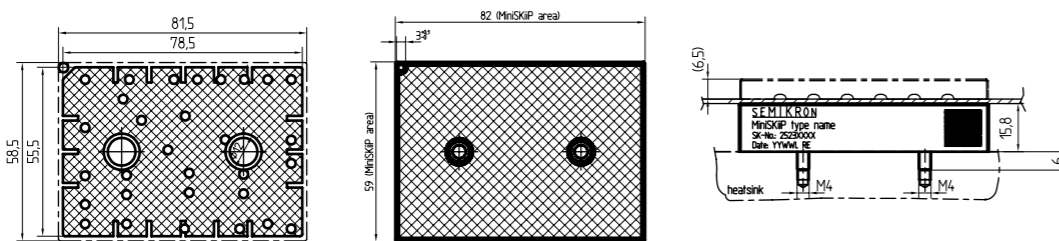
pin configuration depends on circuit details in data sheet

MiniSKiIP II 2



pin configuration depends on circuit details in data sheet

MiniSKiIP II 3



pin configuration depends on circuit details in data sheet

Dimensions in mm

IGBT Modules / SEMITOP

Type	IGBT					Diode					Rectifier		Module		
	$I_c @ T_s = 25^\circ\text{C}$	I_{cnom}	$V_{CE(sat)} @ T_j = 25^\circ\text{C typ.}$	E_{on}	E_{off}	$R_{th(j-c)}$	$I_F @ T_s = 25^\circ\text{C}$	$V_F @ T_j = 25^\circ\text{C typ.}$	E_{rr}	$R_{th(j-s)}$	$R_{th(j-c)}$	$I_{FSM} @ T_j = 25^\circ\text{C}$	Case	Topology Picture	
	A	A	V	mJ	mJ	K/W	A	V	mJ	K/W	K/W	A			
600V - IGBT3 (Trench)															
SK 75 GB 066 T ²⁾	77	75	1.45	3.1	2.8	0.94	62	1.35	0.85	1.55	-	-	3		
SK 100 GB 066 T ²⁾	96	100	1.45	7	6	0.78	108	1.35	1.7	0.91	-	-	3		
SK 150 GB 066 T ²⁾	124	150	1.45	6.25	5.7	0.55	135	1.35	1.7	0.73	-	-	3		
SK 30 GBB 066 T ²⁾	40	30	1.45	0.97	1.77	1.65	36	1.45	0.26	2.1	-	-	3		
SK 50 GBB 066 T ²⁾	60	50	1.45	2.2	1.73	1.11	56	1.50	0.72	1.7	-	-	3		
SK 75 GBB 066 T ²⁾	77	75	1.45	3.1	2.8	0.94	77	1.35	0.85	1.55	-	-	3		
SK 20 MLI 066	30	20	1.45	0.4	1.07	1.95	30	1.60	0.2	2.46	-	-	3		
SK 30 MLI 066	40	30	1.45	0.97	1.77	1.65	37	1.50	0.26	2.3	-	-	3		
SK 30 MLI 066p ¹⁾	37	30	1.45	0.97	1.77	1.65	34	1.50	0.26	2.3	-	-	3p		
SK 50 MLI 066	60	50	1.45	1.46	2.02	1.11	56	1.50	1.07	1.7	-	-	3		
SK 75 MLI 066 T	83	75	1.45	1.7	2.8	0.75	92	1.50	1.1	1.2	-	-	4		
SK 100 MLI 066 T	105	100	1.45	2.5	4.2	0.65	110	1.35	1.9	0.9	-	-	4		
SK 150 MLI 066 T	151	150	1.45	2.7	5.9	0.55	115	1.50	2.6	0.72	-	-	4		
SK 75 GD 066 T	83	75	1.45	3.1	2.8	0.75	92	1.35	0.85	1.2	-	-	4		
SK 100 GD 066 T	105	100	1.45	7	6	0.65	99	1.30	1.7	0.8	-	-	4		
SK 150 GD 066 T	151	150	1.45	6.25	5.7	0.55	198	1.30	1.7	0.54	-	-	4		
SK 200 GD 066 T	174	200	1.45	13.9	12	0.45	99	1.30	3.4	0.8	-	-	4		
SK 20 GD 066 ET ²⁾	30	20	1.45	0.34	0.63	1.95	31	1.45	0.2	2.46	-	-	3		
SK 30 GD 066 ET ²⁾	40	30	1.45	0.97	1.77	1.65	36	1.45	0.26	2.1	-	-	3		
SK 50 GD 066 ET ²⁾	60	50	1.45	2.2	1.73	1.11	56	1.50	0.72	1.7	-	-	3		
SK 20 DGDL 066 ET ²⁾	30	20	1.45	0.3	0.6	1.95	27	1.40	0.2	2.46	2.15	220	3		
SK 30 DGDL 066 ET	40	30	1.45	0.55	1.15	1.65	36	1.50	0.53	2.3	1.7	370	3		
SK 50 DGDL 066 T	69	50	1.45	2.2	1.74	0.95	54	1.35	0.73	1.6	1.5	370	4		
SK 75 DGDL 066 T	81	75	1.45	3.1	2.8	0.75	64	1.35	0.9	1.2	0.9	700	4		
SK 100 DGDL 066 T	106	100	1.45	4.4	3.5	0.65	99	1.10	1.45	0.8	0.9	700	4		
600V - NPT IGBT (Standard)															
SK 45 GAL 063	45	50	2.10	1.4	1.2	1	57	1.45	0.25	1.2	-	-	2		

Footnotes: 1) Sample status / 2) In production new / 3) Not for new designs

IGBT Modules / SEMITOP

Type	IGBT					Diode			Rectifier			Module	Topology Picture	
	$I_C @ T_S = 25^\circ\text{C}$ A	I_{Chem} A	$V_{\text{CE(ant)}} @ T_J = 25^\circ\text{C typ.}$ V	E_{on} mJ	E_{off} mJ	$R_{\text{th(j-c)}}$ K/W	$I_F @ T_S = 25^\circ\text{C}$ A	$V_F @ T_J = 25^\circ\text{C typ.}$ V	E_{rr} mJ	$R_{\text{th(j-c)}}$ K/W	$R_{\text{th(j-c)}}$ K/W			$I_{\text{FSM}} @ T_J = 25^\circ\text{C}$ A
600V - NPT IGBT (Standard)														
SK 45 GAR 063	45	50	2.10	1.4	1.2	1	57	1.45	0.25	1.2	-	-	2	
SK 80 GM 063	81	100	2.00	3	2.3	0.6	105	1.30	0.2	1.2	-	-	2	
SK 45 GB 063	45	50	2.10	1.4	1.2	1	57	1.45	0.25	1.2	-	-	2	
SK 80 GB 063	81	100	2.10	4	3	0.6	79	1.40	1.2	0.9	-	-	3	
SK 15 GH 063	20	15	2.00	0.71	0.4	1.9	20	1.45	0.45	1.2	-	-	2	
SK 25 GH 063	30	30	2.10	1.1	0.8	1.4	36	1.45	0.25	1.7	-	-	2	
SK 45 GH 063	45	50	2.10	1.4	1.2	1	57	1.30	0.9	1.2	-	-	3	
SK 13 GD 063	18	10	2.10	0.6	0.4	2	22	1.45	0.1	2.3	-	-	3	
SK 25 GD 063	30	30	2.10	1.3	0.9	1.4	36	1.45	0.25	1.7	-	-	3	
SK 45 GD 063	45	50	2.10	1.4	1.2	1	36	1.45	0.25	1.7	-	-	3	
600V - NPT IGBT (Ultrafast)														
SK 50 GAL 065 ³⁾	54	60	2.00	1.1	0.7	0.85	57	1.30	0.2	1.2	-	-	2	
SK 50 GAR 065 ³⁾	54	60	2.00	1.1	0.7	0.85	57	1.30	0.2	1.2	-	-	2	
SK 55 GARL 065 E	54	60	1.70	1.1	0.76	0.85	36	1.45	0.9	1.7	-	-	3	
SK 75 GARL 065 E	80	90	1.70	2.71	2.75	0.6	57	1.30	0.2	1.2	-	-	3	
SK 50 GB 065	54	60	2.00	1.1	0.7	0.85	64	1.45	0.55	1.1	-	-	2	
SK 50 GARL 065 F ²⁾	54	60	1.70	1.03	0.8	0.85	82	1.70	-	2.3	-	-	2	
SK 50 GARL 065 USA ³⁾	54	60	1.70	1.07	0.76	0.85	64	1.40	-	2.3	-	-	2	

Footnotes: 1) Sample status / 2) In production new / 3) Not for new designs

IGBT Modules / SEMITOP

Type	IGBT					Diode			Rectifier			Module	Topology Picture	
	$I_C @ T_S = 25^\circ\text{C}$ A	I_{Chem} A	$V_{\text{CE(ant)}} @ T_J = 25^\circ\text{C typ.}$ V	E_{on} mJ	E_{off} mJ	$R_{\text{th(j-c)}}$ K/W	$I_F @ T_S = 25^\circ\text{C}$ A	$V_F @ T_J = 25^\circ\text{C typ.}$ V	E_{rr} mJ	$R_{\text{th(j-c)}}$ K/W	$R_{\text{th(j-c)}}$ K/W			$I_{\text{FSM}} @ T_J = 25^\circ\text{C}$ A
600V - NPT IGBT (Ultrafast)														
SK 50 GH 065 F ²⁾	54	60	2.00	1.07	1.76	0.85	82	1.10	0.42	1.1	-	-	3	
SK 9 DGD 065 ET	12	6	2.00	0.22	0.12	2.6	20	1.35	0.31	2.7	2.15	220	3	
SK 20 DGD 065 ET	26	20	2.00	0.66	0.4	1.7	25	1.60	-	1.7	1.7	370	3	
SK 35 GD 065 ET	45	50	2.00	1.3	0.6	1	36	1.90	0.9	1.7	-	-	3	
SK 10 BGD 065 ET	17	6	2.00	0.18	0.13	2	22	1.30	0.18	2.3	2.7	220	3	
SK 9 BGD 065 ET	12	6	2.00	0.22	0.12	2.6	20	1.35	0.31	2.7	2.15	220	3	
SK 10 DGDL 065 ET	17	6	2.00	0.18	0.13	2	22	1.30	0.18	2.3	2.7	220	3	
SK 20 DGDL 065 ET	24	20	2.00	0.69	0.39	1.7	25	1.60	-	1.7	2	220	3	
650V - IGBT4 (Fast Trench)														
SK100MLI07F3TD1p ¹⁾	92	100	1.85	2	3.36	0.65	118	1.37	1.9	0.72	-	-	4p	
SK150MLI07F3TD1p ¹⁾	119	150	1.85	3	5.04	0.55	118	1.37	1.9	0.72	-	-	4p	
SK50MLI07F3D1p ¹⁾	51	50	1.85	1	1.18	1.11	56	1.37	0.95	1.55	-	-	3p	
SK100GD07F3TD1 ²⁾	104	100	1.85	3.92	2.1	0.54	95	1.35	0.92	0.85	-	-	4	
1200V - IGBT3 (Trench)														
SK 50 GD 126 T	68	50	1.70	4.6	6.3	0.6	62	1.35	3.6	1	-	-	4	
SK 75 GD 126 T	88	75	1.70	11.3	10	0.5	91	1.46	6	0.7	-	-	4	
SK 100 GD 126 T	114	100	1.70	9.8	11.7	0.4	118	1.50	7.3	0.55	-	-	4	

Footnotes: 1) Sample status / 2) In production new / 3) Not for new designs

IGBT Modules / SEMITOP

Type	IGBT						Diode			Rectifier			Module	Topology Picture
	$I_C @ T_s = 25^\circ\text{C}$	I_{Cnom}	$V_{CE(EMT)} @ T_j = 25^\circ\text{C typ.}$	E_{on}	E_{off}	$R_{th(j-c)}$	$I_F @ T_s = 25^\circ\text{C}$	$V_F @ T_j = 25^\circ\text{C typ.}$	E_{rr}	$R_{th(j-c)}$	$R_{th(j-c)}$	$I_{FSM} @ T_j = 25^\circ\text{C}$		
	A	A	V	mJ	mJ	K/W	A	V	mJ	K/W	K/W	A		
1200V - IGBT3 (Trench)														
SK 10 GD 126 ET	15	8	1.70	1	1	2	25	1.90	1.4	2.1	-	-	3	
SK 15 GD 126 ET	22	15	1.70	2	1.8	1.6	25	1.60	1.4	2.1	-	-	3	
SK 25 GD 126 ET	32	25	1.70	3.3	3.1	1.2	28	1.80	2.1	1.9	-	-	3	
SK 35 GD 126 ET	40	35	1.70	4.6	4.3	1.05	34	1.80	2.9	1.7	-	-	3	
SK 10 DGDL 126 ET	15	8	1.70	1	1	2	25	1.90	1.4	2.1	2.7	220	3	
SK 15 DGDL 126 ET	22	15	1.70	2	1.8	1.6	25	1.60	1.1	2.1	2	220	3	
SK 25 DGDL 126 T	41	25	1.70	2.8	3.1	0.9	30	1.50	2	1.7	1.5	370	4	
SK 35 DGDL 126 T	52	35	1.70	3.7	4.8	0.75	38	1.50	3	1.5	1.25	370	4	
SK 50 DGDL 126 T	68	50	1.70	4.6	6.3	0.6	62	1.35	3.6	1	0.9	700	4	
1200V - IGBT4 (Trench)														
SK 35 GAL 12T4	44	35	1.85	3.27	3.3	1.21	38	2.30	1.46	1.55	-	225	2	
SK 35 GAR 12T4 ¹⁾	44	35	1.85	3.27	3.3	1.21	38	2.30	1.46	1.55	-	225	2	
SK 25 GB 12T4 ²⁾	37	25	1.85	2.27	2.7	1.31	30	2.40	1.28	1.91	-	-	2	
SK 35 GB 12T4 ²⁾	44	35	1.85	3.27	3.3	1.21	40	2.30	1.46	1.55	-	-	2	
SK 50 GB 12T4 T ²⁾	71	50	1.85	8.3	5	0.9	50	2.20	2.15	1.24	-	-	3	
SK 75 GB 12T4 T ²⁾	80	75	1.85	13.6	8.2	0.74	70	2.10	3.39	0.97	-	-	3	
SK 100 GB 12T4 T ²⁾	100	100	1.85	16.6	10	0.6	85	2.25	5.2	0.87	-	-	3	
SK 50 GH 12T4 T ²⁾	75	50	1.80	8.3	5	0.65	56	2.20	2.15	1.05	-	-	4	
SK 100 GH 12T4 T ²⁾	126	100	1.80	16.6	10	0.43	102	2.20	5.2	0.62	-	-	4	

Footnotes: 1) Sample status / 2) In production new / 3) Not for new designs

IGBT Modules / SEMITOP

Type	IGBT						Diode			Rectifier			Module	Topology Picture
	$I_C @ T_s = 25^\circ\text{C}$	I_{Cnom}	$V_{CE(EMT)} @ T_j = 25^\circ\text{C typ.}$	E_{on}	E_{off}	$R_{th(j-c)}$	$I_F @ T_s = 25^\circ\text{C}$	$V_F @ T_j = 25^\circ\text{C typ.}$	E_{rr}	$R_{th(j-c)}$	$R_{th(j-c)}$	$I_{FSM} @ T_j = 25^\circ\text{C}$		
	A	A	V	mJ	mJ	K/W	A	V	mJ	K/W	K/W	A		
1200V - IGBT4 (Trench)														
SK 25 GH 12T4 ²⁾	35	25	1.85	2.27	2.7	1.31	28	2.41	1.28	1.91	-	-	3	
SK 50 GD 12T4 T ²⁾	75	50	1.85	8.3	5	0.65	60	2.20	2.15	0.97	-	-	4	
SK 50 GD 12T4 Tp ¹⁾	75	50	1.85	8.3	5	0.65	60	2.22	2.15	0.97	-	-	4p	
SK 75 GD 12T4 T ²⁾	102	75	1.85	13.6	8.2	0.51	83	2.20	3.38	0.75	-	-	4	
SK 75 GD 12T4 Tp ¹⁾	99	75	1.85	13.6	8.2	0.51	83	2.17	3.38	0.75	-	-	4p	
SK 100 GD 12T4 T ²⁾	126	100	1.85	16.6	10	0.43	102	2.25	5.2	0.62	-	-	4	
SK 10 GD 12T4 ET ²⁾	17	8	1.85	0.41	0.76	2.2	15	2.38	0.41	2.7	-	-	3	
SK 15 GD 12T4 ET ²⁾	27	15	1.85	0.83	1.52	1.65	21	2.38	0.82	2.34	-	-	3	
SK 25 GD 12T4 ET ²⁾	37	25	1.85	2.27	2.7	1.31	30	2.40	1.28	1.91	-	-	3	
SK 25 GD 12T4 ETp ¹⁾	37	25	1.85	2.27	2.7	1.31	28	2.41	1.28	1.91	-	-	3p	
SK 35 GD 12T4 ET ²⁾	44	35	1.85	3.27	3.3	1.21	40	2.30	1.46	1.55	-	-	3	
SK 10 DGDL 12T4 ET ²⁾	17	8	1.85	0.41	0.75	2.2	15	2.38	0.41	2.7	2	220	3	
SK 15 DGDL 12T4 ET ²⁾	27	15	1.85	0.82	1.52	1.65	21	2.38	0.82	2.34	2	220	3	
SK 25 DGDL 12T4 T ²⁾	45	25	1.85	2.27	2.7	0.96	30	2.40	-	1.7	1.25	370	4	
SK 35 DGDL 12T4 T ²⁾	58	35	1.85	3.27	3.3	0.8	46	2.30	1.46	1.37	1.25	370	4	
SK 50 DGDL 12T4 T ²⁾	75	50	1.85	8.3	5	0.65	60	2.22	2.15	0.97	0.9	700	4	
SK35MLI12T4p	43	35	1.85	1.6	3.27	1.21	38	2.30	1.73	1.55	-	-	3p	
SK70MLI12T4p	90	70	1.85	1.6	3.27	0.55	78	2.30	1.73	0.73	-	-	4p	
1200V - IGBT4 (Fast Trench)														
SK25GAR12F4TSC ¹⁾	37	25	2.05	2.27	2.7	1.01	30	1.40	1.46	1.38	-	225	2	
SK150TMLI12F4Tp ¹⁾	148	150	2.05	7.2	4.5	0.35	103	2.20	4	0.62	-	-	4p	
SK80TMLI12F4Tp ¹⁾	88	80	2.05	1.64	3.7	0.54	83	2.17	3.56	0.75	-	-	3p	

Footnotes: 1) Sample status / 2) In production new / 3) Not for new designs

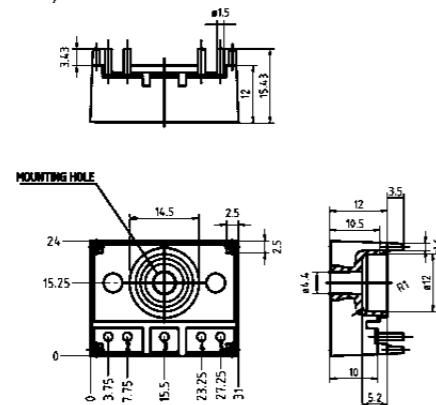
Type	IGBT		Diode		Rectifier			Module						
	$I_C @ T_s = 25^\circ\text{C}$	I_{Cnom}	$V_{CE(EM)} @ T_j = 25^\circ\text{C typ.}$	E_{on}	E_{off}	$R_{th(j-c)}$	$I_F @ T_s = 25^\circ\text{C}$	$V_F @ T_j = 25^\circ\text{C typ.}$	E_{rr}	$R_{th(j-c)}$	$R_{th(j-c)}$	$I_{FSM} @ T_j = 25^\circ\text{C}$	Case	Topology Picture
	A	A	V	mJ	mJ	K/W	A	V	mJ	K/W	K/W	A		
1200V - NPT IGBT (Ultrafast)														
SK 60 GAL 125	51	50	3.20	8.36	3.32	0.6	43	2.00	2	1.16	-	-	2	
SK 60 GAR 125 ³⁾	51	50	3.20	8.36	3.32	0.6	43	2.00	2	1.16	-	-	2	
SK 60 GB 125 ²⁾	51	50	3.20	8.36	3.32	0.6	57	-	2	0.9	-	-	3	
SK 80 GB 125 T	85	75	3.20	9.9	5	0.32	90	2.00	1	0.65	-	-	3	

Footnotes: 1) Sample status / 2) In production new / 3) Not for new designs

Cases

SEMISTOP 1

dimensions in mm
tolerance system: ISO 2768-m

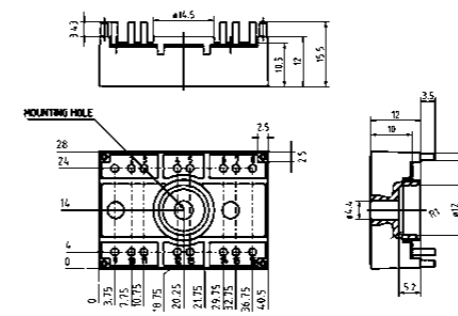


Dimensions in mm

Cases

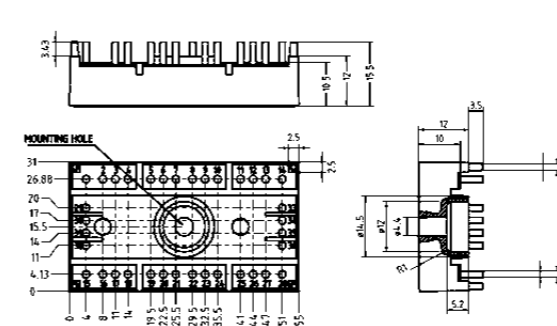
SEMISTOP 2

dimensions in mm
tolerance system: ISO 2768-m



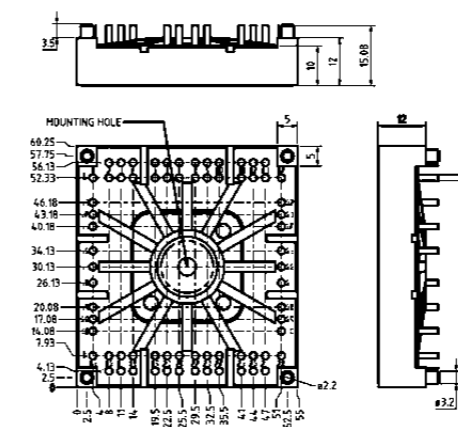
SEMISTOP 3

dimensions in mm
tolerance system: ISO 2768-m



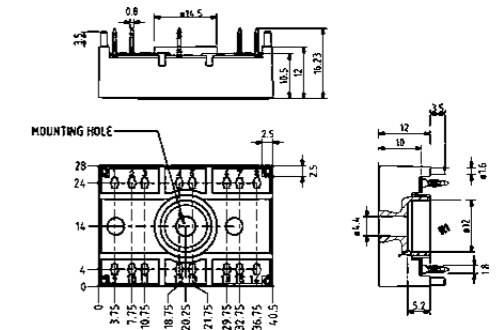
SEMISTOP 4

dimensions in mm
tolerance system: ISO 2768-m

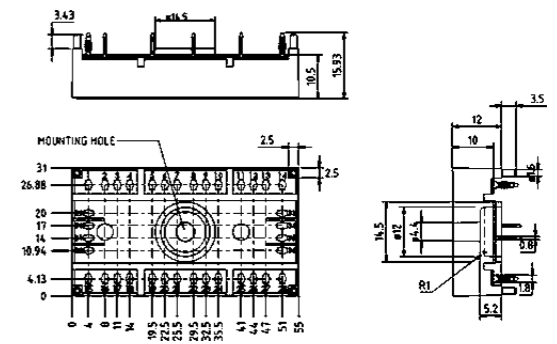


Dimensions in mm

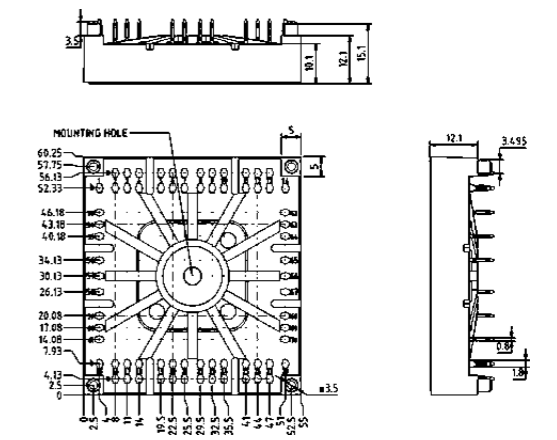
SEMISTOP 2 Press-Fit



SEMISTOP 3 Press-Fit



SEMISTOP 4 Press-Fit



IGBT Modules / SEMiX

Type	IGBT						Diode				Module		Circuit
	$I_c @ T_c = 25^\circ\text{C}$ A	I_{cnom} A	$V_{CE(EMT)} @ T_j = 25^\circ\text{C typ.}$ V	E_{on} mJ	E_{off} mJ	$R_{th(j-c)}$ K/W	$I_f @ T_c = 25^\circ\text{C}$ A	$V_f @ T_j = 25^\circ\text{C typ.}$ V	E_{rr} mJ	$R_{th(j-c)}$ K/W	Case	$R_{th(c-s)}$ K/W	
600V - IGBT3 (Trench)													
SEMIX402GAL066HDs	502	400	1.45	22	24	0.12	543	1.40	10	0.15	2s	0.045	
SEMIX603GAL066HDs	720	600	1.45	12	43	0.087	771	1.40	13	0.11	3s	0.04	
SEMIX402GAR066HDs													
SEMIX603GAR066HDs	720	600	1.45	12	43	0.087	771	1.40	13	0.11	3s	0.04	
SEMIX202GB066HDs													
SEMIX302GB066HDs	379	300	1.45	12	15	0.16	419	1.40	7.5	0.19	2s	0.045	
SEMIX402GB066HDs													
SEMIX603GB066HDs	720	600	1.45	12	43	0.087	771	1.40	13	0.11	3s	0.04	
SEMIX101GD066HDs													
SEMIX151GD066HDs	200	150	1.45	3.8	6.1	0.29	219	1.40	5.8	0.36	13	0.04	
SEMIX201GD066HDs	258	200	1.45	5	8	0.23	284	1.40	7.5	0.28	13	0.04	
650V - IGBT4 (Trench)													
SEMIX305GD07E4 ¹⁾	325	300	1.55	5.5	21	0.2	335	1.40	5	0.25	5p	t.b.d	
SEMIX155MLI07E4²⁾													
SEMIX205MLI07E4 ²⁾	262	200	1.55	2	10	0.22	255	1.40	4.5	0.31	5p	0.008	
SEMIX305MLI07E4 ²⁾	388	300	1.55	2.5	16	0.15	294	1.40	7.7	0.25	5p	0.005	
SEMIX405MLI07E4 ²⁾	498	400	1.55	6.1	20	0.12	366	1.40	5.5	0.22	5p	0.007	
SEMIX405GARL07E3¹⁾													
SEMIX305GARL07E3 ¹⁾	353	300	1.45	21	21	0.18	86	1.37	4.7	0.81	5p	0.018	
1200V - V-IGBT													
SEMIX151GAL12Vs	231	150	1.75	19	17	0.19	189	2.14	12	0.31	1s	0.075	
SEMIX151GB12Vs													
SEMIX202GB12Vs	310	200	1.75	25	24	0.14	229	2.20	15	0.26	2s	0.045	
SEMIX223GB12Vs													
SEMIX302GB12Vs	448	300	1.75	37	36	0.1	356	2.14	22	0.17	2s	0.045	
SEMIX303GB12Vs													
SEMIX404GB12Vs	596	400	1.75	39	52	0.075	440	2.20	34	0.14	4s	0.03	
SEMIX453GB12Vs													
SEMIX603GB12Vs	800	600	1.85	50	83	0.057	516	2.42	40	0.12	3s	0.04	
SEMIX604GB12Vs													

Footnotes: 1) Sample status / 2) In production new

IGBT Modules / SEMiX

Type	IGBT						Diode				Module		Circuit	
	$I_c @ T_c = 25^\circ\text{C}$ A	I_{cnom} A	$V_{CE(EMT)} @ T_j = 25^\circ\text{C typ.}$ V	E_{on} mJ	E_{off} mJ	$R_{th(j-c)}$ K/W	$I_f @ T_c = 25^\circ\text{C}$ A	$V_f @ T_j = 25^\circ\text{C typ.}$ V	E_{rr} mJ	$R_{th(j-c)}$ K/W	Case	$R_{th(c-s)}$ K/W		
1200V - V-IGBT														
SEMIX101GD12Vs	159	100	1.75	13	11	0.27	121	2.20	7.7	0.48	13	0.04		
SEMIX151GD12Vs	231	150	1.75	19	17	0.19	189	2.14	12	0.31	13	0.04		
SEMIX223GD12Vc														
SEMIX303GD12Vc	448	300	1.75	27	36	0.1	327	2.20	21	0.19	33c	0.014		
SEMIX453GD12Vc	673	450	1.75	40	54	0.067	516	2.14	33	0.12	33c	0.014		
1200V - IGBT4 (Trench)														
SEMIX151GAL12E4s														
SEMIX302GAL12E4s	463	300	1.80	30	44	0.096	356	2.14	19	0.17	2s	0.045		
SEMIX453GAL12E4s	683	450	1.80	45	67	0.065	544	2.14	28	0.11	3s	0.04		
SEMIX604GAL12E4s	916	600	1.80	35	110	0.049	707	2.14	44	0.086	4s	0.03		
SEMIX151GAR12E4s														
SEMIX302GAR12E4s	463	300	1.80	30	44	0.096	356	2.14	19	0.17	2s	0.045		
SEMIX453GAR12E4s	683	450	1.80	45	67	0.065	544	2.14	28	0.11	3s	0.04		
SEMIX604GAR12E4s	916	600	1.80	35	110	0.049	707	2.14	44	0.086	4s	0.03		
SEMIX151GB12E4s														
SEMIX202GB12E4s	312	200	1.80	22	28	0.14	229	2.20	12	0.26	2s	0.045		
SEMIX223GB12E4p ¹⁾	326	225	1.85	15	30	0.14	287	2.17	20	0.2	3p	0.009		
SEMIX302GB12E4s	463	300	1.80	30	44	0.096	356	2.14	19	0.17	2s	0.045		
SEMIX303GB12E4s	466	300	1.80	30	41	0.095	338	2.20	18	0.18	3s	0.04		
SEMIX303GB12E4p ²⁾	469	300	1.80	23	38	0.094	378	2.20	23	0.15	3p	0.009		
SEMIX404GB12E4s	618	400	1.80	27	60	0.072	440	2.20	26	0.14	4s	0.03		
SEMIX453GB12E4s	683	450	1.80	45	67	0.065	544	2.14	28	0.11	3s	0.04		
SEMIX453GB12E4p ²⁾	678	450	1.80	25	57	0.066	578	2.14	37	0.1	3p	0.009		
SEMIX604GB12E4s	916	600	1.80	35	110	0.049	707	2.14	44	0.086	4s	0.03		
SEMIX603GB12E4p ²⁾	1110	600	1.80	69	80	0.037	856	2.08	40	0.065	3p	0.009		
SEMIX453GB12E41p ²⁾	678	450	1.80	33	57	0.066	578	2.14	39	0.1	31p	0.009		
SEMIX603GB12E41p ²⁾	1110	600	1.80	63	80	0.037	856	2.08	40	0.065	31p	0.009		
SEMIX71GD12E4s														
SEMIX101GD12E4s	160	100	1.80	11	13	0.27	121	2.20	6.5	0.48	13	0.04		
SEMIX151GD12E4s	232	150	1.80	14	19	0.19	189	2.14	8.9	0.31	13	0.04		
SEMIX223GD12E4c														
SEMIX303GD12E4c	466	300	1.80	29	42	0.095	338	2.20	23	0.18	33c	0.014		
SEMIX453GD12E4c	683	450	1.80	52	68	0.065	544	2.14	28	0.11	33c	0.014		

Footnotes: 1) Sample status / 2) In production new

IGBT Modules / SEMiX

Type	IGBT						Diode				Module		Circuit
	$I_c @ T_c = 25^\circ\text{C}$ A	I_{cnom} A	$V_{CE(sat)} @ T_j = 25^\circ\text{C typ.}$ V	E_{on} mJ	E_{off} mJ	$R_{th(j-c)}$ K/W	$I_f @ T_c = 25^\circ\text{C}$ A	$V_f @ T_j = 25^\circ\text{C typ.}$ V	E_{rr} mJ	$R_{th(j-e)}$ K/W	Case	$R_{th(c-e)}$ K/W	
1200V - IGBT4 (Trench)													
SEMiX453GM12E4p ¹⁾	678	450	1.80	25	57	0.066	578	2.14	37	0.1	3Ip	0.009	
SEMiX205GD12E4 ²⁾	281	200	1.80	14	23	0.18	224	2.20	16	0.27	5p	0.005	
SEMiX155MLI12E4 ¹⁾	237	150	1.85	3.5	20	0.18	199	2.17	5.6	0.28	5p	t.b.d	
SEMiX205MLI12E4 ¹⁾	326	200	1.80	5	28	0.13	241	2.20	8	0.24	5p	t.b.d	
SEMiX205TMLI12E4B ²⁾	318	200	1.80	3	14	0.136	229	2.20	5.9	0.26	5p	0.008	
SEMiX305TMLI12E4B ²⁾	479	300	1.80	4.5	21	0.09	363	2.20	8.8	0.16	5p	0.006	
SEMiX405TMLI12E4B ²⁾	636	400	1.80	6	28	0.068	461	2.20	12	0.13	5p	0.005	
SEMiX155GD17E4 ¹⁾	245	150	1.90	-	-	0.18	175	2.00	-	0.32	5p	t.b.d	
1200V - IGBT4 (Fast Trench)													
SEMiX155GD12T4 ¹⁾	163	150	1.80	13	20	0.35	120	2.14	12	0.63	5p	t.b.d	
SEMiX105GD12T4 ¹⁾	138	100	1.80	13	20	0.35	102	2.20	12	0.63	5p	t.b.d	
1200V - IGBT3 (Trench)													
SEMiX452GAL126HDs	455	300	1.70	35	45	0.083	394	1.60	33	0.15	2s	0.045	
SEMiX703GAL126HDs	642	450	1.70	32	68	0.061	561	1.60	60	0.11	3s	0.04	
SEMiX703GAR126HDs	642	450	1.70	32	68	0.061	561	1.60	60	0.11	3s	0.04	

Footnotes: 1) Sample status / 2) In production new

IGBT Modules / SEMiX

Type	IGBT						Diode				Module		Circuit
	$I_c @ T_c = 25^\circ\text{C}$ A	I_{cnom} A	$V_{CE(sat)} @ T_j = 25^\circ\text{C typ.}$ V	E_{on} mJ	E_{off} mJ	$R_{th(j-c)}$ K/W	$I_f @ T_c = 25^\circ\text{C}$ A	$V_f @ T_j = 25^\circ\text{C typ.}$ V	E_{rr} mJ	$R_{th(j-e)}$ K/W	Case	$R_{th(c-e)}$ K/W	
1200V - IGBT3 (Trench)													
SEMiX252GB126HDs	242	150	1.70	20	21	0.15	228	1.60	18	0.24	2s	0.045	
SEMiX302GB126HDs	311	200	1.70	30	26	0.12	292	1.60	23	0.19	2s	0.045	
SEMiX353GB126HDs	364	225	1.70	27	33	0.1	329	1.60	29	0.17	3s	0.04	
SEMiX452GB126HDs	455	300	1.70	35	45	0.083	394	1.60	33	0.15	2s	0.045	
SEMiX503GB126HDs	466	300	1.70	28	44	0.08	431	1.60	33	0.13	3s	0.04	
SEMiX604GB126HDs	590	400	1.70	36	60	0.065	533	1.60	46	0.11	4s	0.03	
SEMiX703GB126HDs	642	450	1.70	32	68	0.061	561	1.60	60	0.11	3s	0.04	
SEMiX904GB126HDs	821	600	1.70	60	88	0.05	752	1.60	75	0.081	4s	0.03	
SEMiX101GD126HDs	129	75	1.70	10	11	0.27	117	1.60	9	0.46	13	0.04	
SEMiX151GD126HDs	168	100	1.70	12	14	0.21	152	1.60	12	0.36	13	0.04	
SEMiX251GD126HDs	242	150	1.70	19	22	0.15	207	1.60	15	0.28	13	0.04	
SEMiX353GD126HDc	364	225	1.70	27	33	0.1	329	1.60	29	0.17	33c	0.014	
SEMiX503GD126HDc	466	300	1.70	28	44	0.08	412	1.60	33	0.14	33c	0.014	
SEMiX703GD126HDc	642	450	1.70	32	68	0.061	561	1.59	60	0.11	33c	0.014	
1700V - IGBT4 (Trench)													
SEMiX302GAL17E4s ²⁾	516	300	1.90	140	122	0.083	324	1.98	70	0.184	2s	0.045	
SEMiX453GAL17E4s ²⁾	762	450	1.90	250	190	0.056	482	1.98	100	0.125	3s	0.04	
SEMiX151GB17E4s ²⁾	260	150	1.90	52	60	0.162	169	1.98	41	0.345	1s	0.075	
SEMiX202GB17E4s ²⁾	321	200	1.90	75	82	0.122	213	2.00	55	0.276	2s	0.045	
SEMiX302GB17E4s ²⁾	516	300	1.90	140	122	0.083	324	1.98	70	0.184	2s	0.045	
SEMiX303GB17E4s ²⁾	477	300	1.90	140	125	0.083	311	2.00	85	0.191	3s	0.04	
SEMiX404GB17E4s ²⁾	633	400	1.90	190	165	0.062	412	2.00	97	0.145	4s	0.03	
SEMiX453GB17E4s ²⁾	762	450	1.90	250	190	0.056	482	1.98	100	0.125	3s	0.04	
SEMiX453GB17E4p ²⁾	731	450	1.90	131	146	0.06	557	1.98	72	0.1	3p	0.009	
SEMiX603GB17E4p ¹⁾	981	600	1.95	225	205	0.037	794	1.88	130	0.073	3p	0.009	
SEMiX604GB17E4s ²⁾	1015	600	1.90	255	255	0.042	629	1.98	150	0.095	4s	0.03	
SEMiX453GB17E41p ²⁾	731	450	1.90	153	150	0.06	557	1.98	73	0.1	31p	0.009	
SEMiX453GD17E4c ²⁾	762	450	1.90	186	183	0.056	482	1.98	122	0.125	33c	0.014	
SEMiX305TMLI17E4C ¹⁾	472	280	1.90	42	51	0.076	388	2.00	45	0.137	5p	t.b.d	

Footnotes: 1) Sample status / 2) In production new

IGBT Modules / SEMiX

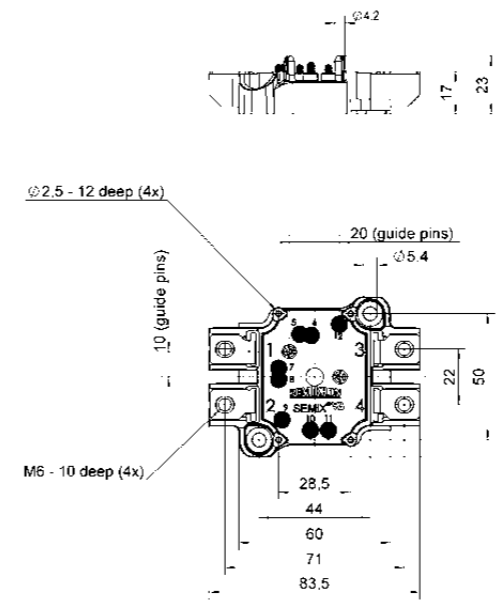
Type	IGBT						Diode				Module		Circuit
	$I_c @ T_c = 25^\circ\text{C}$ A	I_{cnom} A	$V_{CE(sat)} @ T_j = 25^\circ\text{C typ.}$ V	E_{on} mJ	E_{off} mJ	$R_{th(j-c)}$ K/W	$I_F @ T_c = 25^\circ\text{C}$ A	$V_F @ T_j = 25^\circ\text{C typ.}$ V	E_{rr} mJ	$R_{th(j-c)}$ K/W	Case	$R_{th(c-a)}$ K/W	
1700V - IGBT3 (Trench)													
SEMiX653GAL176HDs	619	450	2.00	300	180	0.054	545	1.70	73	0.11	3s	0.04	
SEMiX653GAR176HDs	619	450	2.00	300	180	0.054	545	1.70	73	0.11	3s	0.04	
SEMiX252GB176HDs	246	150	2.00	90	55	0.12	288	1.55	32	0.19	2s	0.045	
SEMiX302GB176HDs	308	200	2.00	130	77	0.1	389	1.50	43	0.15	2s	0.045	
SEMiX353GB176HDs	353	225	2.00	155	85	0.086	428	1.55	45	0.13	3s	0.04	
SEMiX452GB176HDs	437	300	2.00	180	110	0.073	389	1.70	46	0.15	2s	0.045	
SEMiX453GB176HDs	444	300	2.00	215	125	0.071	545	1.50	65	0.11	3s	0.04	
SEMiX604GB176HDs	567	400	2.00	215	165	0.058	740	1.50	95	0.081	4s	0.03	
SEMiX653GB176HDs	619	450	2.00	300	180	0.054	545	1.70	73	0.11	3s	0.04	
SEMiX854GB176HDs	779	600	2.00	300	250	0.045	740	1.70	170	0.081	4s	0.03	
SEMiX353GD176HDc	353	225	2.00	155	85	0.086	428	1.55	45	0.13	33c	0.014	
SEMiX453GD176HDc	444	300	2.00	215	125	0.071	545	1.50	65	0.11	33c	0.014	
SEMiX653GD176HDc	619	450	2.00	300	180	0.054	545	1.70	73	0.11	33c	0.014	

Footnotes: 1) Sample status / 2) In production new

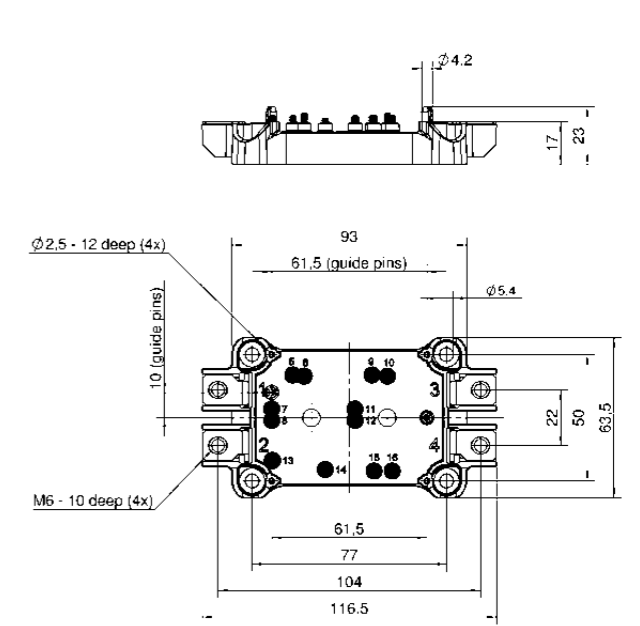
IGBT Modules / SEMiX

Cases

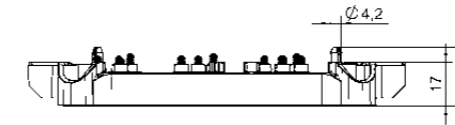
SEMiX 1s



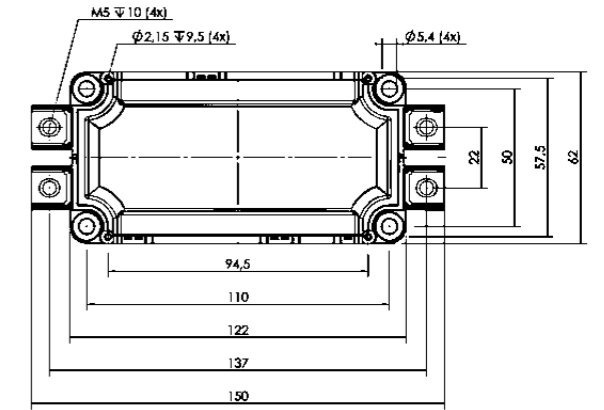
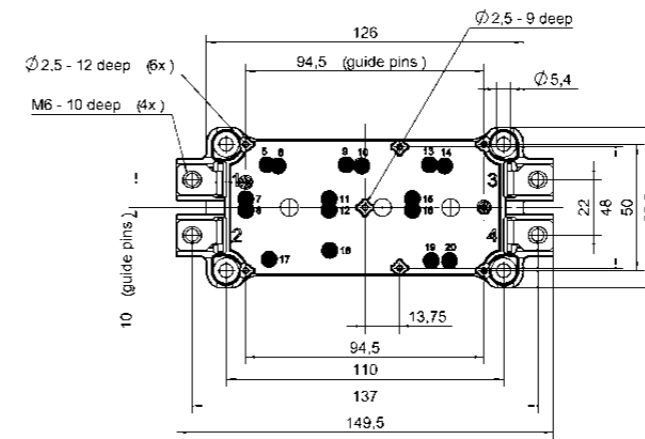
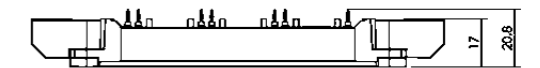
SEMiX 2s



SEMiX 3s



SEMiX 3p



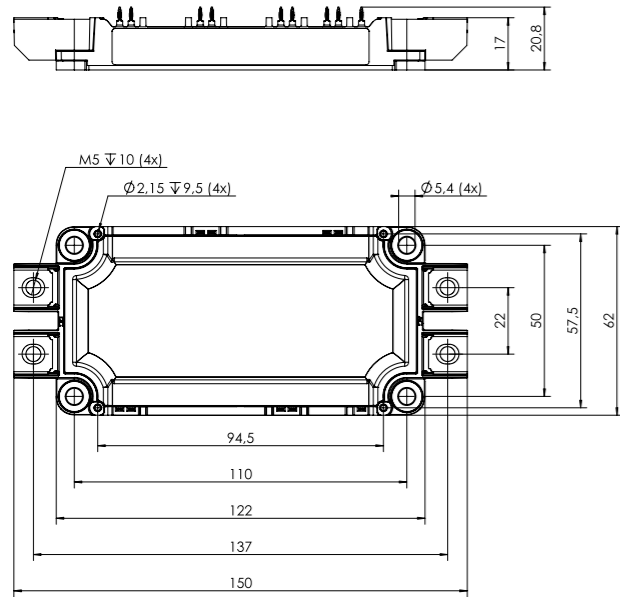
Dimensions in mm

IGBT Modules / SEMiX

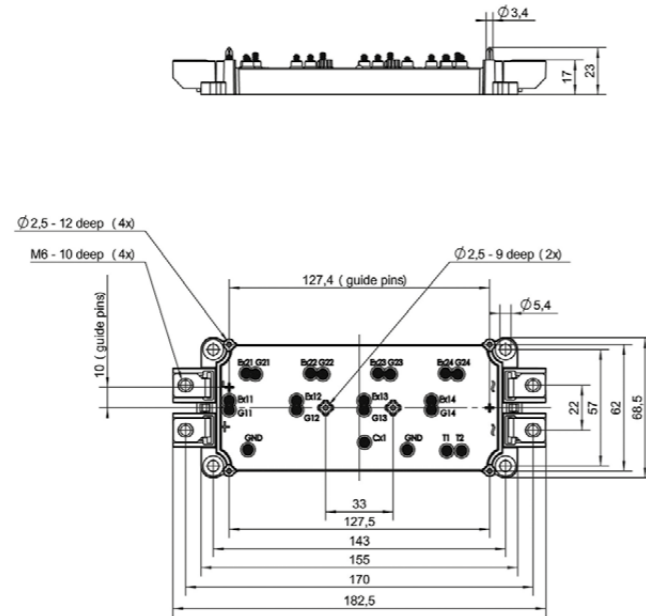
IGBT Modules / SEMiX

Cases

SEMIX 31p

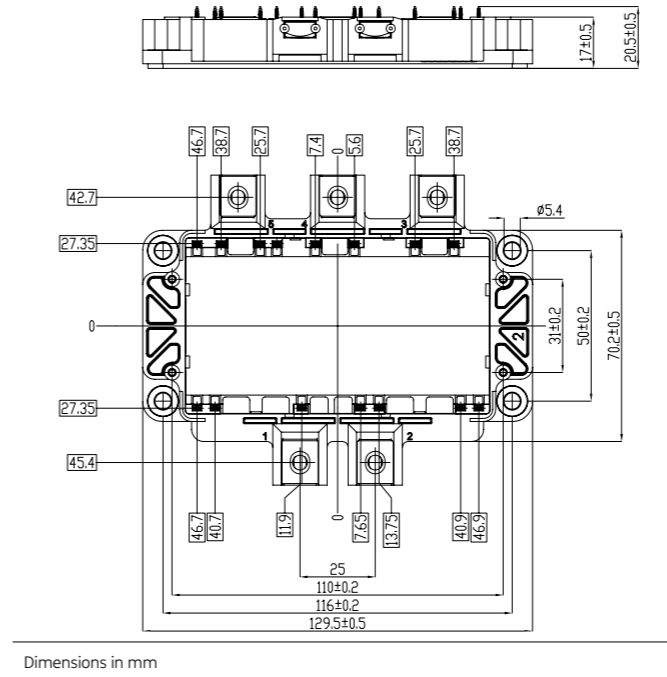


SEMIX 4s



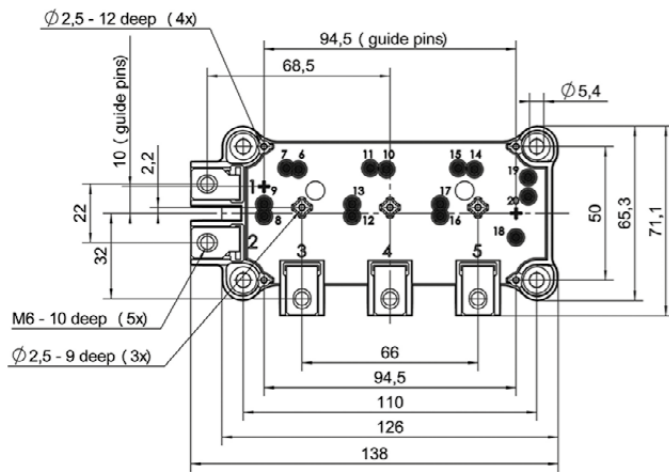
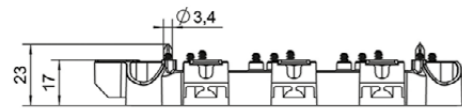
Cases

SEMIX 5p



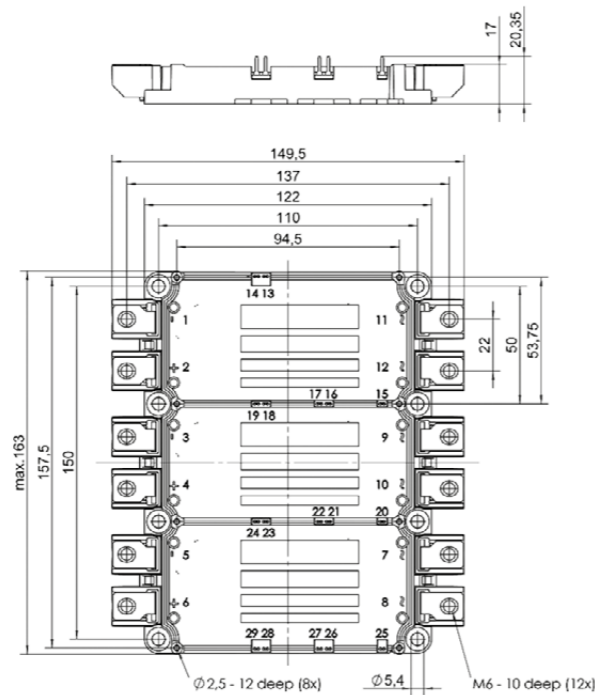
Dimensions in mm

SEMIX 13



Dimensions in mm

SEMIX 33c



IGBT Modules / SEMITRANS

Type	IGBT						Diode				Module	Circuit
	$I_c @ T_c = 25^\circ\text{C}$	I_{chem}	$V_{CE(sat)} @ T_j = 25^\circ\text{C typ.}$	E_{on}	E_{off}	$R_{th(j-c)}$	$I_F @ T_c = 25^\circ\text{C}$	$V_F @ T_j = 25^\circ\text{C typ.}$	E_{rr}	$R_{th(j-c)}$		
	A	A	V	mJ	mJ	K/W	A	V	mJ	K/W		
600V - IGBT3 (Trench)												
SKM145GB066D	195	150	1.46	8.5	5.5	0.3	150	1.40	3.5	0.5	2	
SKM195GB066D	265	200	1.46	14	8	0.22	200	1.40	5.6	0.4	2	
SKM300GB066D	390	300	1.45	7.5	11.5	0.15	350	1.38	10.5	0.25	3	
SKM400GB066D	500	400	1.45	8	16	0.12	450	1.40	14	0.2	3	
SKM600GB066D	760	600	1.45	7.5	29.5	0.08	700	1.40	25	0.125	3	
SKM200GARL066T ²⁾	280	200	1.45	2.24	7.89	0.21	270	1.45	4	0.39	5	
SKM300GARL066T ²⁾	400	300	1.45	3.5	10.1	0.15	400	1.45	4	0.26	5	
SKM400GARL066T ¹⁾	504	400	1.45	4.48	15.78	0.12	421	1.54	8	0.28	5	
SKM150MLI066TAT ¹⁾	200	150	1.45	1.7	5.1	0.29	200	1.35	2	0.52	5	
SKM200MLI066TAT ²⁾	280	200	1.45	2.53	6.82	0.21	270	1.4	4	0.39	5	
SKM300MLI066TAT ²⁾	400	300	1.45	3.5	10.1	0.15	324	1.35	4	0.25	5	
600V - NPT IGBT (Standard)												
SKM75GAL063D ³⁾	100	75	2.1	3	2.5	0.35	75	1.55	0.53	0.72	2	
SKM300GAL063D ³⁾	400	300	2.1	14	13	0.09	250	1.65	4	0.25	3	
SKM75GAR063D ³⁾	100	75	2.1	3	2.5	0.35	75	1.55	0.53	0.72	2	
SKM300GAR063D ³⁾	400	300	2.1	14	13	0.09	250	1.65	4	0.25	3	
SKM50GB063D ³⁾	70	50	2.10	2.5	1.8	0.5	75	1.35	0.48	1	2	
SKM75GB063D ³⁾	100	75	2.1	3	2.5	0.35	75	1.55	0.53	0.72	2	
SKM100GB063D ³⁾	130	100	2.1	4	3	0.27	100	1.55	1.5	0.6	2	
SKM200GB063D ³⁾	260	200	2.1	11	7.5	0.14	200	1.55	2.1	0.3	3	
SKM300GB063D ³⁾	400	300	2.1	14	13	0.09	250	1.65	4	0.25	3	
SKM150GAL12V	231	150	1.75	13.5	14.2	0.19	189	2.14	8.9	0.31	2	
SKM200GAL12VL2 ¹⁾	299	200	1.86	-	-	0.14	189	2.14	8.9	0.31	2	
SKM400GAL12V	612	400	1.74	39	42	0.072	440	2.20	26	0.14	3	
SKM400GAR12V	612	400	1.74	39	42	0.072	440	2.20	26	0.14	3	
SKM300GA12V	420	300	1.84	23	33	0.11	353	2.17	21	0.17	4	
SKM400GA12V	612	400	1.74	39	42	0.072	440	2.20	26	0.14	4	
SKM600GA12V	908	600	1.75	76	76	0.049	707	2.14	43	0.086	4	
SKM50GB12V	77	50	1.84	5	4	0.53	65	2.22	3.6	0.84	2	
SKM75GB12V	114	75	1.84	6.7	7.1	0.38	97	2.17	4.2	0.58	2	
SKM100GB12V	159	100	1.75	10.7	8.7	0.27	121	2.20	5.7	0.48	2	
SKM150GB12V	231	150	1.75	13.5	14.2	0.19	189	2.14	8.9	0.31	2	
SKM150GB12VG	222	150	1.86	10	16.5	0.2	187	2.17	11	0.31	3	
SKM200GB12V	311	200	1.76	14	22	0.14	229	2.20	13	0.26	3	
SKM300GB12V	420	300	1.84	23	33	0.11	353	2.17	21	0.17	3	

Footnotes: 1) Sample status / 2) In production new / 3) Not for new designs / 11) Values at $T_j=150^\circ\text{C}$

IGBT Modules / SEMITRANS

Type	IGBT						Diode				Module	Circuit
	$I_c @ T_c = 25^\circ\text{C}$	I_{chem}	$V_{CE(sat)} @ T_j = 25^\circ\text{C typ.}$	E_{on}	E_{off}	$R_{th(j-c)}$	$I_F @ T_c = 25^\circ\text{C}$	$V_F @ T_j = 25^\circ\text{C typ.}$	E_{rr}	$R_{th(j-c)}$		
	A	A	V	mJ	mJ	K/W	A	V	mJ	K/W		
1200V - V-IGBT												
SKM400GB12V	612	400	1.74	39	42	0.072	440	2.20	26	0.14	3	
SKM200GAL12E4	313	200	1.80	21	27	0.14	229	2.20	13	0.26	3	
SKM300GAL12E4	422	300	1.85	27	39	0.11	353	2.17	23	0.17	3	
SKM400GAL12E4	616	400	1.80	33	56	0.072	440	2.20	30.5	0.14	3	
SKM200GAR12E4	313	200	1.80	21	27	0.14	229	2.20	13	0.26	3	
SKM300GAR12E4	422	300	1.85	27	39	0.11	353	2.17	23	0.17	3	
SKM400GAR12E4	616	400	1.80	33	56	0.072	440	2.20	30.5	0.14	3	
SKM300GA12E4	422	300	1.85	23.4	35	0.11	353	2.17	22.2	0.17	4	
SKM400GA12E4	616	400	1.80	28	59	0.072	440	2.20	37	0.14	4	
SKM600GA12E4	913	600	1.80	74	84	0.049	707	2.14	38	0.086	4	
SKM900GA12E4	1305	900	1.83	130	121	0.035	871	2.31	53	0.07	4	
SKM200GB12E4	313	200	1.80	21	27	0.14	229	2.20	13	0.26	3	
SKM300GB12E4	422	300	1.85	27	39	0.11	353	2.17	23	0.17	3	
SKM400GB12E4	616	400	1.80	33	56	0.072	440	2.20	30.5	0.14	3	
SKM450GB12E4	700	450	1.84	32	60	0.062	440	2.31	28	0.14	3	
SKM450GM12E4 ¹⁾	700	450	1.84	32	60	0.062	440	2.31	28	0.14	3	
1200V - IGBT4 Fast (Trench)												
SKM50GAL12T4	81	50	1.85	5.5	4.5	0.53	65	2.22	3.6	0.84	2	
SKM100GAL12T4	160	100	1.80	15	10.2	0.27	121	2.20	5.9	0.48	2	
SKM150GAL12T4	232	150	1.81	19.2	15.8	0.19	189	2.14	13	0.31	2	
SKM200GAL12T4	313	200	1.80	21	20	0.14	229	2.20	13	0.26	3	
SKM300GAL12T4	422	300	1.85	27	29	0.11	353	2.17	23	0.17	3	
SKM400GAL12T4	616	400	1.80	33	42	0.072	440	2.20	30.5	0.14	3	
SKM150GAR12T4	232	150	1.81	19.2	15.8	0.19	189	2.14	13	0.31	2	
SKM400GAR12T4	616	400	1.80	33	42	0.072	440	2.20	30.5	0.14	3	
SKM300GA12T4	422	300	1.85	23.4	26	0.11	353	2.17	22.2	0.17	4	
SKM400GA12T4	616	400	1.80	28	44	0.072	440	2.20	37	0.14	4	
SKM600GA12T4	913	600	1.80	74	63	0.049	707	2.14	38	0.086	4	
SKM50GB12T4	81	50	1.85	5.5	4.5	0.53	65	2.22	3.8	0.84	2	
SKM75GB12T4	115	75	1.85	11	6.9	0.38	97	2.17	4.7	0.58	2	
SKM100GB12T4	160	100	1.80	15	10.2	0.27	121	2.20	5.9	0.48	2	
SKM100GB12T4G	154	100	1.90	16.1	8.6	0.29	118	2.22	6	0.49	3	
SKM150GB12T4	232	150	1.81	19.2	15.8	0.19	189	2.14	13	0.31	2	

Footnotes: 1) Sample status / 2) In production new / 3) Not for new designs / 11) Values at $T_j=150^\circ\text{C}$

IGBT Modules / SEMITRANS

Type	IGBT						Diode				Module	Circuit
	$I_c @ T_c = 25^\circ\text{C}$ A	I_{cnom} A	$V_{CE(EMT)} @ T_j = 25^\circ\text{C typ.}$ V	E_{on} mJ	E_{off} mJ	$R_{th(j-c)}$ K/W	$I_F @ T_c = 25^\circ\text{C}$ A	$V_F @ T_j = 25^\circ\text{C typ.}$ V	E_{rr} mJ	$R_{th(j-c)}$ K/W		
1200V - IGBT4 Fast (Trench)												
SKM150GB12T4G	223	150	1.85	18.7	14.1	0.2	183	2.17	9	0.32	3	
SKM200GB12T4	313	200	1.80	21	20	0.14	229	2.20	13	0.26	3	
SKM300GB12T4	422	300	1.85	27	29	0.11	353	2.17	23	0.17	3	
SKM400GB12T4	616	400	1.80	33	42	0.072	440	2.20	30.5	0.14	3	
SKM450GB12T4 ²⁾	699	450	1.84	32	49	0.062	461	2.31	28	0.13	3	
SKM150GM12T4 ¹⁾	232	150	1.81	19.2	15.8	0.19	189	2.14	13	0.31	2	
SKM150GM12T4G	229	150	1.85	19.2	15.8	0.19	187	2.17	13	0.31	3	
SKM200GM12T4	313	200	1.80	21	20	0.14	229	2.20	13	0.26	3	
SKM300GM12T4	422	300	1.85	27	29	0.11	353	2.17	23	0.17	3	
SKM400GM12T4	616	400	1.80	33	42	0.072	440	2.20	30.5	0.14	3	
SKM300GBD12T4	422	300	1.85	27	29	0.11	56	2.41	30.5	0.94	3	
SKM400GBD12T4	422	300	1.85	27	29	0.11	56	2.41	30.5	0.94	3	
1200V - IGBT4 High Speed (Trench) (new product series, target data)												
SKM100GAL12F4 ¹⁾	143	100	2.10	-	-	0.27	-	-	-	0.48	2	
SKM400GAL12F4 ¹⁾	553	400	2.04	-	-	0.072	-	-	-	0.14	3	
SKM100GAR12F4 ¹⁾	143	100	2.10	-	-	0.27	-	-	-	0.48	2	
SKM400GAR12F4 ¹⁾	553	400	2.04	-	-	0.072	-	-	-	0.14	3	
SKM75GB12F4 ¹⁾	104	75	2.08	-	-	0.38	-	-	-	0.58	2	
SKM100GB12F4 ¹⁾	143	100	2.10	-	-	0.27	-	-	-	0.48	2	
SKM150GB12F4G ¹⁾	203	150	2.05	-	-	0.2	-	-	-	0.32	3	
SKM200GB12F4 ¹⁾	281	200	2.06	-	-	0.14	-	-	-	0.26	3	
SKM300GB12F4 ¹⁾	422	300	2.06	-	-	0.11	-	-	-	0.17	3	
SKM400GB12F4 ¹⁾	553	400	2.04	-	-	0.072	-	-	-	0.14	3	
1200V - IGBT3 (Trench)												
SKM195GAL126D	220	150	1.71	16	24.5	0.16	143	2.00	5.8	0.32	2	
SKM200GAL126D	260	150	1.71	18	24	0.13	200	1.60	18	0.3	3	
SKM400GAL126D	470	300	1.69	29	48	0.08	352	1.60	27	0.18	3	
SKM600GAL126D	660	400	1.70	39	64	0.055	490	1.60	41	0.125	3	
SKM600GA126D	660	400	1.70	39	64	0.055	490	1.60	41	0.125	4	
SKM800GA126D	910	600	1.70	65	95	0.042	703	1.60	59	0.09	4	
SKM195GB126D	220	150	1.71	16	24.5	0.16	143	2.00	5.8	0.32	2	
SKM200GB126D	260	150	1.71	18	24	0.13	200	1.60	18	0.3	3	
SKM300GB126D	310	200	1.70	21	33	0.12	250	1.60	18	0.25	3	
SKM400GB126D	470	300	1.69	29	48	0.08	352	1.60	27	0.18	3	
SKM600GB126D	660	400	1.70	39	64	0.055	490	1.60	41	0.125	3	

Footnotes: 1) Sample status / 2) In production new / 3) Not for new designs / 11) Values at $T_j=150^\circ\text{C}$

IGBT Modules / SEMITRANS

Type	IGBT						Diode				Module	Circuit
	$I_c @ T_c = 25^\circ\text{C}$ A	I_{cnom} A	$V_{CE(EMT)} @ T_j = 25^\circ\text{C typ.}$ V	E_{on} mJ	E_{off} mJ	$R_{th(j-c)}$ K/W	$I_F @ T_c = 25^\circ\text{C}$ A	$V_F @ T_j = 25^\circ\text{C typ.}$ V	E_{rr} mJ	$R_{th(j-c)}$ K/W		
1200V - NPT IGBT (Ultrafast)												
SKM200GAL125D	200	150	3.3	14	8	0.09	200	2.06	8	0.25	3	
SKM400GAL125D	400	300	3.3	17	18	0.05	390	2.06	16	0.125	3	
SKM200GAR125D	200	150	3.3	14	8	0.09	200	2.06	8	0.25	3	
SKM400GAR125D	400	300	3.3	17	18	0.05	390	2.06	16	0.125	3	
SKM600GA125D	580	400	3.3	30	22	0.041	500	2.00	24	0.09	4	
SKM800GA125D	760	600	3.20	88	48	0.03	720	2.3	28	0.07	4	
SKM100GB125DN	100	75	3.3	9	3.5	0.18	95	2.06	4	0.5	2N	
SKM200GB125D	200	150	3.3	14	8	0.09	200	2.06	8	0.25	3	
SKM300GB125D	300	200	3.3	16	11	0.075	260	2.00	13	0.18	3	
SKM400GB125D	400	300	3.3	17	18	0.05	390	2.06	16	0.125	3	
SKM25GD125D ²⁾	39	25	3.20	3.9	1.6	0.56	47	2.13	1.1	1	6	
SKM50GD125D ²⁾	73	50	3.20	8	3.2	0.32	77	2.00	2.1	0.6	6	
SKM25GAH125D ²⁾	39	25	3.20	3.9	1.6	0.56	47	2.13	1.1	1	6	
1700V - IGBT3 (Trench)												
SKM145GAL176D	160	100	2.00	60	38	0.19	140	1.6	27.5	0.36	2	
SKM200GAL176D	260	150	2.01	93	58	0.12	210	1.70	31	0.25	3	
SKM400GAL176D	432	300	1.99	170	118	0.075	440	1.70	78	0.125	3	
SKM400GAR176D	432	300	1.99	170	118	0.075	440	1.70	78	0.125	3	
SKM600GA176D	660	400	2.00	255	155	0.044	600	1.6	102	0.09	4	
SKM800GA176D	830	600	2.00	335	245	0.04	630	1.6	155	0.07	4	
SKM75GB176D	80	50	2.00	25	18	0.38	80	1.70	14.5	0.55	2	
SKM100GB176D	125	75	1.98	44	28.5	0.24	100	1.6	21.4	0.45	2	
SKM145GB176D	160	100	2.00	60	38	0.19	140	1.6	27.5	0.36	2	
SKM200GB176D	260	150	2.01	93	58	0.12	210	1.70	31	0.25	3	
SKM400GB176D	432	300	1.99	170	118	0.075	440	1.70	78	0.125	3	

Footnotes: 1) Sample status / 2) In production new / 3) Not for new designs / 11) Values at $T_j=150^\circ\text{C}$

IGBT Modules / SEMITRANS

Type	IGBT						Diode				Module	Circuit
	$I_c @ T_c = 25^\circ\text{C}$ A	I_{cnom} A	$V_{CE(sat)} @ T_j = 25^\circ\text{C typ.}$ V	E_{on} mJ	E_{off} mJ	$R_{th(j-c)}$ K/W	$I_F @ T_c = 25^\circ\text{C}$ A	$V_F @ T_j = 25^\circ\text{C typ.}$ V	E_{rr} mJ	$R_{th(j-c)}$ K/W		
1700V - NPT IGBT (Standard)												
SKM200GAL173D ³⁾	220	150	3.4	95	45	0.1	150	2.2	21	0.32	3	
SKM200GAR173D ³⁾	220	150	3.4	95	45	0.1	150	2.2	21	0.32	3	
SKM400GA173D ³⁾	440	300	3	180	10	0.05	300	2.2	46	0.17	4	
SKM75GB173D ³⁾	75	50	3.4	18	13	0.25	60	2.2	10.5	0.75	2	
SKM100GB173D ³⁾	110	75	3.4	35	21	0.2	80	2.2	11.5	0.63	2	
SKM150GB173D ³⁾	150	100	3.4	60	32	0.125	125	2.2	14	0.4	3	
SKM200GB173D ³⁾	220	150	3.4	95	45	0.1	150	2.2	21	0.32	3	
1700V - IGBT4 (Trench)												
SKM100GAL17E4 ²⁾	164	100	1.90	43	39	0.234	113	2.00	26	0.504	2	
SKM200GAL17E4 ²⁾	321	200	1.90	69	79	0.122	213	2.00	45	0.276	3	
SKM400GAL17E4 ²⁾	614	400	1.92	156.5	180	0.066	443	2.00	130	0.13	3	
SKM100GAR17E4 ²⁾	164	100	1.90	43	39	0.234	113	2.00	26	0.504	2	
SKM200GAR17E4 ²⁾	321	200	1.90	69	79	0.122	213	2.00	45	0.276	3	
SKM400GAR17E4 ²⁾	614	400	1.92	156.5	180	0.066	443	2.00	130	0.13	3	
SKM600GA17E4 ²⁾	1021	600	1.90	258	246	0.042	629	1.98	132	0.095	4	
SKM75GB17E4 ²⁾	125	75	1.93	30	29	0.304	88	2.00	21	0.632	2	
SKM100GB17E4 ²⁾	164	100	1.90	43	39	0.234	113	2.00	26	0.504	2	
SKM150GB17E4 ²⁾	261	150	1.90	67	59	0.162	169	1.98	32	0.345	2	
SKM150GB17E4G ¹⁾	242	150	1.90	-	-	0.161	163	2.00	-	0.356	3	
SKM200GB17E4 ²⁾	321	200	1.90	69	79	0.122	213	2.00	45	0.276	3	
SKM300GB17E4 ²⁾	476	300	1.91	88	121	0.083	314	2.00	77	0.19	3	
SKM400GB17E4 ²⁾	614	400	1.92	156.5	180	0.066	443	2.00	130	0.13	3	
SKM400GM17E4 ²⁾	614	400	1.92	156.5	180	0.066	443	2.00	130	0.13	3	

Footnotes: 1) Sample status / 2) In production new / 3) Not for new designs / 11) Values at $T_j=150^\circ\text{C}$

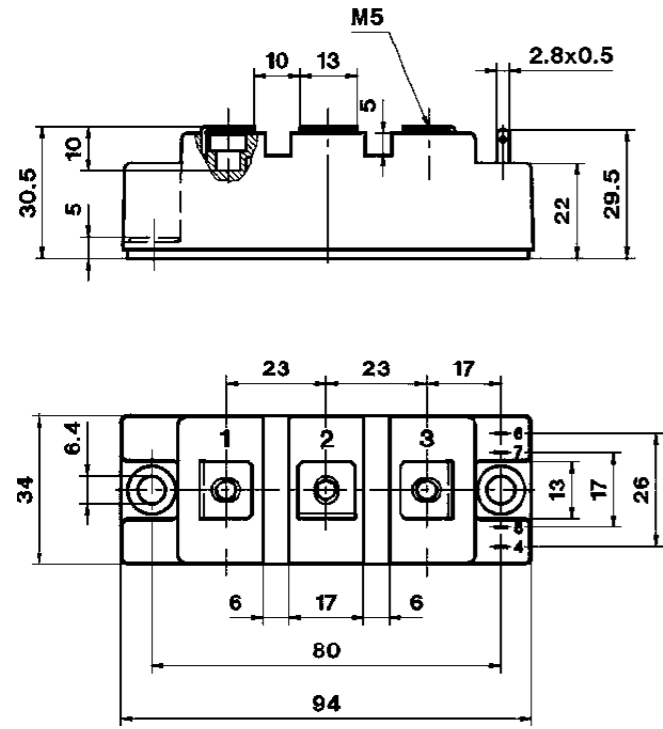
IGBT Modules / SEMITRANS

Type	IGBT						Diode				Module	Circuit
	$I_c @ T_c = 25^\circ\text{C}$ A	I_{cnom} A	$V_{CE(sat)} @ T_j = 25^\circ\text{C typ.}$ V	E_{on} mJ	E_{off} mJ	$R_{th(j-c)}$ K/W	$I_F @ T_c = 25^\circ\text{C}$ A	$V_F @ T_j = 25^\circ\text{C typ.}$ V	E_{rr} mJ	$R_{th(j-c)}$ K/W		
1700V - IGBT4 (Trench) chip - dedicated for humid environment (target data)												
SKM75GB17E4H16 ¹⁾	118	75	1.93	37	29	0.304	88	2.00	18	0.632	2	
SKM150GB17E4GH16 ¹⁾	228	150	1.96	69	59	0.161	163	2.00	36	0.356	3	
SKM300GB17E4H16 ¹⁾	449	300	1.97	106	122	0.083	314	2.00	71	0.19	3	
1700V - SPT ++ (new product series, target data)												
SKM1000GAL17S2 ¹⁾	1460	1000	2.30	395	326	0.027	1427	1.78	185	0.043	10	
SKM1400GAL17S2 ¹⁾	1947	1400	2.31	712	417	0.021	1672	1.84	215	0.038	10	
SKM1000GAR17S2 ¹⁾	1460	1000	2.30	395	326	0.027	1427	1.78	185	0.043	10	
SKM1400GAR17S2 ¹⁾	1947	1400	2.31	712	417	0.021	1672	1.84	215	0.038	10	
SKM1000GB17S2 ²⁾	1460	1000	2.30	395	326	0.027	1427	1.78	185	0.043	10	
SKM1400GB17S2 ¹⁾	1947	1400	2.31	712	417	0.021	1672	1.84	215	0.038	10	
3300V - N-Channel F-IGBT (new product series, target data)												
SKM450GB33F ^{1) 11)}	-	450	2.85	750	770	0.033	-	2.45	740	0.051	20	

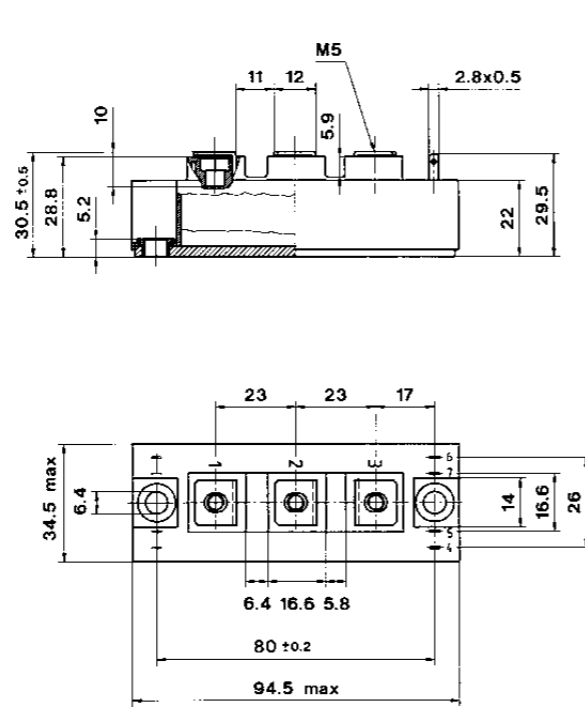
Footnotes: 1) Sample status / 2) In production new / 3) Not for new designs / 11) Values at $T_j=150^\circ\text{C}$

Cases

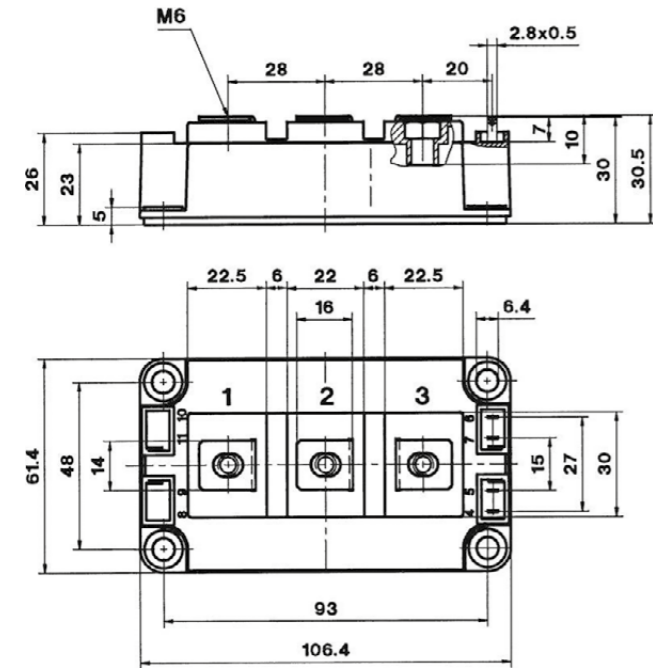
SEMISTRANS 2



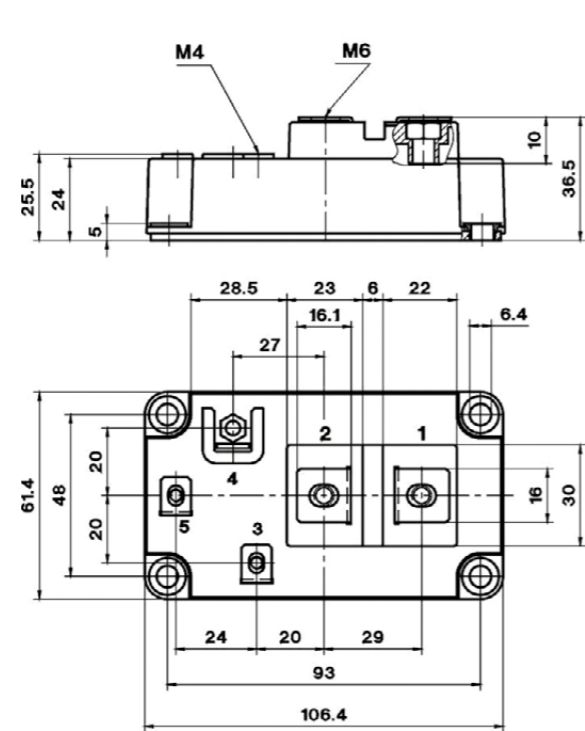
SEMISTRANS 2N



SEMISTRANS 3



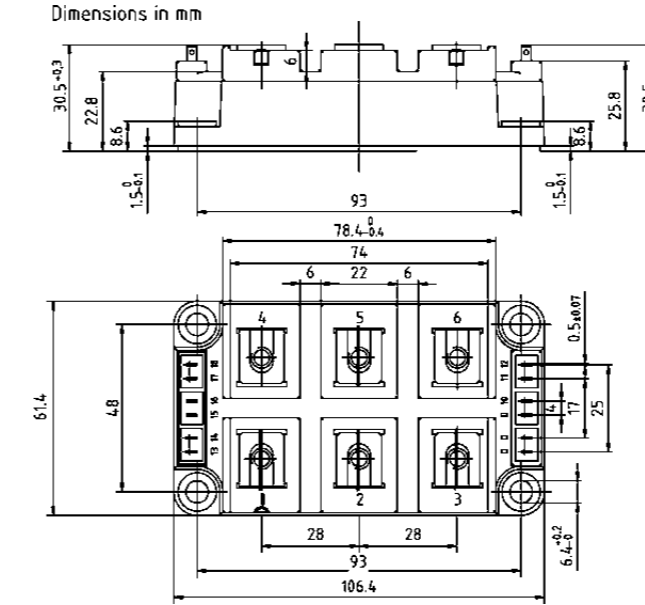
SEMISTRANS 4



Dimensions in mm

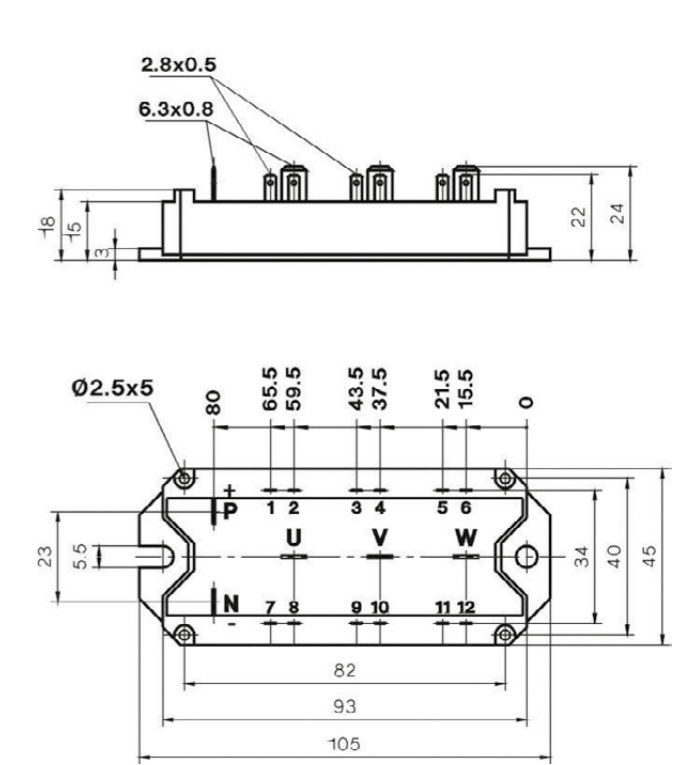
Cases

SEMISTRANS 5



Dimensions in mm

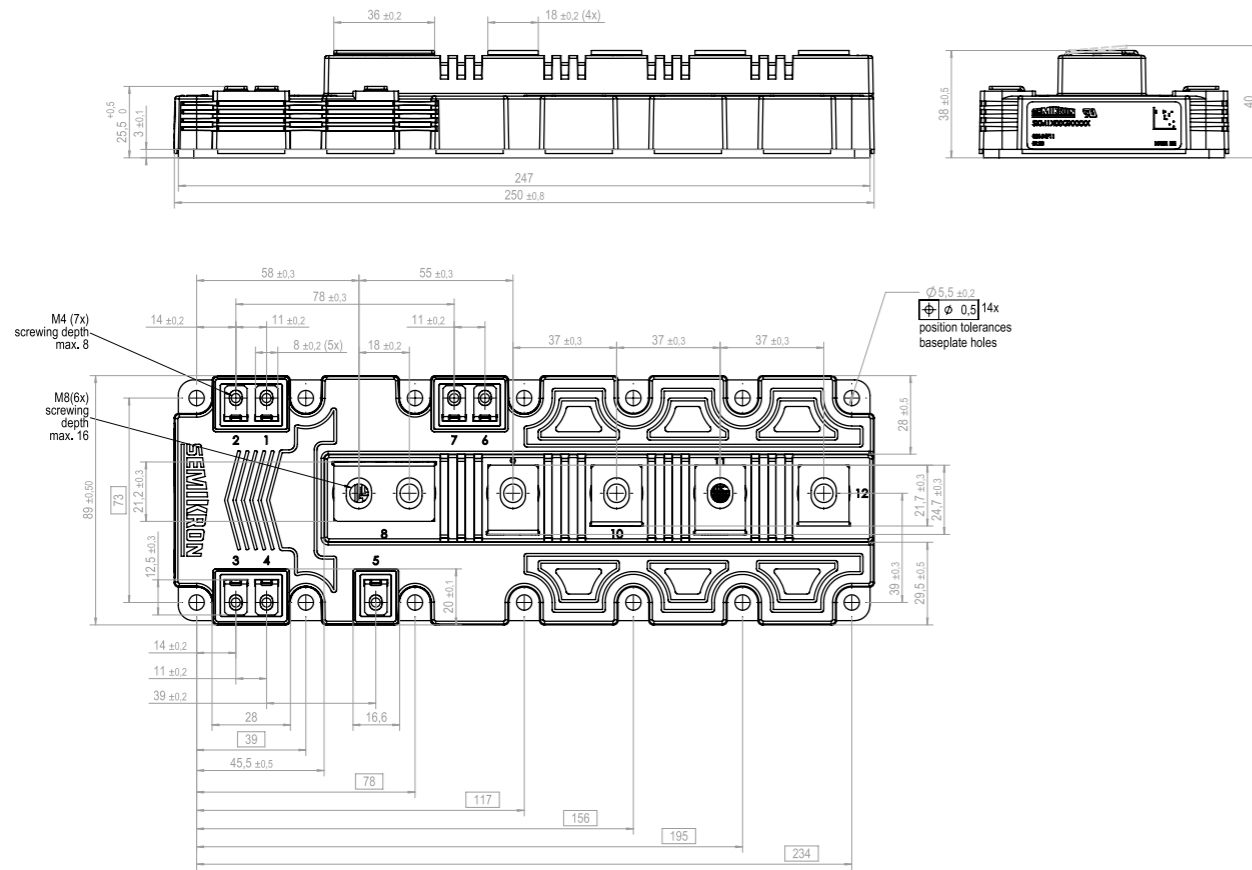
SEMISTRANS 6



IGBT Modules / SEMITRANS

Cases

SEMISTRANS 10

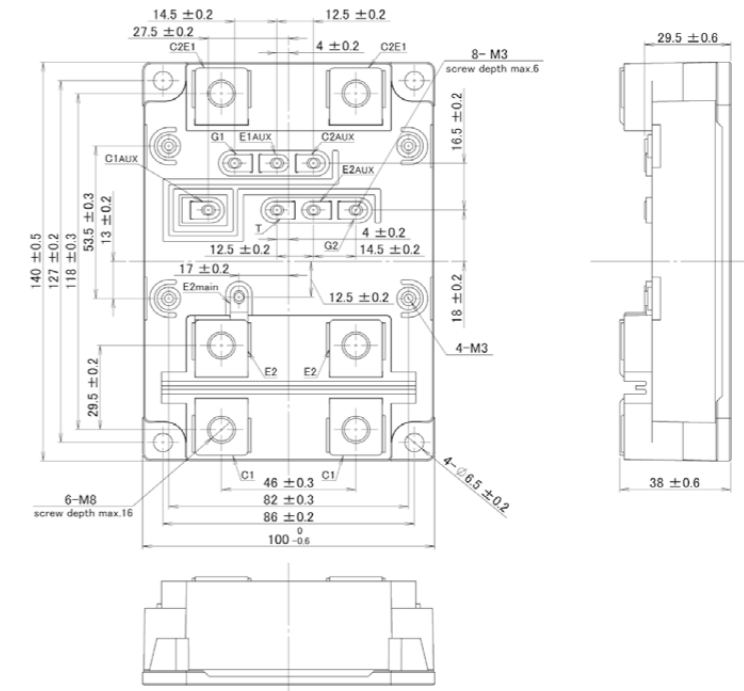


Dimensions in mm

IGBT Modules / SEMITRANS

Cases

SEMISTRANS 20



Dimensions in mm

IGBT Modules / SKiM 4/5

Type	IGBT						Diode				Module	Circuit
	$I_c @ T_s = 25^\circ\text{C}$ A	I_{cnom} A	$V_{CE(sat)} @ T_j = 25^\circ\text{C typ.}$ V	E_{on} mJ	E_{off} mJ	$R_{th(j-c)}$ K/W	$I_f @ T_s = 25^\circ\text{C}$ A	$V_f @ T_j = 25^\circ\text{C typ.}$ V	E_{rr} mJ	$R_{th(j-c)}$ K/W		
600V - IGBT3 (Trench)												
SKiM301MLI07E4 ²⁾	252	300	1.55	2.8	17	0.3	177	1.40	-	0.53	4	
SKiM401MLI07E4 ²⁾	314	400	1.55	3.3	21	0.25	289	1.40	1.8	0.31	4	
SKiM601MLI07E4 ²⁾	433	600	1.55	6.1	44	0.19	318	1.39	2.4	0.31	4	
1200V - IGBT3 (Trench)												
SKiM200GD126D ³⁾	-	200	1.65	15	25	-	152	2.39	-	0.35	4	
SKiM300GD126D	265	300	1.70	28	47	0.2	260	1.92	-	0.285	4	
SKiM300GD126DL ³⁾	265	300	1.65	28	47	0.2	260	1.92	-	0.285	4	
SKiM400GD126DM	330	300	1.70	29	46	0.134	300	1.92	-	0.19	4	
SKiM400GD126DLM	330	300	1.65	29	46	0.134	300	1.92	-	0.19	4	
SKiM450GD126D	390	450	1.70	42	70	0.13	345	1.92	-	0.19	5	
SKiM450GD126DL ³⁾	390	450	1.65	42	70	0.13	345	1.92	-	0.19	5	
SKiM600GD126DLM	480	450	1.65	42	70	0.09	450	1.92	-	0.125	5	
SKiM601GD126DM	480	450	1.70	42	70	0.09	450	1.92	-	0.125	5	
1200V - IGBT4 (Trench)												
SKiM304GD12T4D ³⁾	312	300	1.80	-	-	0.19	221	2.33	-	0.25	4	
SKiM455GD12T4D1 ³⁾	400	450	1.80	34	40	0.14	295	2.33	28	0.19	5	
SKiM201MLI12E4 ²⁾	206	200	1.80	15	23	0.29	187	2.20	15	0.36	4	
SKiM301MLI12E4 ²⁾	311	300	1.80	22	34	0.19	282	2.20	15	0.24	4	
SKiM301TMLI12E4B ²⁾	311	300	1.80	6.6	19	0.19	249	2.20	1.8	0.29	4	
SKiM301TMLI12E4C ¹⁾	294	300	1.80	6.6	19	0.21	274	2.20	1.8	0.25	4	
SKiM401TMLI12E4B ²⁾	388	400	1.80	8.8	26	0.16	311	2.20	2.4	0.24	4	
SKiM601TMLI12E4B ²⁾	529	600	1.80	11	45	0.125	495	2.14	4.4	0.15	4	
1700V - IGBT3 (Trench)												
SKiM120GD176D	110	125	2	72	46	0.4	105	1.6	22	0.56	4	
SKiM220GD176DH4	220	250	2	145	100	0.21	220	1.7	65	0.26	4	

Footnotes: 1) Sample status / 2) In production new / 3) Not for new designs

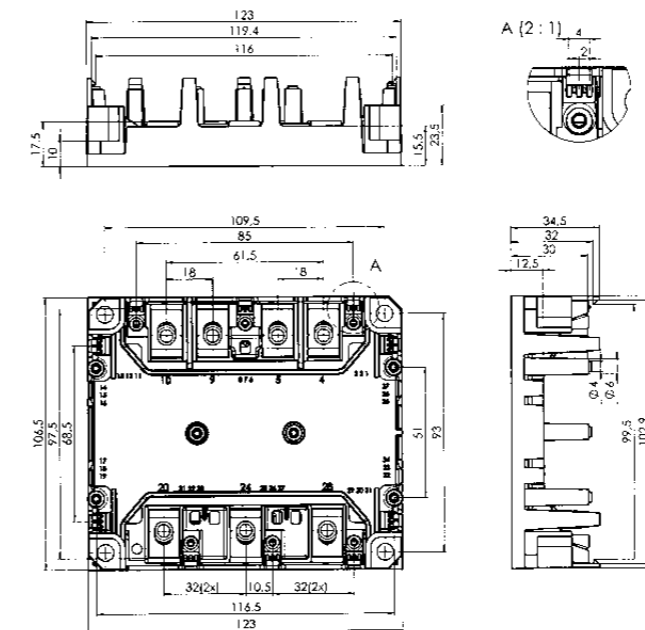
IGBT Modules / SKiM 4/5

Type	IGBT						Diode				Module	Circuit
	$I_c @ T_s = 25^\circ\text{C}$ A	I_{cnom} A	$V_{CE(sat)} @ T_j = 25^\circ\text{C typ.}$ V	E_{on} mJ	E_{off} mJ	$R_{th(j-c)}$ K/W	$I_f @ T_s = 25^\circ\text{C}$ A	$V_f @ T_j = 25^\circ\text{C typ.}$ V	E_{rr} mJ	$R_{th(j-c)}$ K/W		
1700V - IGBT3 (Trench)												
SKiM270GD176D	260	300	2.00	170	120	0.175	215	1.7	-	0.29	5	

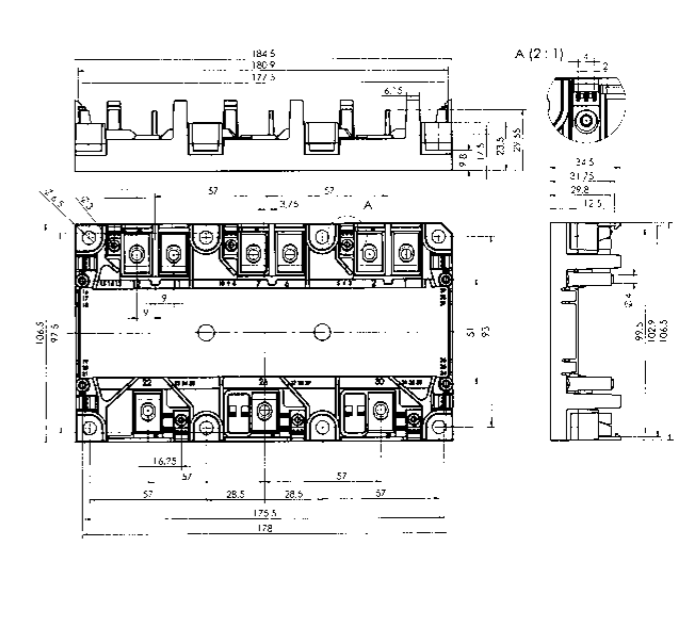
Footnotes: 1) Sample status / 2) In production new / 3) Not for new designs

Cases

SKiM 4



SKiM 5



Dimensions in mm

IGBT Modules / SKiM 63/93

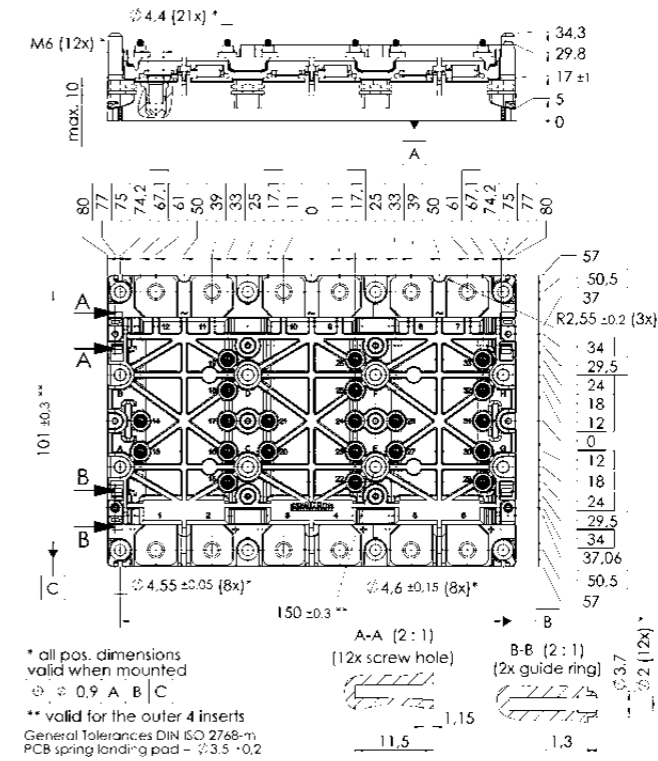
Type	IGBT						Diode				Module	Circuit
	$I_c @ T_s = 25^\circ\text{C}$ A	$I_{c, nom}$ A	$V_{CE(sat)} @ T_j = 25^\circ\text{C typ.}$ V	E_{on} mJ	E_{off} mJ	$R_{th(j-c)}$ K/W	$I_f @ T_s = 25^\circ\text{C}$ A	$V_f @ T_j = 25^\circ\text{C typ.}$ V	E_{rr} mJ	$R_{th(j-s)}$ K/W		
600V - IGBT3 (Trench)												
SKiM406GD066HD ¹⁰⁾	468	400	1.45	8	25	0.135	360	1.53	12	0.243	63	
SKiM606GD066HD ¹⁰⁾	641	600	1.45	16	53	0.105	453	1.60	21	0.201	63	
SKiM909GD066HD ¹⁰⁾	899	900	1.45	36	88	0.078	712	1.52	29	0.135	93	
1200V - IGBT4 (Trench)												
SKiM609GAL12E4 ²⁾	748	600	1.85	136	83	0.068	1397	1.7	39	0.048	93	
SKiM609GAR12E4 ²⁾	748	600	1.85	136	83	0.068	1397	1.7	39	0.048	93	
SKiM306GD12E4 ¹⁰⁾	410	300	1.85	19	39	0.116	302	2.14	21	0.218	63	
SKiM459GD12E4 ¹⁰⁾	556	450	1.85	22	57	0.092	438	2.14	40	0.155	93	
1700V - IGBT4 (Trench)												
SKiM429GD17E4HD ^{2) 10)}	595	420	1.90	245	180	0.079	413	1.66	99	0.169	93	

Footnotes: 2) In production new / 10) Also available with new HpTp, see Accessories/Thermal Interface Materials

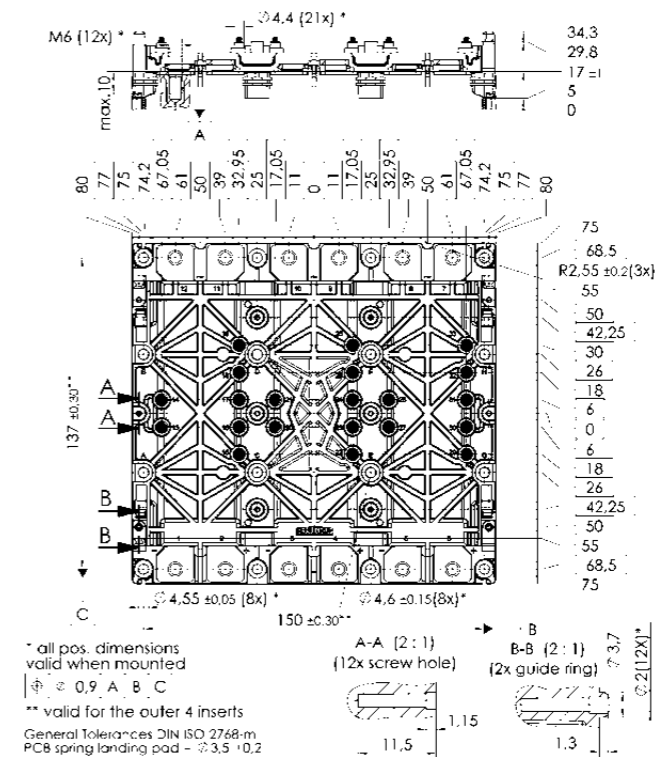
IGBT Modules / SKiM 63/93

Cases

SKiM 63



SKiM 93



Dimensions in mm

Silicon Carbide Modules for Highest Energy Efficiency

SEMIKRON offers hybrid and full silicon carbide power modules in MiniSKiiP, SEMITOP, SEMITRANS3, SEMiX3 Press-Fit and SKiM63/93. Latest IGBT technology is combined with SiC Schottky diodes to increase the switching frequency and reduce power losses at the same time. Silicon carbide MOSFETs, either with or without anti-parallel SiC Schottky diodes, create even higher gains in switching frequency and power density.

The SEMIKRON silicon carbide power modules are available from 8A to 500A in 1200V. Covered topologies are 6-packs, also with split output configurations, half bridges and triple boost converters. Additionally further topologies like 3-level or H-bridge designs are easily adaptable to silicon carbide and will complete the portfolio.

Product	Page
Full SiC	
MiniSKiiP	86
SEMITOP	88
SEMITRANS	90
Hybrid SiC	
MiniSKiiP	91
SEMiX Press-Fit	92
SEMITRANS	93
SKiM	94

For detailed information please refer to data sheets.

Further information:
www.semikron.com/full-sic
www.semikron.com/hybrid-sic

Silicon Carbide Modules

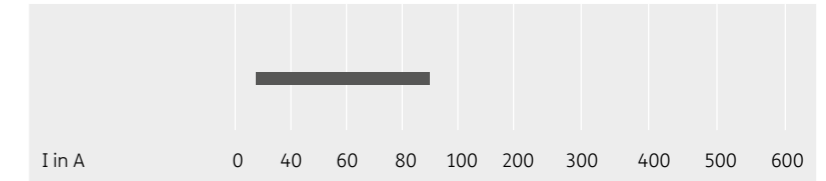
Full SiC

MiniSKiiP®

6-pack

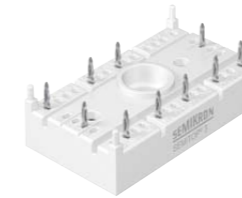


1200V

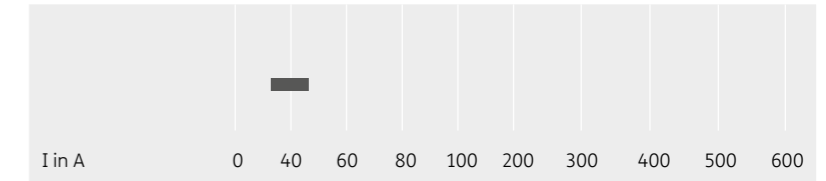


SEMITOP®

6-pack
 chopper
 H-bridge



1200V

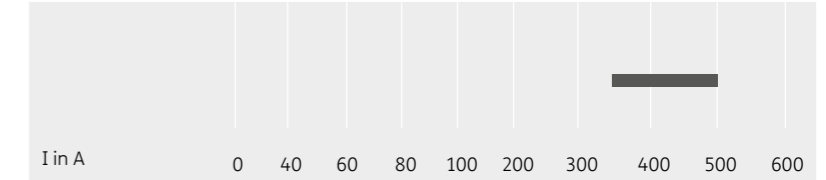


SEMITRANS®

half bridge



1200V



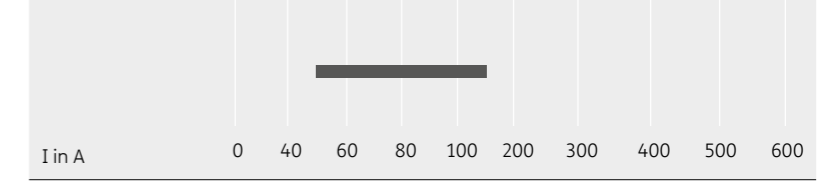
Hybrid SiC

MiniSKiiP®

6-pack



1200V

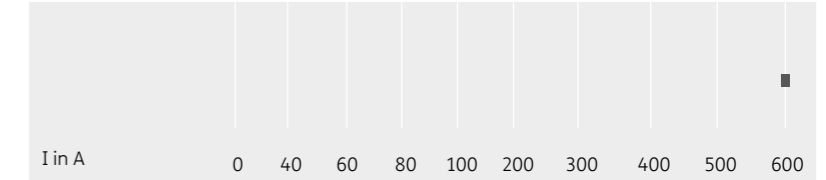


SEMiX Press-Fit®

half bridge



1200V

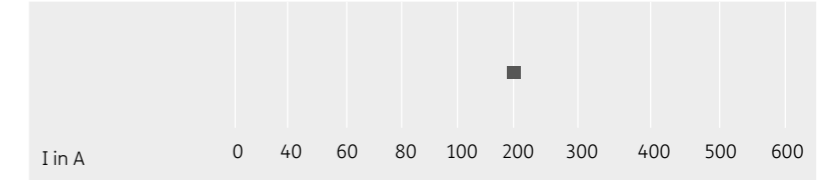


SEMITRANS®

half bridge



1200V

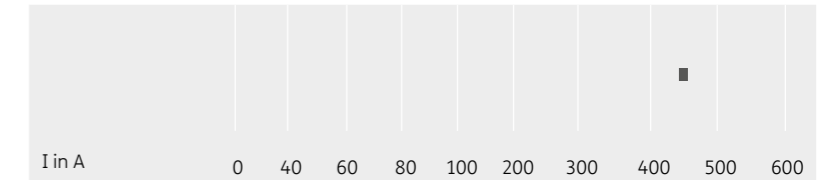


SKiM® 63/93

6-pack



1200V

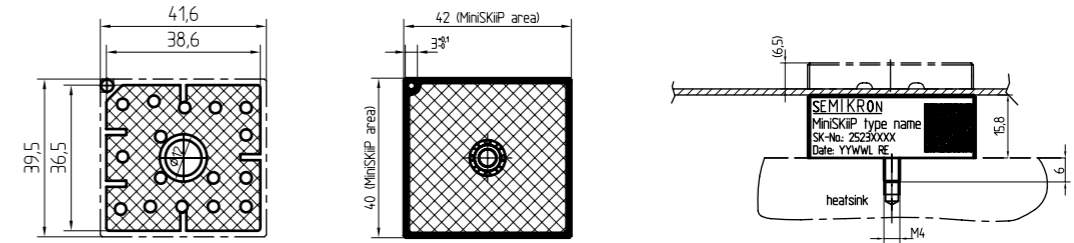


Type	V_{DS} V	$I_D @ T_c = 25^\circ\text{C}$ A	$R_{DS(on)} @ T_j = 25^\circ\text{C typ.}$ m Ω	$R_{th(j-c)}$ K/W	Case	Circuit
1200V - SiC MOSFET						
SKiiP 13ACM12V17 ¹⁾	1200	25	80	1.5	II 1	
SKiiP 13ACM12V18 ¹⁾	1200	25	80	1.5	II 1	
SKiiP 26ACM12V17 ¹⁾	1200	75	23	0.6	II 2	

Footnotes: 1) Sample status

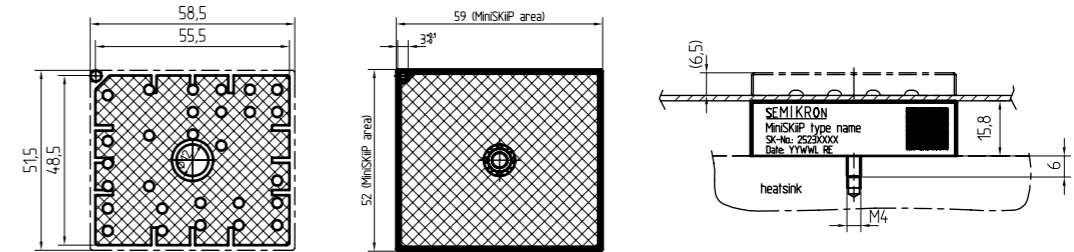
Cases

MiniSKiiP II 1



pin configuration depends on circuit (details in data sheet)

MiniSKiiP II 2



pin configuration depends on circuit (details in data sheet)

Dimensions in mm

SiC Modules / Full SiC / SEMITOP

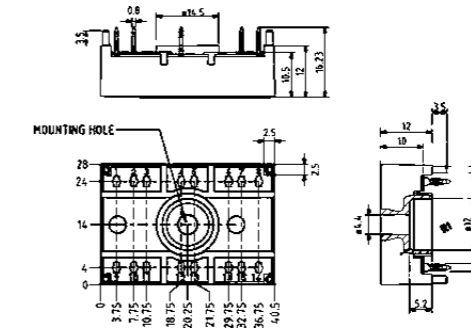
Type	V_{DS} V	I_p @ $T_c = 25^\circ\text{C}$ A	$R_{DS(on)}$ @ $T_j = 25^\circ\text{C}$ typ. m Ω	$R_{th(j-c)}$ K/W	Case	Circuit
1200V - SiC MOSFET						
SK45MAHT12Scp ¹⁾	1200	41	45	1	3p	
SK45MLET12Scp ¹⁾	1200	41	45	1	3p	
SK45MH120TScp ¹⁾	1200	41	45	1	2p	
SK25MH120TScp ¹⁾	1200	26	80	1.4	2p	

Footnotes: 1) Sample status

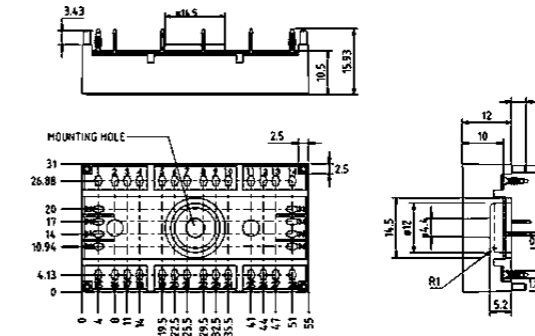
SiC Modules / Full SiC / SEMITOP

Cases

SEMITOP 2 Press-Fit



SEMITOP 3 Press-Fit



Dimensions in mm

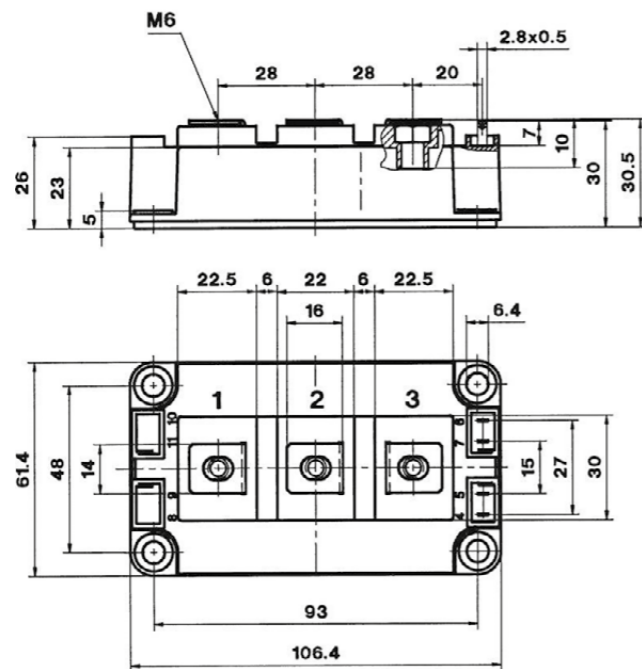
SiC Modules / Full SiC / SEMITRANS

Type	V_{DS} V	$I_p @ T_c = 25^\circ C$ A	$R_{DS(on)} @ T_j = 25^\circ C$ mΩ	$R_{th(j-c)}$ K/W	Case	Circuit
1200V - SiC MOSFET						
SKM500MB120SC ¹⁾	1200	541	3.8	0.07	3	
SKM350MB120SCH15 ¹⁾	1200	523	5.6	0.045	3	
SKM350MB120SCH17 ¹⁾	1200	523	5.6	0.045	3	

Footnotes: 1) Sample status

Cases

SEMISTRANS 3



Dimensions in mm

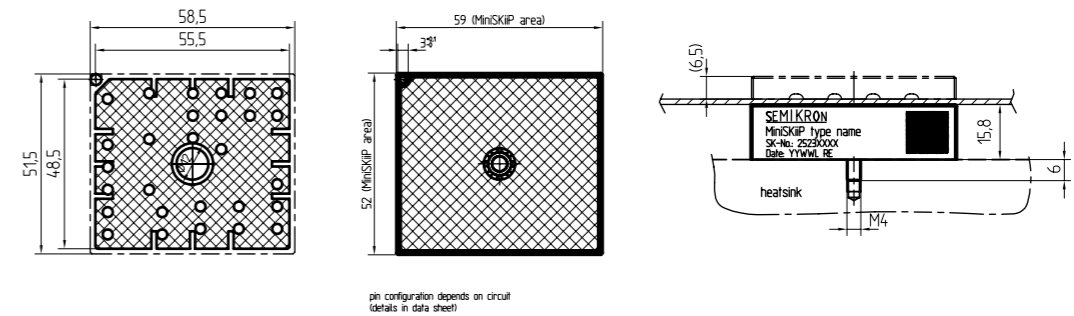
SiC Modules / Hybrid SiC / MiniSKiiP

Type	IGBT					Diode			Module	Circuit	
	$I_c @ T_c = 25^\circ C$ A	Current (A)	$V_{CE(sat)} @ T_j = 25^\circ C$ V	E_{on} mJ	E_{off} mJ	$R_{th(j-s)}$ K/W	$I_F @ T_s = 25^\circ C$ A	V_F V	$R_{th(j-s)}$ K/W	Case	
1200V - IGBT4 (Fast Trench)											
SKiiP25AC12F4V19 ¹⁾	72	50	2.05	2.2	2.8	0.53	49	1.40	0.98	II 2	
SKiiP38AC12F4V19 ¹⁾	128	100	2.05	6.4	6.3	0.33	71	1.40	0.72	II 3	
SKiiP39AC12F4V19 ¹⁾	175	150	2.05	9.6	9.4	0.26	76	1.40	0.33	II 3	

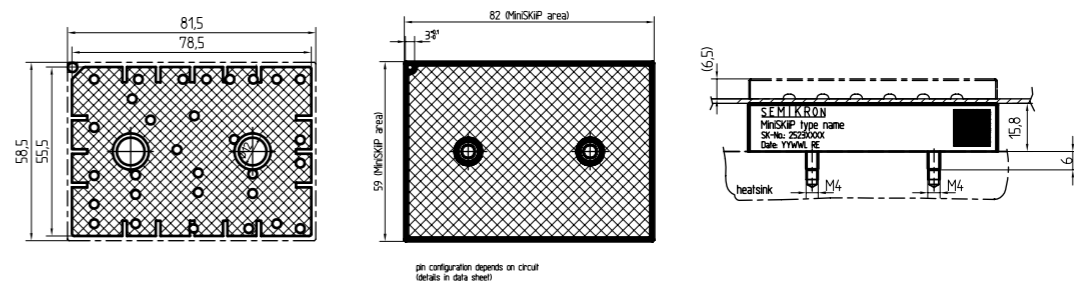
Footnotes: 1) Sample status

Cases

MiniSKiiP II 2



MiniSKiiP II 3



Dimensions in mm

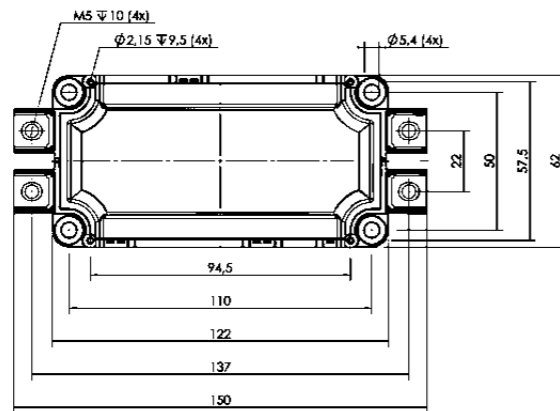
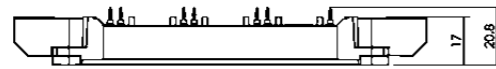
SiC Modules / Hybrid SiC / SEMiX

Type	IGBT						Diode			Module		
	$I_c @ T_c = 25^\circ\text{C}$ A	Current (A)	$V_{CE(sat)} @ T_j = 25^\circ\text{C typ.}$ V	E_{on} mJ	E_{off} mJ	$R_{th(j-c)}$ K/W	$I_f @ T_c = 25^\circ\text{C}$ A	V_f V	$R_{th(j-c)}$ K/W	Case	$R_{th(c-s)}$ K/W	Circuit
1200V - IGBT4 (Trench)												
SEMiX603GB12E4SiCp ¹⁾	1110	600	1.80	28	80	0.037	390	1.40	0.14	3p	0.012	

Footnotes: 1) Sample status

Cases

SEMiX 3p



Dimensions in mm

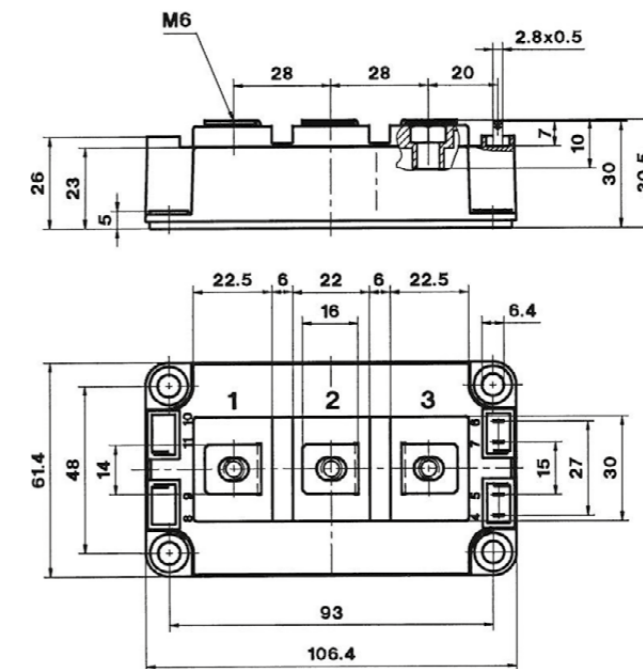
SiC Modules / Hybrid SiC / SEMITRANS

Type	IGBT						Diode			Module		
	$I_c @ T_c = 25^\circ\text{C}$ A	Current (A)	$V_{CE(sat)} @ T_j = 25^\circ\text{C typ.}$ V	E_{on} mJ	E_{off} mJ	$R_{th(j-c)}$ K/W	$I_f @ T_c = 25^\circ\text{C}$ A	V_f V	$R_{th(j-c)}$ K/W	Case	$R_{th(c-s)}$ K/W	Circuit
1200V - IGBT4 (Fast Trench)												
SKM200GB12F4SiC2 ¹⁾	281	200	2.06	7	17	0.14	246	1.40	0.21	3	0.038	
1200V - IGBT4 (Trench)												
SKM200GB12T4SiC2 ¹⁾	313	200	1.80	7	20	0.14	246	1.40	0.21	3	0.038	

Footnotes: 1) Sample status

Cases

SEMITRANS 3



Dimensions in mm

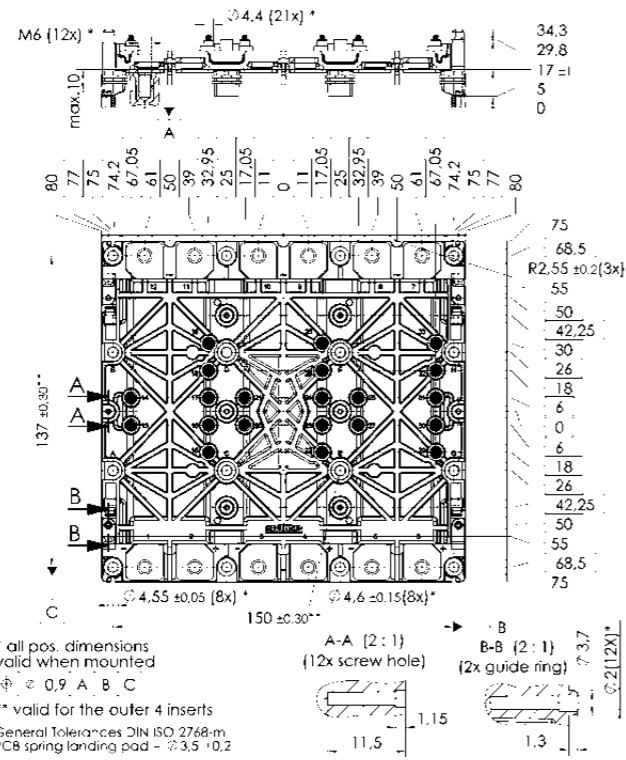
SiC Modules / Hybrid SiC / SKiM 63/93

Type	IGBT						Diode	Module			
	$I_c @ T_c = 25^\circ\text{C}$ A	Current (A)	$V_{CE(sat)} @ T_j = 25^\circ\text{C typ.}$ V	E_{on} mJ	E_{off} mJ	$R_{th(j-c)}$ K/W	$I_F @ T_c = 25^\circ\text{C}$ A	V_F V	$R_{th(j-c)}$ K/W	Case	Circuit
1200V - IGBT4 (Fast Trench)											
SKiM459GD12F4SC4 ¹⁾	507	450	2.05	9	35	0.092	375	1.40	0.15	93	

Footnotes: 1) Sample status

Cases

SKiM 93



Dimensions in mm

MOSFET Modules

Best in Class Switching Performance

SEMIKRON produces MOSFET (Metal Oxide Semiconductor Field Effect Transistor) modules in single switch, halfbridge, H-bridge and 6-pack configuration in SEMITOP and SEMITRANS packages.

The available MOSFET modules in the voltage range of 55V up to 600V and current ratings of 40A up to 290A are especially designed for high-speed switching offering low switching losses.

Product	Page
SEMITOP	98
SEMITRANS	100

For detailed information please refer to data sheets.

Further information:
www.semikron.com/mosfet-modules

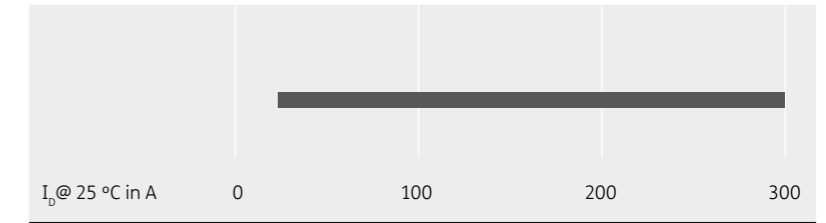
MOSFET Modules

SEMITOP®

6-pack
 H-bridge
 half bridge



55V up to 600V

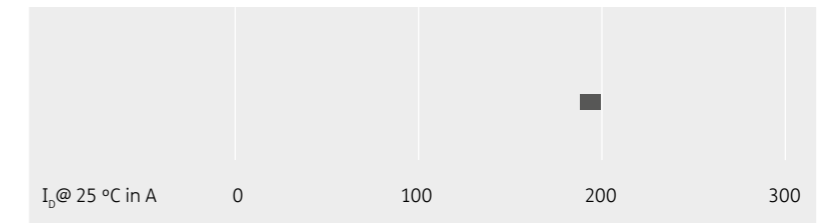


SEMITRANS®

single switch



100V up to 200V



MOSFET Modules / SEMITOP

Type	V_{DS} V	I_D @ $T_c = 25^\circ\text{C}$ A	$R_{DS(on)}$ @ $T_j = 25^\circ\text{C}$ typ. m Ω	$R_{th(j-c)}$ K/W	Case	Topology Picture
55V						
SK 80 MBBB 055	55	117	2.2	1.1	3	
75V						
SK 300 MB 075 ³⁾	75	290	-	0.45	3	
100V						
SK 260 MB 10	100	230	-	0.45	3	
SK 85 MH 10 T	100	80	-	1.1	2	

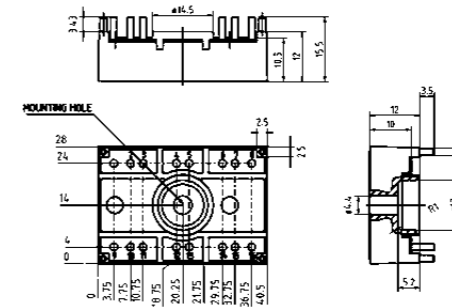
Footnotes: 3) Not for new designs

MOSFET Modules / SEMITOP

Cases

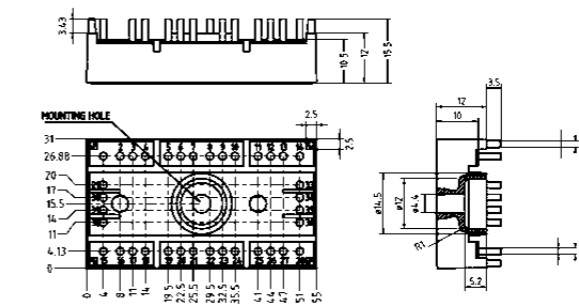
SEMITOP 2

dimensions in mm
tolerance system: ISO 2768-m



SEMITOP 3

dimensions in mm
tolerance system: ISO 2768-m



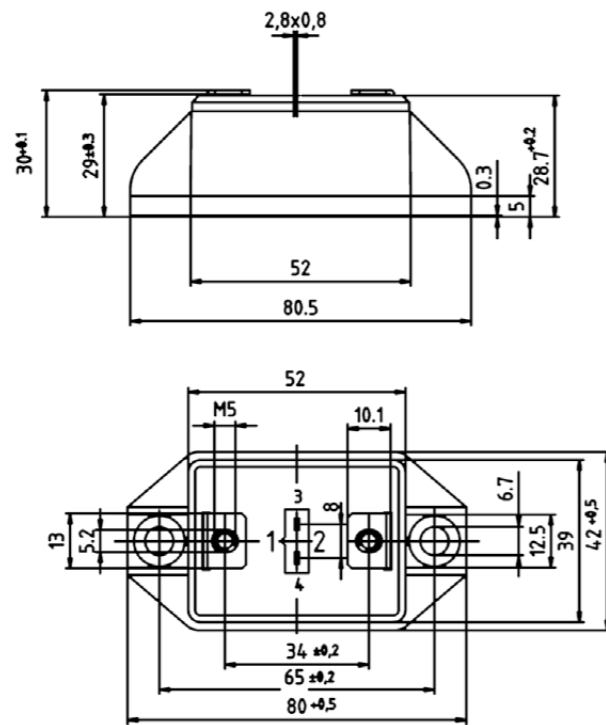
Dimensions in mm

MOSFET Modules / SEMITRANS

Type	V_{DS} V	$I_D @ T_c = 25^\circ\text{C}$ A	$R_{DS(on)} @ T_j = 25^\circ\text{C typ.}$ m Ω	$R_{th(j-c)}$ K/W	Case	Circuit
100V						
SKM 111 AR	100	200	7	0.18	M1	
SKM 111 RZR	100	200	7	0.18	M1	
200V						
SKM 180 A020	200	180	9	0.18	M1	

Cases

SEMISTRANS M1



Dimensions in mm

Thyristor / Diode Modules with Proven Packages

The SEMIKRON thyristor modules are available in different packages like SEMIPACK, SEMiSTART, Thyristor / Diode Modules, SEMIPONT and SEMITOP. Modules in different packaging technologies are available: soldered, wire bonded and pressure contact modules with and without baseplate.

PCB contacting is possible by soldered pins, pressfit contacts or plug connectors. The thyristor modules are offered in a variety of dual and single topologies for almost all phase control or rectifier applications.

All thyristor modules are equipped with SEMIKRON chips. The product line offers Thyristor / Diode Modules. A product range with voltages up to 2200V. Thanks to the comprehensive product range, the optimal solution for each application can be found.

Product	Page
SEMISTART	113
SEMIPACK 0 / 1 / 2 / 3 / 4 / 5 / 6	108
SEMIPONT 5	107
SEMIX 1 / 2	106
SEMISTOP 1 / 2 / 3	104

For detailed information please refer to data sheets.

Further information:
www.semikron.com/thyristor-diode-modules

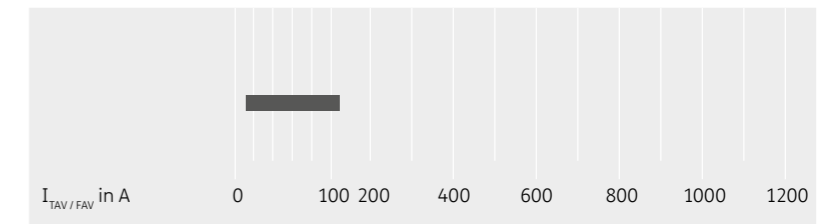
Thyristor / Diode Modules

SEMISTOP® 1/2/3

W1C, WT, W3C
 single switch



800V up to 1600V

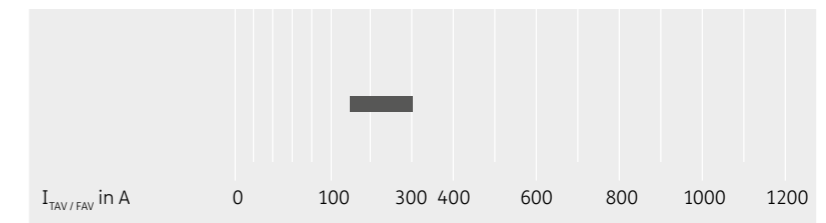


SEMIX® 1/2

half bridge



1600V

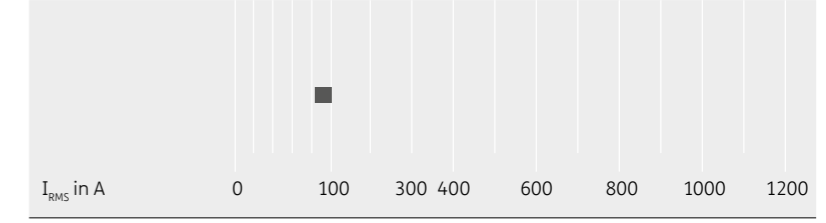


SEMIPONT® 5

W3C



1200V up to 1600V

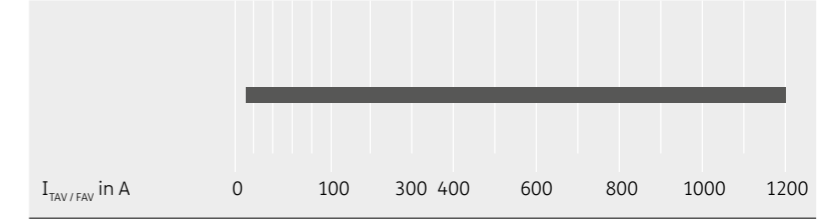


SEMIPACK® 0/1/2/3/4/5/6

single switch
 half bridge

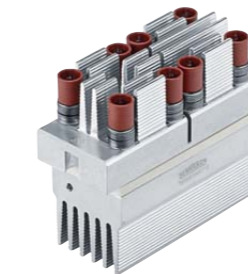


200V up to 2200V

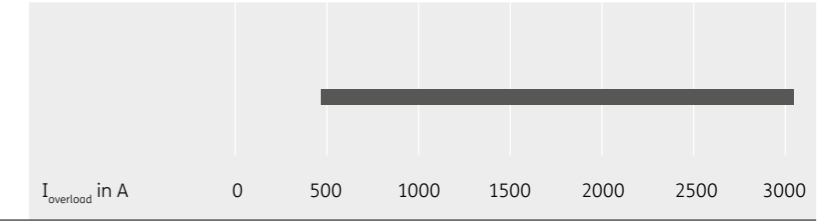


SEMISTART®

W1C



1400V up to 1800V



Thyristor / Diode Modules / SEMITOP

Type	V_{RRM} V_{DRM} V	I_{FAV} I_{FAV} @ T_s A	T_s °C	I_{TSM} I_{FSM} @ T_{jmax} A	$V_{T(VO)}$ @ T_{jmax} V	r_T @ T_{jmax} mΩ	$R_{th(j-a)}$ per chip K/W	T_j °C	Case	Circuit	
SK 25 KQ	800-1600	29	85	280	1.1	20.00	1.7	-40 ... +125	1		
SK 45 KQ	800-1600	47	85	380	1	10.00	1.2	-40 ... +125	1		
SK 70 KQ	800-1600	72	85	900	1	6.00	0.8	-40 ... +125	1		
SK 100 KQ	800-1600	101	85	1350	0.9	4.50	0.6	-40 ... +125	2		
SK 120 KQ	800-1600	134	85	1800	0.9	3.50	0.45	-40 ... +125	2		
SK 35 TAA ²⁾	800-1600	35	80	380	0.85	9.10	1.2	-40 ... +130	2		
SK 55 TAA	800-1600	55	80	900	0.85	5.70	0.8	-40 ... +130	2		
SK 75 TAA ²⁾	800-1600	75	80	1500	0.9	4.50	0.6	-40 ... +130	2		
SK 100 TAA ²⁾	800-1600	100	80	2000	0.9	3.50	0.45	-40 ... +130	2		
SK 75 TAE 12	1200	75	80	1250	0.85	4.40	0.6	-40 ... +130	2		
SK 25 WT	800-1600	29	85	280	1.1	20.00	1.7	-40 ... +125	2		
SK 45 WT	800-1600	47	85	380	1	10.00	1.2	-40 ... +125	2		
SK 70 WT	800-1600	72	85	900	1	6.00	0.8	-40 ... +125	3		
SK 100 WT	800-1600	101	85	1350	0.9	4.50	0.6	-40 ... +125	3		
SK 35 BZ ²⁾	800-1600	35	80	270	0.85	14.00	1.7	-40 ... +125	2		
SK 45 STA	800-1600	47	75	380	1	10.00	1.2	-40 ... +125	3		
SK 25 UT	800-1600	29	85	280	1.1	20.00	1.7	-40 ... +125	3		
SK 45 UT	800-1600	47	85	380	1	10.00	1.2	-40 ... +125	3		
SK 30 DTA	800-1600	25	80	900	1	6.00	1.7	-40 ... +150	3		
SK 60 DTA	800-1600	61	80	1350	0.9	0.60	0.6	-40 ... +125	3		
SK 80 DTA	800-1600	65	80	1800	0.9	3.50	1	-40 ... +150	3		

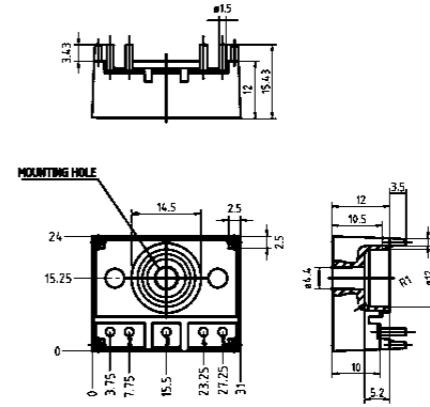
Footnotes: 2) In production new

Thyristor / Diode Modules / SEMITOP

Cases

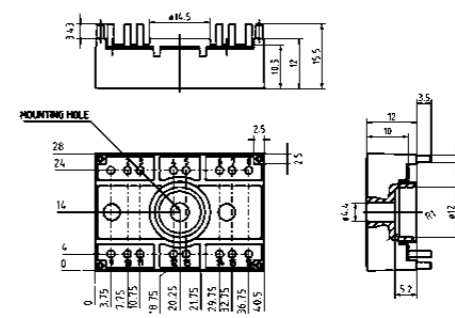
SEMITOR 1

dimensions in mm
tolerance system: ISO 2768-m



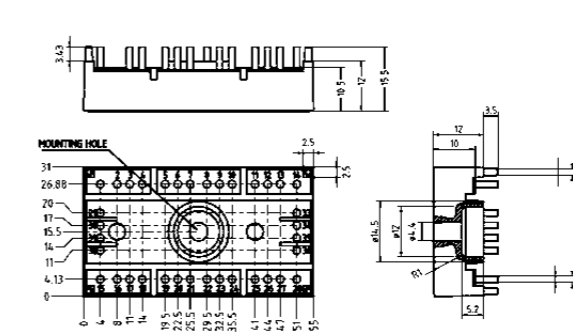
SEMITOR 2

dimensions in mm
tolerance system: ISO 2768-m



SEMITOR 3

dimensions in mm
tolerance system: ISO 2768-m



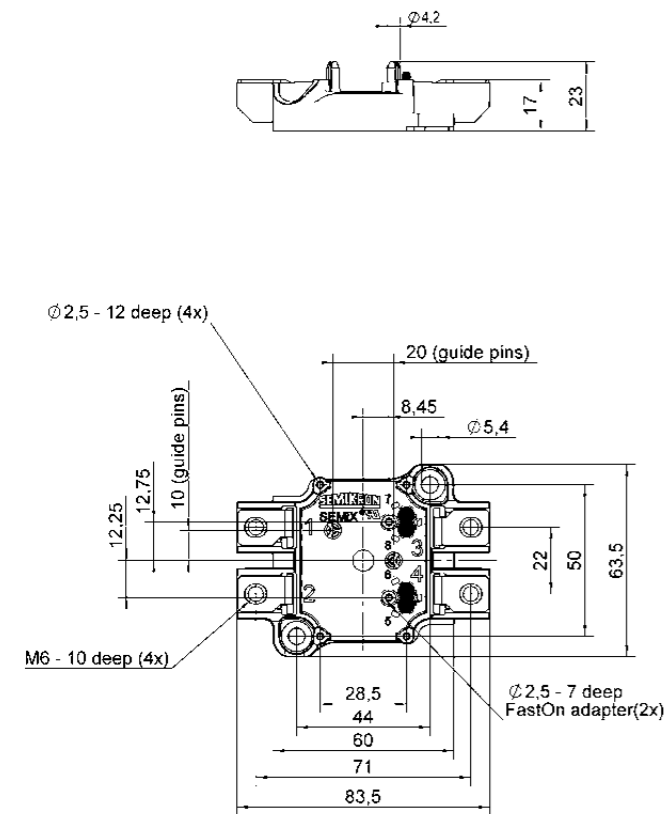
Dimensions in mm

Thyristor / Diode Modules / SEMiX

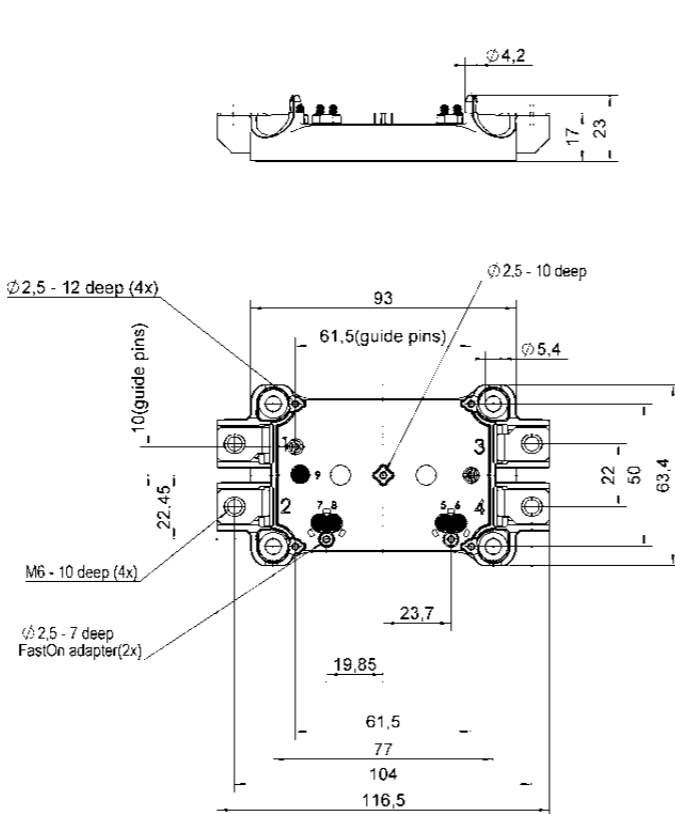
Type	$V_{RRM} V_{DRM}$ V	$I_{TAV} I_{FAV} @ T_c$ A	T_c °C	$I_{FSM} I_{FSM} @ T_{jmax}$ A	$V_{T(TO)} @ T_{jmax}$ V	$r_f @ T_{jmax}$ mΩ	$R_{th(j-c)}$ per chip K/W	$R_{th(c-s)}$ K/W	T_j °C	Case	Circuit
SEMiX191KD16s	1600	190	85	5000	0.85	0.95	0.18	0.075	-40 ... +130	1s	
SEMiX302KD16s	1600	300	85	7500	0.85	1.1	0.091	0.045	-40 ... +130	2s	
SEMiX171KH16s	1600	170	85	4800	0.85	1.5	0.18	0.075	-40 ... +130	1s	
SEMiX302KH16s	1600	300	85	8000	0.85	1.1	0.091	0.045	-40 ... +130	2s	
SEMiX141KT16s	1600	140	85	3000	0.85	2.1	0.21	0.075	-40 ... +130	1s	
SEMiX302KT16s	1600	300	85	8000	0.85	1.7	0.091	0.045	-40 ... +130	2s	

Cases

SEMiX 1s



SEMiX 2s



Dimensions in mm

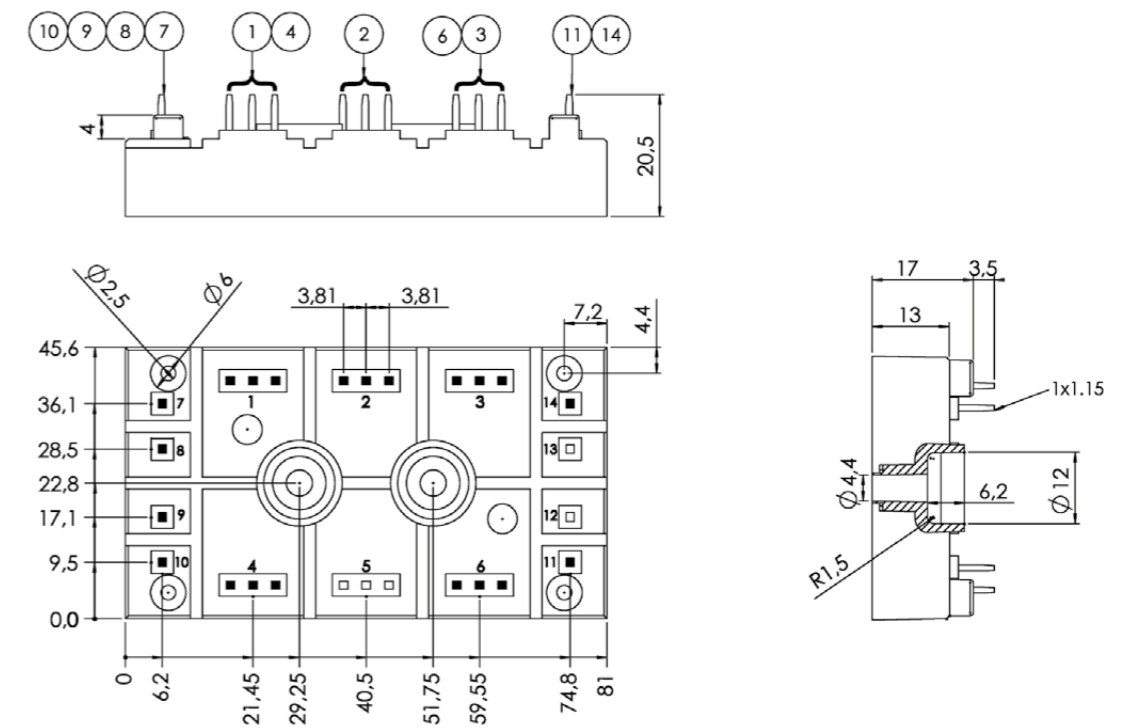
Thyristor / Diode Modules / SEMIPONT

Type	$V_{RRM} V_{DRM}$ V	$I_{TAV} I_{FAV} @ T_s$ A	T_s °C	$I_{FSM} I_{FSM} @ T_{jmax}$ A	$V_{T(TO)} @ T_{jmax}$ V	$r_f @ T_{jmax}$ mΩ	$R_{th(j-c)}$ cont. per chip K/W	T_j °C	Case	Circuit
SKUT 85/16 T V2 ²⁾	1600	94	85	1050	1.1	6.0	-	-40 ... +125	5	
SKUT 85/12 T V2 ²⁾	1200	94	85	1050	1.1	6.0	-	-40 ... +125	5	
SKUT 115/16T V2 ²⁾	1600	127	85	1250	0.9	5	-	-40 ... +125	5	
SKUT 115/12T V2 ²⁾	1200	127	85	1250	0.9	5	-	-40 ... +125	5	
SKUT 85/12 V2 ²⁾	1200	85	85	1050	1.1	6.0	0.85	-40 ... +125	5	
SKUT 85/16 V2 ²⁾	1600	85	85	1050	1.1	6.0	0.85	-40 ... +125	5	
SKUT 115/12 V2 ²⁾	1200	105	85	1250	0.9	5.0	0.63	-40 ... +125	5	
SKUT 115/16 V2 ²⁾	1600	105	85	1250	0.9	5.0	0.63	-40 ... +125	5	

Footnotes: 2) In production new

Cases

SEMIPONT 5



Dimensions in mm

Thyristor / Diode Modules / SEMIPACK

Type	V_{DRM} V	I_{FAV} @ T_c A	T_c °C	I_{FSM} @ T_{jmax} A	$V_{T(RO)}$ @ T_{jmax} V	r_T @ T_{jmax} mΩ	$R_{th(j-c)}$ cont. per chip K/W	$R_{th(c-a)}$ per chip K/W	T_j °C	Case	Circuit
SKET 330	800-2200	295	85	8000	1.2	0.55	0.09	0.02	-40 ... +130	4	
SKET 400	800-1800	392	85	12000	0.92	0.3	0.09	0.02	-40 ... +130	4	
SKET 741/22 E	2200	819	85	26500	0.82	0.17	0.0405	0.015	-40 ... +125	6	
SKET 801/18 E	1800	819	85	30000	0.82	0.17	0.0405	0.015	-40 ... +125	6	
SKKE 15	600-1600	14	85	280	0.85	15	2	0.2	-40 ... +125	0	
SKKE 81	400-2200	82	85	1750	0.85	1.8	0.4	0.2	-40 ... +125	1	
SKKE 162	800-1800	195	85	5000	0.85	1.2	0.18	0.1	-40 ... +135	2	
SKKE 380	1200-1600	380	100	10000	0.8	0.35	0.11	0.04	-40 ... +150	3	
SKKE 600	1200-2200	600	100	18000	0.75	0.25	0.07	0.02	-40 ... +150	4	
SKKE 1201/22	2200	1360	85	35000	0.75	0.073	0.047	0.015	-40 ... +125	6	
SKKL 92	800-1800	95	85	1750	0.9	2	0.28	0.2	-40 ... +125	1	
SKMT 92	800-1800	95	85	1750	0.9	2	0.28	0.2	-40 ... +125	1	
SKKD 15	600-1600	14	85	280	0.85	15	2	0.2	-40 ... +125	0	
SKKD 26	1200-1600	31	85	480	0.85	6	1	0.2	-40 ... +125	1	
SKKD 46	400-1800	47	85	600	0.85	5	0.6	0.2	-40 ... +125	1	
SKKD 81	400-1800	82	85	1750	0.85	1.8	0.4	0.2	-40 ... +125	1	
SKKD 81 H4	2000-2200	82	85	1750	0.85	1.8	0.4	0.2	-40 ... +125	1	
SKKD 100	400-1800	100	85	2000	0.85	1.3	0.35	0.2	-40 ... +125	1	
SKKD 101/16	1600	134	85	2000	0.87	2.45	0.19	0.22	-40 ... +130	1	
SKKD 152/16 H1	1600	171	85	4500	0.82	1.35	0.2	0.1	-40 ... +135	2	
SKKD 162	800-2200	195	85	5000	0.85	1.2	0.18	0.1	-40 ... +135	2	
SKKD 212	1200-1800	212	85	5500	0.75	1.05	0.18	0.1	-40 ... +135	2	
SKKD 260	800-2200	260	85	10000	0.9	0.37	0.14	0.04	-40 ... +130	3	
SKKD 353	1200-1800	350	85	9500	0.84	0.75	0.09	0.08	-40 ... +130	3	
SKKD 380	800-2200	380	100	10000	0.8	0.35	0.11	0.04	-40 ... +150	3	
SKKD 701	1200-2200	701	100	22500	0.7	0.28	0.069	0.02	-40 ... +160	5	
SKKH 15	600-1600	13.5	85	280	1.1	20	1.6	0.2	-40 ... +125	0	
SKKH 27	800-1800	25	85	480	0.9	12	0.9	0.2	-40 ... +125	1	
SKKH 42	800-1800	40	85	850	1	4.5	0.65	0.2	-40 ... +125	1	
SKKH 57	800-1800	50	85	1250	0.9	3.5	0.57	0.2	-40 ... +125	1	
SKKH 57 H4	2000-2200	50	85	1250	0.9	3.5	0.57	0.2	-40 ... +125	1	
SKKH 58/16 E	1600	55	85	1200	1	4.8	0.47	0.22	-40 ... +130	1	
SKKH 72	800-1800	70	85	1450	0.9	3.5	0.35	0.2	-40 ... +125	1	
SKKH 72 H4	2000-2200	70	85	1450	0.9	3.5	0.35	0.2	-40 ... +125	1	
SKKH 92	800-1800	95	85	1750	0.9	2	0.28	0.2	-40 ... +125	1	
SKKH 106	800-1800	106	85	1900	0.9	2	0.28	0.2	-40 ... +130	1	
SKKH 107/16 E	1600	119	85	1900	0.9	3.35	0.19	0.22	-40 ... +130	1	
SKKH 122	800-1800	129	85	3200	0.85	2	0.2	0.13	-40 ... +125	2	
SKKH 132	800-1800	137	85	4000	1	1.6	0.18	0.1	-40 ... +125	2	
SKKH 132 H4	2000-2200	128	85	3800	1.1	2	0.17	0.1	-40 ... +125	2	
SKKH 162	800-1800	156	85	5000	0.85	1.5	0.17	0.1	-40 ... +125	2	
SKKH 162 H4	2000-2200	143	85	4800	0.95	2	0.16	0.1	-40 ... +125	2	
SKKH 172	1600	175	85	5000	0.83	1.3	0.155	0.1	-40 ... +125	2	
SKKH 250	1200-1800	250	85	8000	0.925	0.45	0.14	0.04	-40 ... +130	3	
SKKH 273	1200-1800	273	85	8000	0.9	0.92	0.104	0.08	-40 ... +130	3	
SKKH 280 H4	2000-2200	252	85	7500	0.9	0.75	0.11	0.04	-40 ... +125	3	
SKKH 323	1200-1600	320	85	8200	0.81	0.85	0.091	0.08	-40 ... +130	3	
SKKH 330	800-1800	305	85	8000	0.8	0.6	0.11	0.04	-40 ... +130	3	
SKKH 460	1600-2200	460	85	15500	0.88	0.45	0.072	0.02	-40 ... +130	5	
SKKH 570	1600-1800	570	85	15500	0.78	0.32	0.069	0.02	-40 ... +135	5	

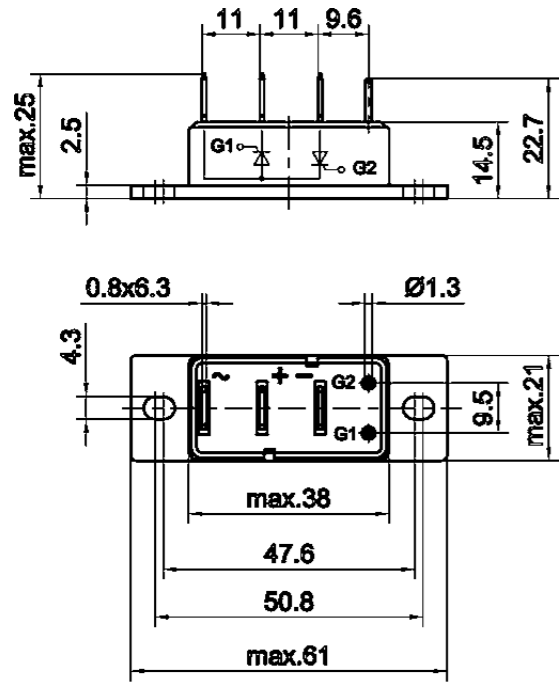
Thyristor / Diode Modules / SEMIPACK

Type	V_{DRM} V	I_{FAV} @ T_c A	T_c °C	I_{FSM} @ T_{jmax} A	$V_{T(RO)}$ @ T_{jmax} V	r_T @ T_{jmax} mΩ	$R_{th(j-c)}$ cont. per chip K/W	$R_{th(c-a)}$ per chip K/W	T_j °C	Case	Circuit
SKKT 15	600-1600	13.5	85	280	1.1	20	1.6	0.2	-40 ... +125	0	
SKKT 20	800-1600	18	85	280	1	16	1.2	0.2	-40 ... +125	1	
SKKT 20B	800-1600	18	85	280	1	16	1.2	0.2	-40 ... +125	1	
SKKT 27	800-1600	25	85	480	0.9	12	0.9	0.2	-40 ... +125	1	
SKKT 27B	800-1600	25	85	480	0.9	12	0.9	0.2	-40 ... +125	1	
SKKT 42	800-1800	40	85	850	1	4.5	0.65	0.2	-40 ... +125	1	
SKKT 42B	800-1800	40	85	850	1	4.5	0.65	0.2	-40 ... +125	1	
SKKT 57	800-1800	50	85	1250	0.9	3.5	0.57	0.2	-40 ... +125	1	
SKKT 57B	800-1800	50	85	1250	0.9	3.5	0.57	0.2	-40 ... +125	1	
SKKT 57 H4	2000-2200	50	85	1250	0.9	3.5	0.57	0.2	-40 ... +125	1	
SKKT 58/16 E	1600	55	85	1200	1	4.8	0.47	0.22	-40 ... +130	1	
SKKT 58B16 E	1600	55	85	1200	1	4.8	0.47	0.22	-40 ... +130	1	
SKKT 72	800-1800	70	85	1450	0.9	3.5	0.35	0.2	-40 ... +125	1	
SKKT 72B	800-1800	70	85	1450	0.9	3.5	0.35	0.2	-40 ... +125	1	
SKKT 72 H4	2000-2200	70	85	1450	0.9	3.5	0.35	0.2	-40 ... +125	1	
SKKT 92	800-1800	95	85	1750	0.9	2	0.28	0.2	-40 ... +125	1	
SKKT 92B	800-1800	95	85	1750	0.9	2	0.28	0.2	-40 ... +125	1	
SKKT 106	800-1800	106	85	1900	0.9	2	0.28	0.2	-40 ... +130	1	
SKKT 106B	800-1800	106	85	1900	0.9	2	0.28	0.2	-40 ... +130	1	
SKKT 107/16 E	1600	119	85	1900	0.9	3.35	0.19	0.22	-40 ... +130	1	
SKKT 107B16 E	1600	119	85	1900	0.9	3.35	0.19	0.22	-40 ... +130	1	
SKKT 122	800-1800	129	85	3200	0.85	2	0.2	0.13	-40 ... +125	2	
SKKT 132	800-1800	137	85	4000	1	1.6	0.18	0.1	-40 ... +125	2	
SKKT 132 H4	2000-2200	128	85	3800	1.1	2	0.17	0.1	-40 ... +125	2	
SKKT 162	800-1800	156	85	5000	0.85	1.5	0.17	0.1	-40 ... +125	2	
SKKT 162 H4	2000-2200	143	85	4800	0.95	2	0.16	0.1	-40 ... +125	2	
SKKT 172	1400-1800	175	85	5000	0.83	1.3	0.155	0.1	-40 ... +125	2	
SKKT 250	800-1800	250	85	8000	0.925	0.45	0.14	0.04	-40 ... +130	3	
SKKT 273	1200-1800	273	85	8000	0.9	0.92	0.104	0.08	-40 ... +130	3	
SKKT 280 H4	2000-2200	252	85	7500	0.9	0.75	0.11	0.04	-40 ... +125	3	
SKKT 330	800-1800	305	85	8000	0.8	0.6	0.11	0.04	-40 ... +130	3	
SKKT 323	1200-1600	320	85	8200	0.81	0.85	0.091	0.08	-40 ... +130	3	
SKKT 460/16 E	1600	460	85	15500	0.88	0.45	0.072	0.02	-40 ... +130	5	
SKKT 460/22 E H4	2200	460	85	15500	0.88	0.45	0.072	0.02	-40 ... +130	5	
SKKT 570	1200-1800	570	85	15500	0.78	0.32	0.069	0.02	-40 ... +135	5	

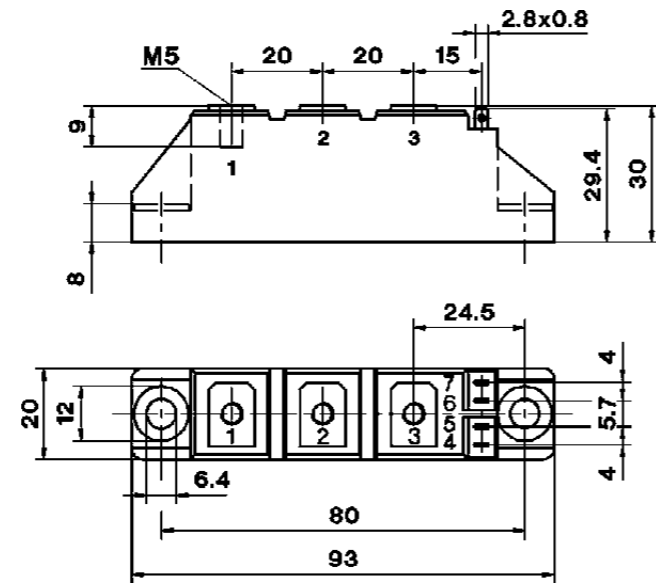
Thyristor / Diode Modules / SEMIPACK

Cases

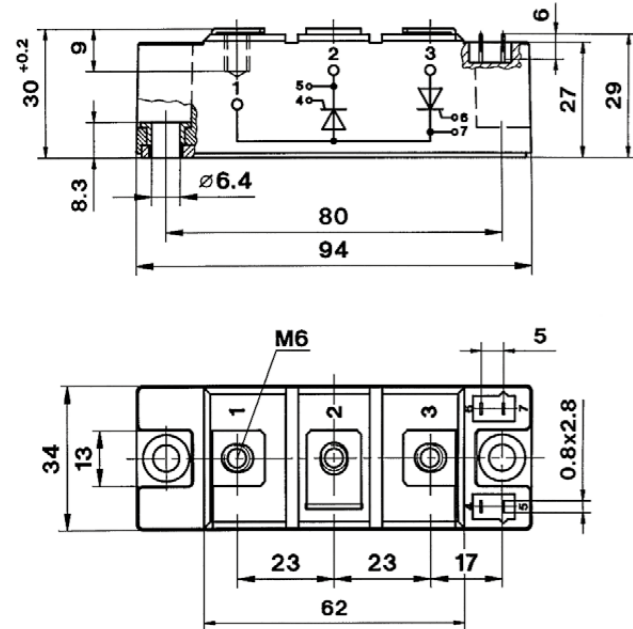
SEMIPACK 0



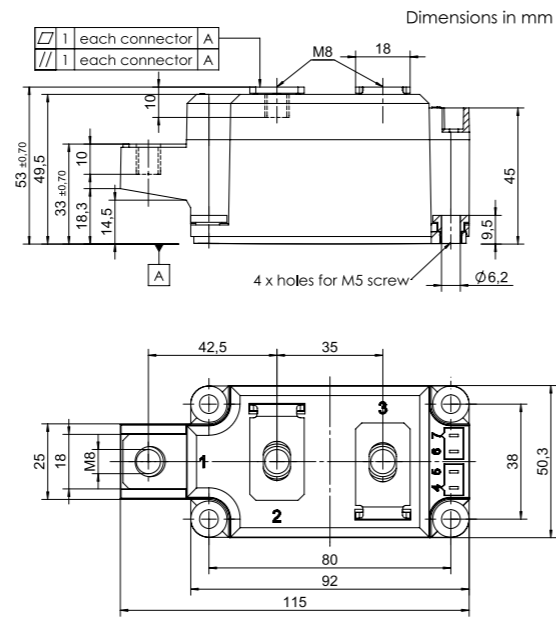
SEMIPACK 1



SEMIPACK 2



SEMIPACK 3



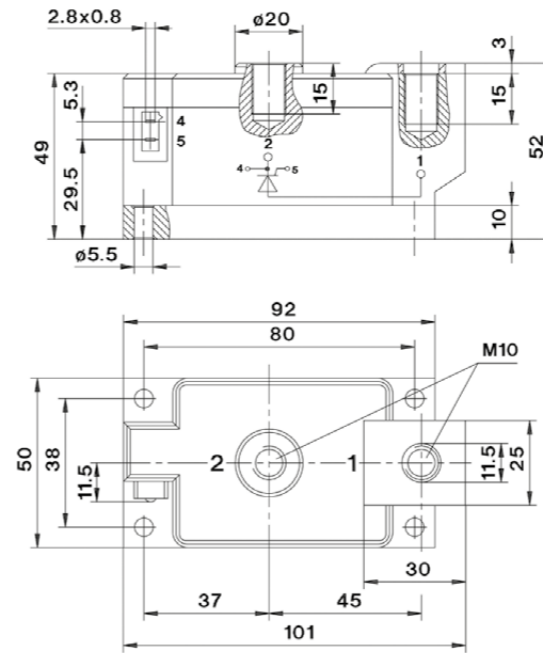
Dimensions in mm

General tolerance ± 0.5 mm

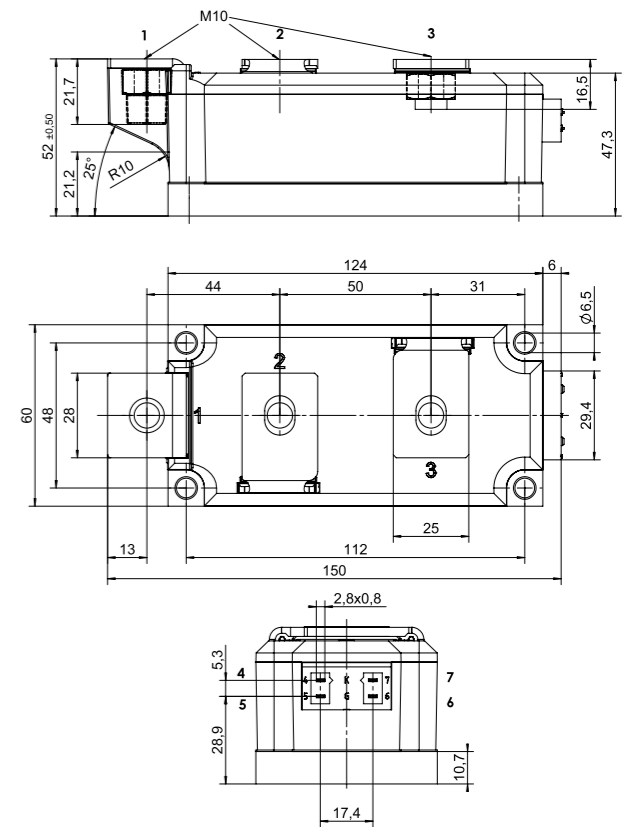
Thyristor / Diode Modules / SEMIPACK

Cases

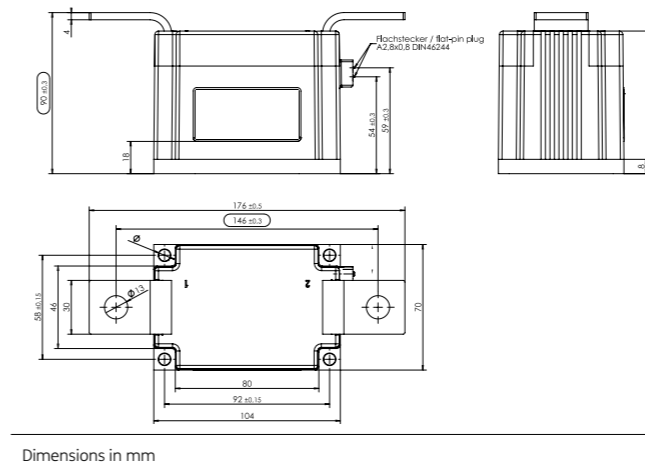
SEMIPACK 4



SEMIPACK 5



SEMIPACK 6



Dimensions in mm

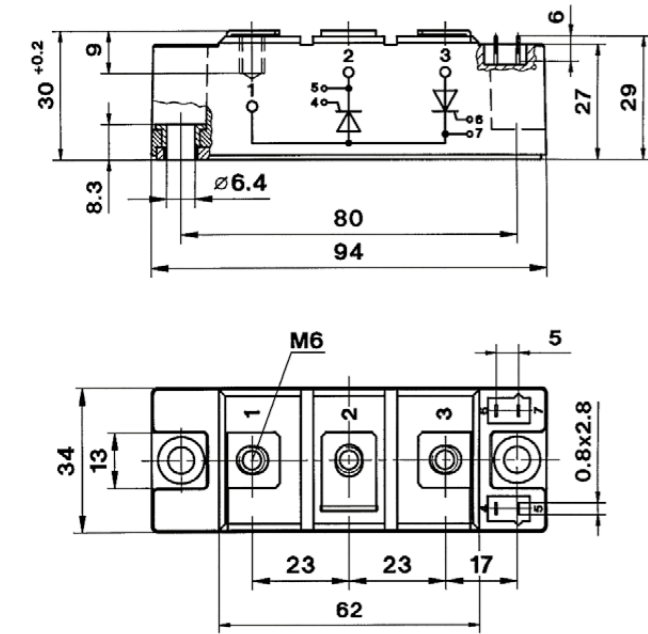
Thyristor / Diode Modules / SEMIPACK FAST

Type	V_{RRM} V	V_{DRM} V	I_{TAV} A	$I_{TAV} @ T_c$ A	T_c °C	I_{FSM} A	$I_{FSM} @ T_{jmax}$ A	$V_{T(ro)}$ V	$V_{T(ro)} @ T_{jmax}$ V	r_T mΩ	$r_T @ T_{jmax}$ mΩ	$R_{th(j-c)}$ K/W	$R_{th(c-s)}$ K/W	T_j °C	Case	Circuit	
SKKE 120F	1700		120	82	1800	1.5	4.5	0.2	0.05	-40 ... +150	2						
SKKE 290F	600		290	109	6000	0.9	1.2	0.08	0.05	-40 ... +150	2						
SKKE 301F	1200		300	43	3600	1.2	2.75	0.11	0.05	-40 ... +150	2						
SKKE 310F	1200		310	84	5500	1.2	1.9	0.08	0.05	-40 ... +150	2						
SKKE 330F ⁵⁾	1700		330	70	5200	1.5	1.9	0.079	-	-40 ... +150	4						
SKKE600F12 ⁵⁾	1200		600	85	5800	1.2	1.9	0.062	-	-40 ... +150	4						
SKKD 40F	600-1000		40	80	940	1.2	4	0.7	0.2	-40 ... +125	1						
SKKD 42F	1200-1400		42	85	1100	1	5	0.7	0.2	-40 ... +130	1						
SKKD 60F	1700		60	83	900	1.5	9	0.4	0.1	-40 ... +150	2						
SKKD 75F12	1200		75	55	900	1.2	11	0.4	0.1	-40 ... +150	2						
SKKD 150F	1200		150	54	1800	1.2	5.5	0.2	0.1	-40 ... +150	2						
SKKD 170F	1200		170	85	2300	1.2	3.5	0.14	0.1	-40 ... +150	2						
SKKD 205F	600		205	87	3000	0.9	2	0.16	0.1	-40 ... +150	2						
SKMD 150F12	1200		150	54	1800	1.2	5.5	0.2	0.1	-40 ... +150	2						
SKND 150F	1200		150	54	1800	1.2	5.5	0.2	0.1	-40 ... +150	2						
SKND 205F	600		205	87	3000	0.9	2	0.16	0.1	-40 ... +150	2						

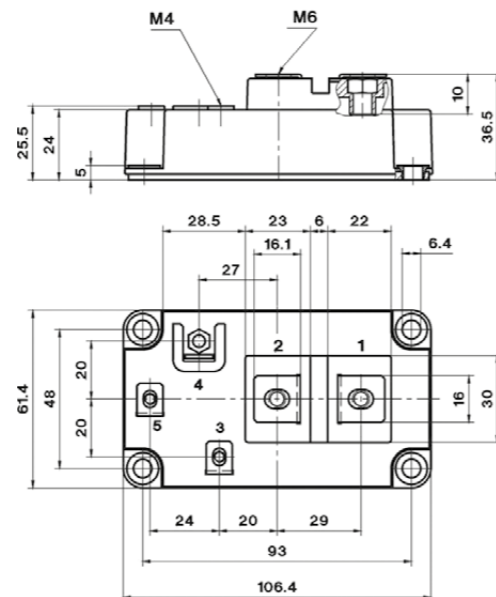
Footnotes: 5) SEMIPACK Fast in SEMITRANS 4 case

Cases

SEMIPACK 2



SEMIPACK Fast in SEMITRANS 4



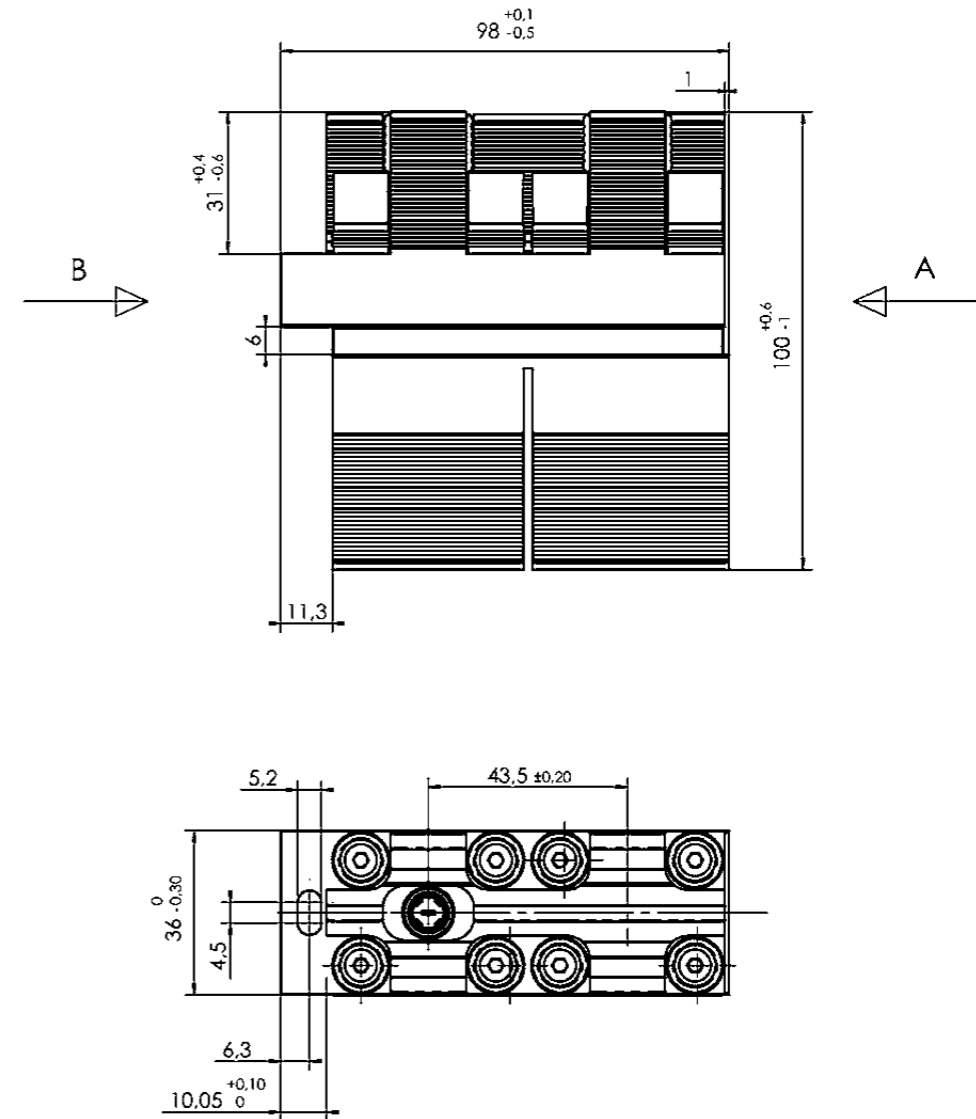
Dimensions in mm

Thyristor Modules / SEMiSTART

Type	V_{RRM} V	V_{DRM} V	$I_{T(overload)}$ A	T_c °C	$I_{FSM} @ T_j = 125°C$ A	$V_{T(ro)}$ V	$V_{T(ro)} @ T_{jmax} = 125°C$ V	$r_T @ T_{jmax} = 125°C$ mΩ	$R_{th(j-c)}$ K/W	$R_{th(j-c)}$ cont. per chip K/W	T_{jmax} (for 20s) °C	Case	Circuit
SKKQ 560	1400-1800		560	150	5200	0.9	0.9	0.106	150	1			
SKKQ 800	1400-1800		800	150	5200	0.9	0.8	0.106	150	2			
SKKQ 1200	1400-1800		1225	150	8000	0.9	0.5	0.066	150	2			
SKKQ 1500	1400-1800		1500	150	15000	0.85	0.3	0.037	150	2			
SKKQ 3000	1400-1800		3080	150	25500	0.95	0.18	0.026	150	3			

Cases

SEMiSTART 1

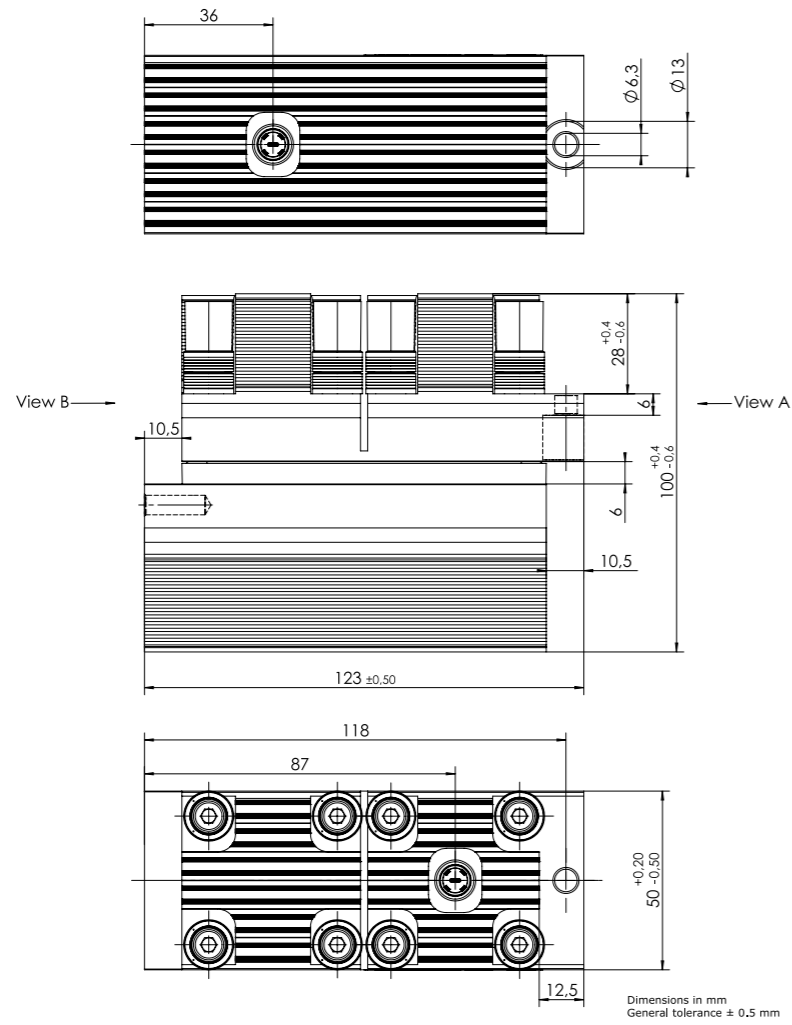


Dimensions in mm

Thyristor Modules / SEMiSTART

Cases

SEMISTART 2

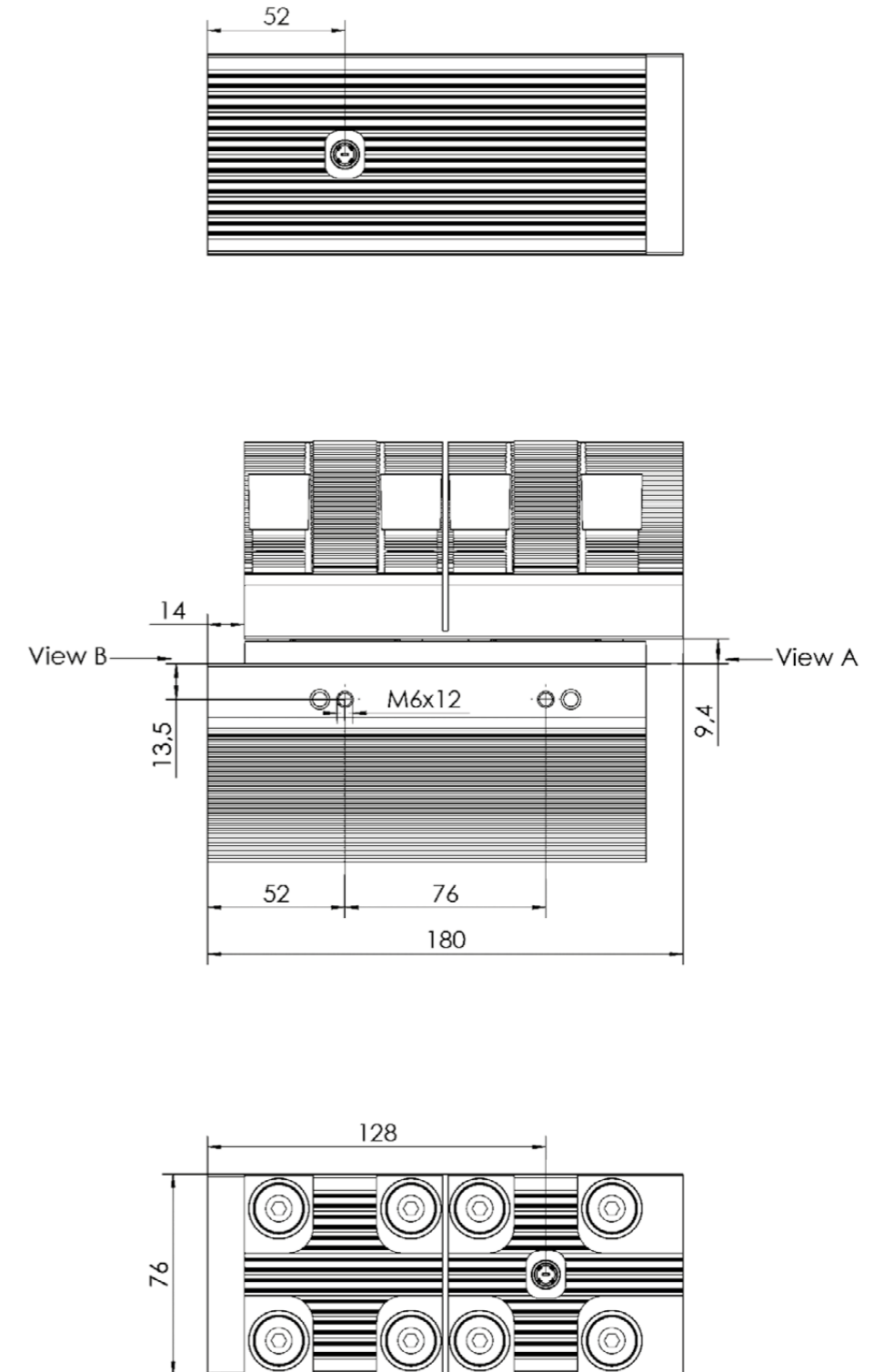


Dimensions in mm

Thyristor Modules / SEMiSTART

Cases

SEMISTART 3



Dimensions in mm

Bridge Rectifier Modules for Reliable Inverter Design

Bridge rectifiers are components which have every branch of a rectifier circuit in a single, compact case. Bridge rectifiers exist from a few amps to several hundred amps in different package types.

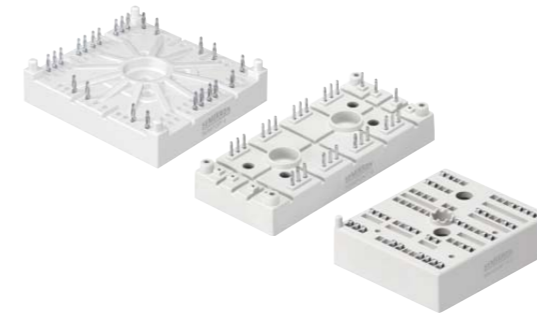
SEMIKRON offers bridge rectifier modules in single phase or 3-phase topology with or without brake chopper. The bridge rectifier modules are available in different package like SEMiX, SEMITOP, SEMIPONT, Power Bridge and MiniSKiiP.

Product	Page
MiniSKiiP	118
SEMITOP	120
SEMIPONT	122
SEMIX	126
Power Bridge	127

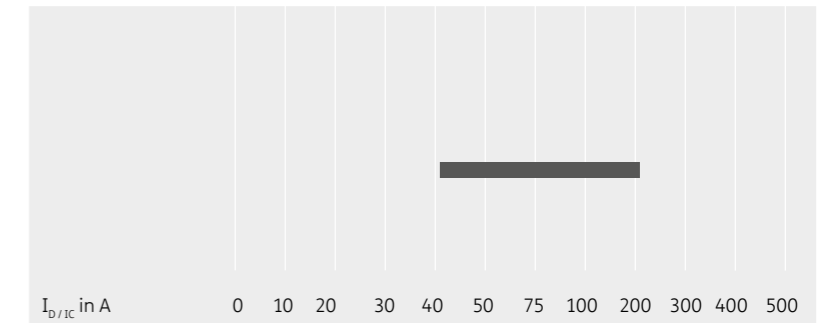
Bridge Rectifier Modules

SEMIPONT®/SEMIPONT®/MiniSKiiP®

rectifier with brake chopper



600V up to 1800V

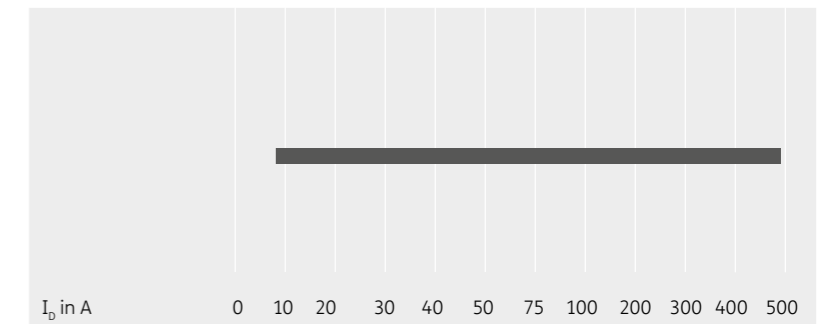


SEMIPONT®/SEMIPONT®/SEMIX®/ Power Bridge

three phase



400V up to 1800V

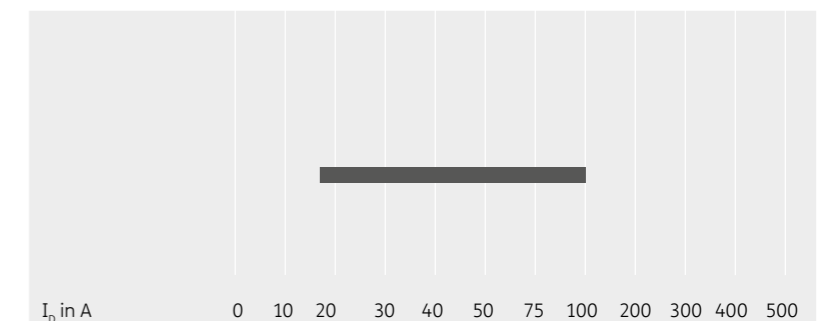


SEMIPONT®/SEMIPONT®/ Power Bridge

single phase



400V up to 1800V



For detailed information please refer to data sheets.

Further information:
www.semikron.com/bridge-rectifier-modules

Bridge Rectifier Modules / MiniSKiiP

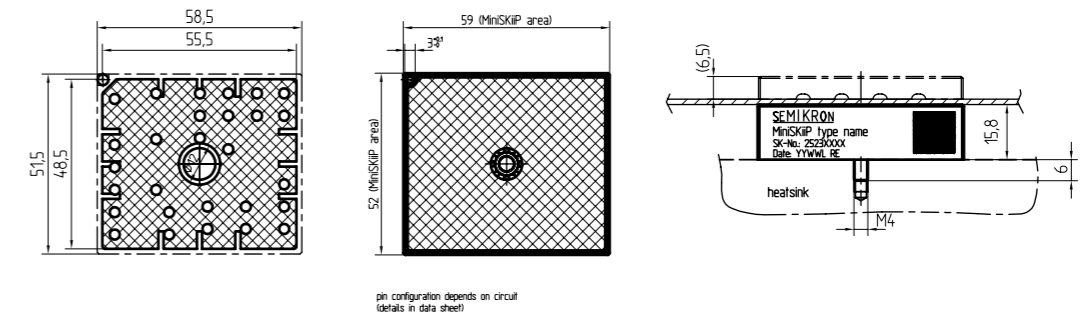
Type	IGBT		Diode				Rectifier		Module						
	$I_c@T_s=25^\circ\text{C}$	I_{cnom}	$V_{CE(sat)}@T_j=25^\circ\text{C typ.}$	E_{on}	E_{off}	$R_{th(j-c)}$	$I_F@T_s=25^\circ\text{C}$	$V_F@T_s=25^\circ\text{C typ.}$	E_{rr}	$R_{th(j-c)}$	$R_{th(j-c)}$	$I_{FSM}@T_s=25^\circ\text{C}$	Case	$R_{th(c-a)}$	Circuit
	A	A	V	mJ	mJ	K/W	A	V	mJ	K/W	K/W	A		K/W	
1200V - IGBT3 (Trench)															
SKiiP 28ANB16V1	1000	83	1.70	13.1	13	0.4	118	1.60	11.2	0.55	0.7	1000	II 2	t.b.d	
SKiiP 39ANB16V1	1600	124	1.70	19.9	17.2	0.3	167	1.50	16.2	0.4	0.5	1600	II 3	t.b.d	
1700V - IGBT3 (Trench)															
SKiiP 28AHB16V1	1000	82	1.70	14.4	13.3	0.4	118	1.60	10.8	0.55	0.7	1000	II 2	t.b.d	
SKiiP 39AHB16V1	1250	121	1.70	19.9	17.3	0.3	167	1.50	16.2	0.4	0.5	1250	II 3	t.b.d	
1700V - IGBT3 (Trench)															
SKiiP 28ANB18V3 ²⁾	1000	98	2.00	23	32.7	0.33	119	1.76	26.4	0.58	0.64	1000	II 2	t.b.d	

Footnotes: 2) In production new

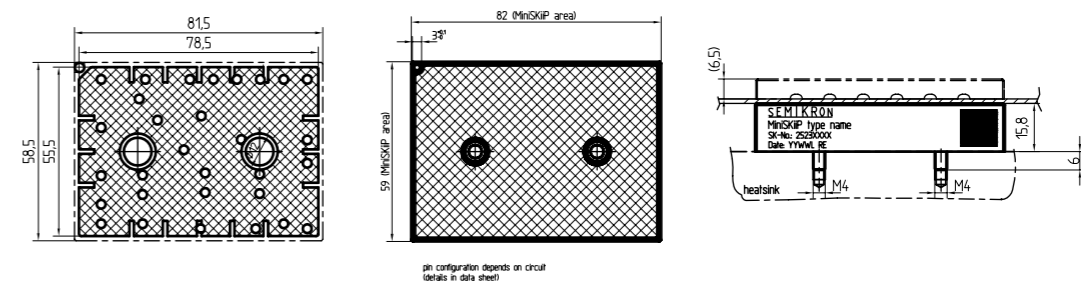
Bridge Rectifier Modules / MiniSKiiP

Cases

MiniSKiiP II 2



MiniSKiiP II 3



Dimensions in mm

Bridge Rectifier Modules / SEMITOP

Type	V_{RRM} V_{DRM} V	I_D @ T_s A	T_s °C	I_{FSM} $I_{FSM}@T_{jmax}$ A	$V_{T(ro)}$ @ T_{jmax} V	r_T @ T_{jmax} mΩ	$R_{th(j-c)}$ per chip K/W	T_j °C	Case	Circuit
1 and 3 phase										
SK 50 B 06 UF ²⁾	600	46	80	400	0.8	11.00	0.45	-40 ... +150	2	
SK 50 B	800-1600	51	80	270	0.8	13.00	1.7	-40 ... +150	2	
SK 55 B 06 F	600	54	80	440	0.9	16.00	1.2	-40 ... +150	2	
SK 55 B 12 F	1200	57	80	550	1.2	22.00	0.9	-40 ... +150	2	
SK 70 B	800-1600	68	80	560	0.8	11.00	1.2	-40 ... +150	2	
SK 100 B ²⁾	800-1600	100	80	890	0.83	3.90	1	-40 ... +150	2	
SK 40 DT	800-1600	42	80	280	1.1	20.00	1.7	-40 ... +125	3	
SK 70 DT	800-1600	68	80	380	1	10.00	1.2	-40 ... +125	3	
SK 55 D	800-1600	55	80	200	0.8	13.00	2.15	-40 ... +150	2	
SK 70 D	800-1600	70	80	270	0.8	13.00	1.7	-40 ... +150	2	
SK 80 D 12F	1200	80	80	550	1.2	22.00	0.9	-40 ... +150	3	
SK 95 D	800-1600	95	80	560	0.8	11.00	1.2	-40 ... +150	2	
SK 95 D 16p ¹⁾	1600	95	80	560	0.8	11.00	1.2	-40 ... +150	2p	
SK 40 DH	800-1600	42	80	270	1.1	20.00	1.7	-40 ... +150	3	
SK 70 DH	800-1600	68	80	270	1	10.00	1.2	-40 ... +125	3	
SK 55 DGL 126	1200	55	80	370	0.8	13.00	2	-40 ... +150	3	
SK 95 DGL 126 ²⁾	1600	96	80	700	0.8	11.00	1.2	-40 ... +150	3	
SK 170 DHL 126 ¹⁾	1200	170	70	1000	0.8	7.00	0.51	-40 ... +150	4	
SK 200 DHL 066 ¹⁾	600	210	70	1250	0.8	4.00	0.52	-40 ... +150	4	

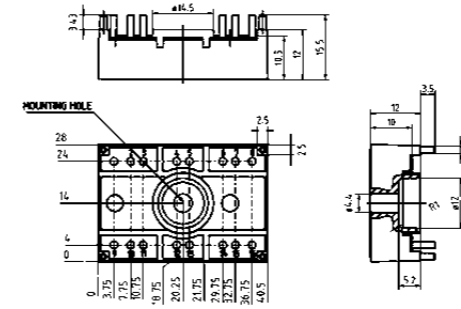
Footnotes: 1) Sample status / 2) In production new

Bridge Rectifier Modules / SEMITOP

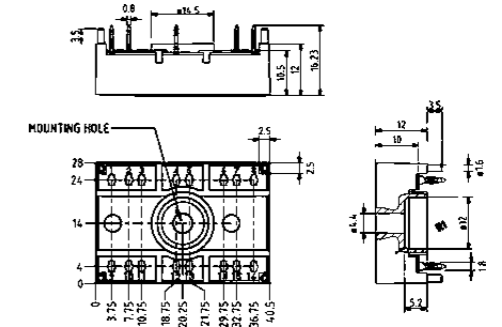
Cases

SEMITOR 2

dimensions in mm
tolerance system: ISO 2768-m

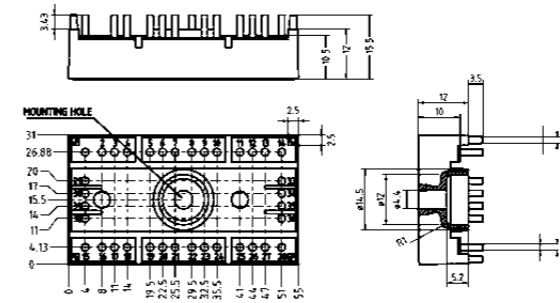


SEMITOR 2 Press-Fit



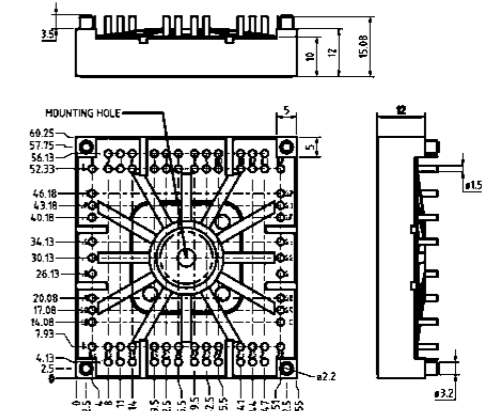
SEMITOR 3

dimensions in mm
tolerance system: ISO 2768-m



SEMITOR 4

dimensions in mm
tolerance system: ISO 2768-m



Dimensions in mm

Bridge Rectifier Modules / SEMIPONT

Type	$V_{\text{RERH}} V_{\text{DRM}}$ V	$I_p @ T_c$ A	T_c °C	$I_{\text{FSM}} I_{\text{FSM}} @ T_{\text{jmax}}$ A	$V_{\text{ITTO}} @ T_{\text{jmax}}$ V	$r_f @ T_{\text{jmax}}$ mΩ	$R_{\text{th(j-c)}} \text{ cont. per chip}$ K/W	T_j °C	Case	Circuit
1 and 3 phase										
SKB 52	400-1800	50	99	425	0.85	8.0	1.5	-40 ... +150	3	
SKB 60	400-1600	60	88	850	0.85	5.0	1	-40 ... +125	2	
SKB 72	400-1800	70	101	640	0.85	5.0	1.1	-40 ... +150	3	
SKBH 28	600-1400	28	89	280	1	16.0	1.8	-40 ... +125	1	
SKBZ 28	400-1400	28	89	280	1	16.0	1.8	-40 ... +125	1	
SKBT 28	600-1400	28	89	280	1	16.0	1.8	-40 ... +125	1	
SKBT 40	800-1400	40	92	400	1	16.0	1	-40 ... +125	2	
SKCH 28	400-1400	28	89	280	1	16.0	1.8	-40 ... +125	1	
SKCH 40	400-1600	40	92	400	1	16.0	1	-40 ... +125	2	

Footnotes: 2) In production new / 3) Not for new designs

Bridge Rectifier Modules / SEMIPONT

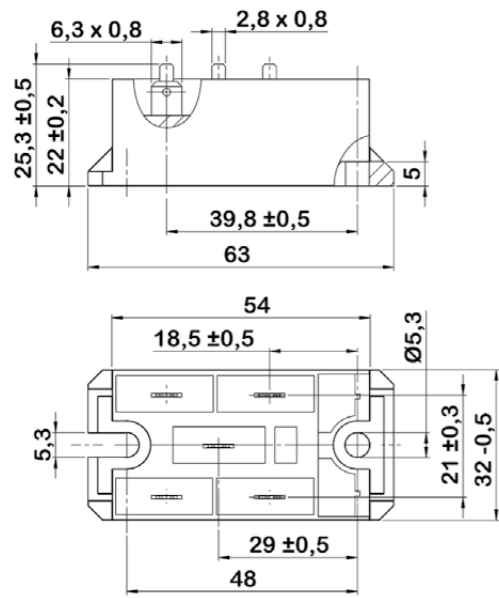
Type	$V_{\text{RERH}} V_{\text{DRM}}$ V	$I_p @ T_c$ A	T_c °C	$I_{\text{FSM}} I_{\text{FSM}} @ T_{\text{jmax}}$ A	$V_{\text{ITTO}} @ T_{\text{jmax}}$ V	$r_f @ T_{\text{jmax}}$ mΩ	$R_{\text{th(j-c)}} \text{ cont. per chip}$ K/W	T_j °C	Case	Circuit
1 and 3 phase										
SKDT 60	400-1400	60	86	400	1	16.0	1	-40 ... +125	2	
SKDT 115³⁾	1200-1600	110	80	950	1.1	6.0	0.84	-40 ... +125	5	
SKDT 145	1200-1600	145	80	1250	0.9	5.0	0.6	-40 ... +125	5	
SKD 31	200-1600	31	100	320	0.85	12.0	2	-40 ... +125	1	
SKD 60	400-1600	60	102	850	0.85	5.0	1	-40 ... +125	2	
SKD 62	400-1800	60	110	425	0.85	8.0	1.5	-40 ... +150	3	
SKD 82	400-1800	80	110	640	0.85	5.0	1.1	-40 ... +150	3	
SKD 100	400-1600	100	93	1000	0.85	5.0	0.85	-40 ... +125	2	
SKD 110	800-1800	110	100	1000	0.85	4.0	0.9	-40 ... +150	4	
SKD 115	1200-1800	110	85	1150	0.8	7.0	1	-40 ... +150	5	
SKD 145	1200-1800	145	85	1700	0.8	4.0	0.8	-40 ... +150	5	
SKD 160	800-1800	205	85	1500	0.85	3.0	0.65	-40 ... +150	4	
SKD 210	900-1800	207	99	1600	0.85	3.0	0.5	-40 ... +150	4	
SKDH 100	800-1400	100	84	850	1	4.5	0.85	-40 ... +125	2	
SKDH 115	1200-1600	110	80	950	1.1	6.0	0.84	-40 ... +125	5	
SKDH 145	1200-1600	145	80	1250	0.9	5.0	0.63	-40 ... +125	5	
3 phase with brake chopper										
SKD 146/..-L105²⁾	1200-1600	140	85	1250	0.8	4.0	0.8	-40 ... +125	6	
SKD 146/..-L140T4²⁾	1200-1600	140	85	1250	0.8	4.0	0.8	-40 ... +125	6	
SKD 116/18-L 75	1800	110	85	1050	0.8	7.0	0.8	-40 ... +125	6	
SKD 116/..-L105²⁾	1200-1600	110	85	1050	0.8	7.0	1	-40 ... +125	6	
SKD 116/..-L140²⁾	1200-1600	110	85	1050	0.8	7.0	1	-40 ... +125	6	
SKDH116/..L105²⁾	1200-1600	110	85	1000	0.8	7.0	1	-40 ... +125	6	
SKDH116/..L140²⁾	1200-1600	110	85	1000	0.8	7.0	1	-40 ... +125	6	
SKDH146/..-L105²⁾	1200-1600	140	85	1250	0.8	4.0	0.8	-40 ... +125	6	
SKDH146/..-L140²⁾	1200-1600	140	85	1250	0.8	4.0	0.8	-40 ... +125	6	

Footnotes: 2) In production new / 3) Not for new designs

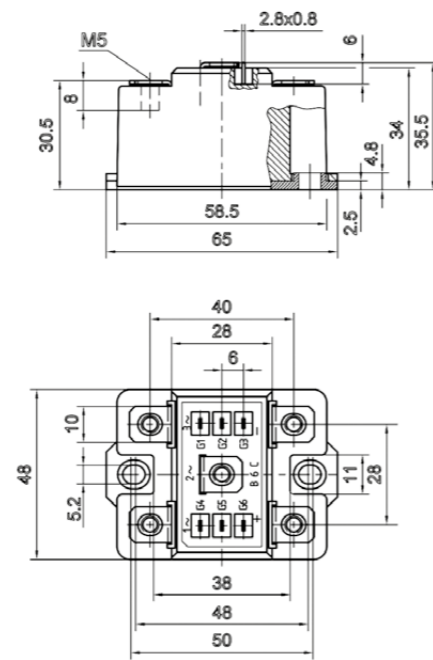
Bridge Rectifier Modules / SEMIPONT

Cases

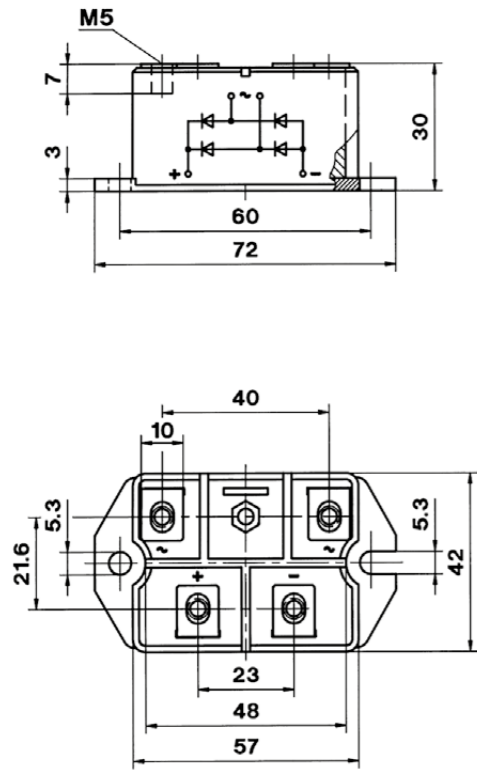
SEMIPONT 1



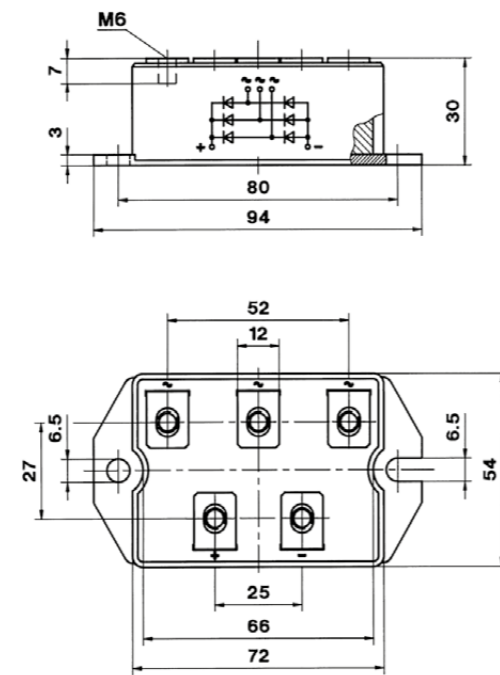
SEMIPONT 2



SEMIPONT 3



SEMIPONT 4

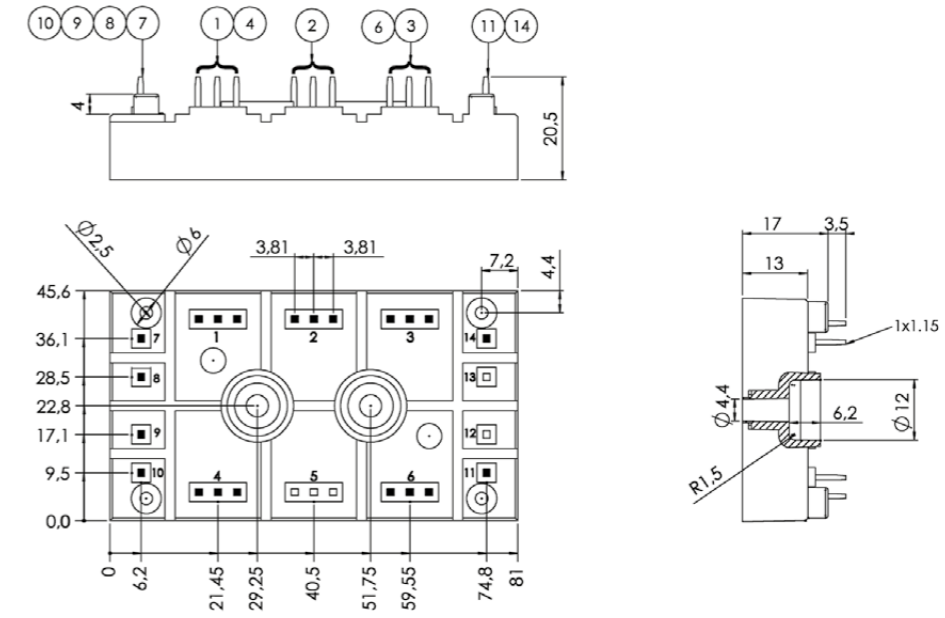


Dimensions in mm

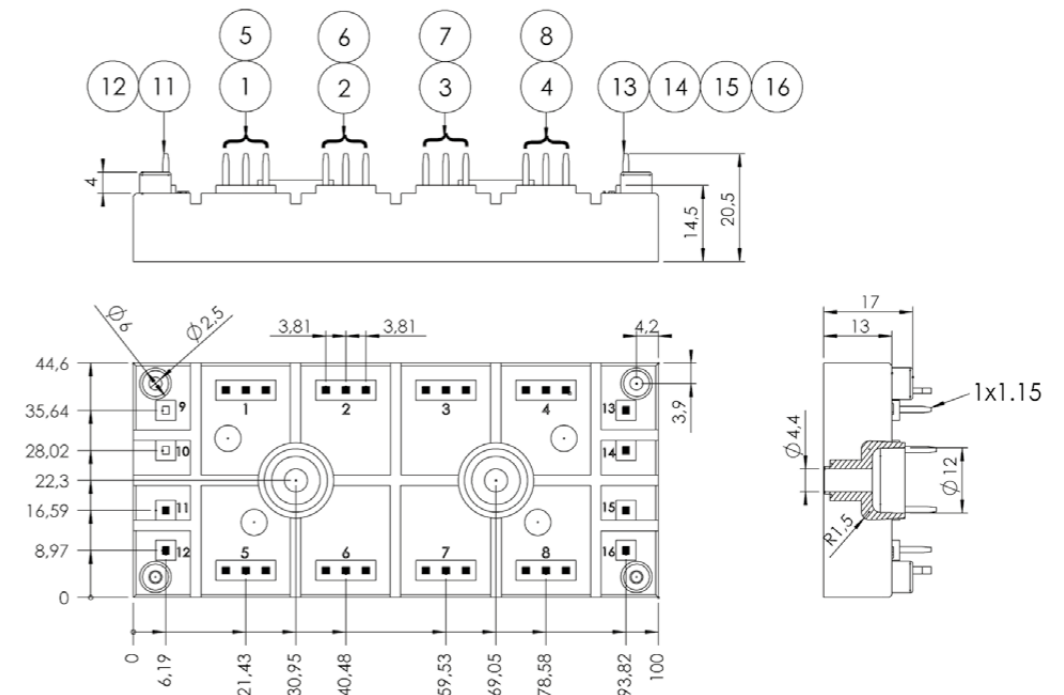
Bridge Rectifier Modules / SEMIPONT

Cases

SEMIPONT 5



SEMIPONT 6



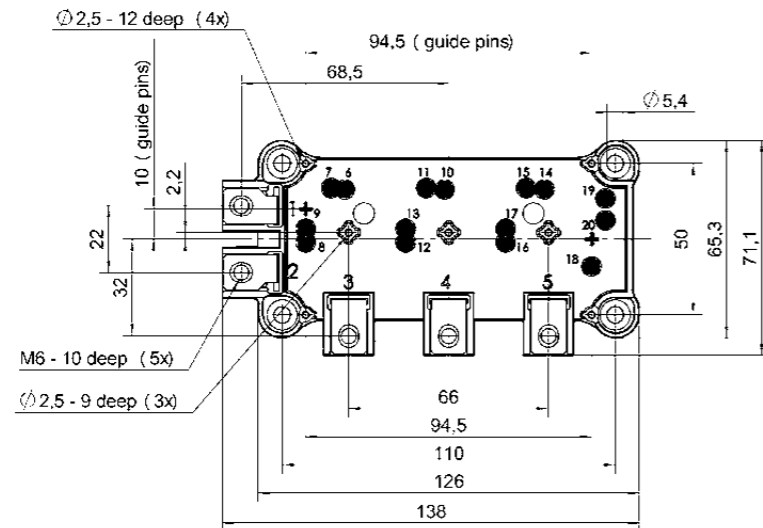
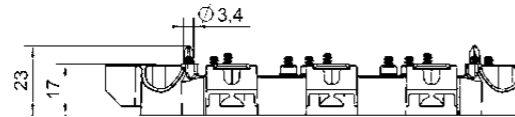
Dimensions in mm

Bridge Rectifier Modules / SEMiX

Type	$V_{FRM} V_{DRM}$ V	$I_b @ T_c$ A	T_c °C	$I_{FSM} I_{FSM} @ T_{jmax}$ A	$V_{T(RTO)} @ T_{jmax}$ V	$r_f @ T_{jmax}$ mΩ	$R_{th(j-c)}$ per chip K/W	$R_{th(c-a)}$ K/W	T_j °C	Case	Circuit
3 phase											
SEMiX251D12Fs	1200	256	85	1330	1.20	7	0.26	0.04	-40 ... +150	13	
SEMiX291D16s	1600	232	85	1380	0.83	4.6	0.45	0.04	-40 ... +150	13	
SEMiX341D16s	1600	348	85	2000	0.9	2.7	0.22	0.04	-40 ... +130	13	
SEMiX501D17Fs	1700	494	85	2140	1.10	2.7	0.165	0.04	-40 ... +150	13	
SEMiX241DH16s	1600	240	85	1900	0.85	4	0.32	0.04	-40 ... +130	13	

Cases

SEMiX 13



Dimensions in mm

Bridge Rectifier Modules / Power Bridge

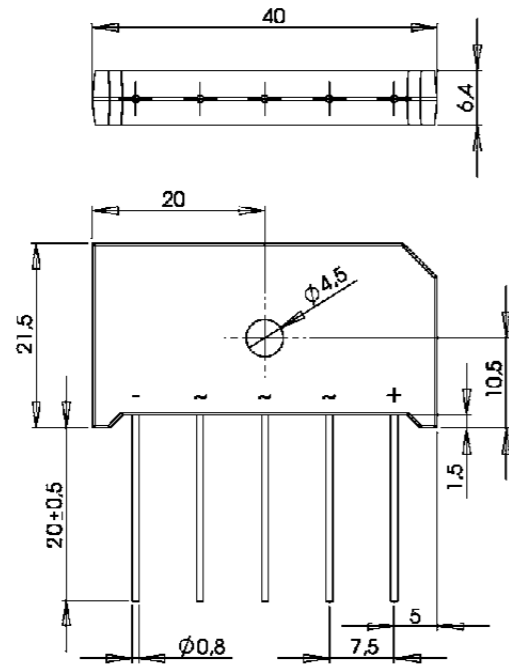
Type	$V_{FRM} V_{DRM}$ V	$I_b @ T_{CS}$ A	T_{CS} °C	$I_{FSM} @ T_{jmax}$ A	$V_{T(RTO)} @ T_{jmax}$ V	$r_f @ T_{jmax}$ mΩ	$R_{th(j-a)}$ cont. per chip K/W	T_j °C	Case	Circuit
1 phase										
SKB 25	100-1600	17	75	320	0.85	12.00	8.6	-40 ... +150	G 10b, G 11b	
SKB 26	200-1600	18	75	320	0.85	12.00	8.2	-40 ... +150	G 50a	
SKB 30	200-1600	30	94	320	0.85	12.00	3.2	-40 ... +150	G 12, G 13	
3 phase										
DBI 6 P ²⁾	200-2200	9	113	200	0.8	24.00	12.9	-40 ... +150	DBI P	
DBI 25 P ²⁾	200-2200	27	32	370	0.85	9.00	11.1	-40 ... +150	DBI P	
SKD 25	200-1600	20	73	320	0.85	12.00	11.4	-40 ... +150	G 10b, G 11b	
SKD 30	200-1600	30	98	320	0.85	12.00	4.8	-40 ... +150	G 12, G 13	
SKD 33	400-1800	33	110	240	0.8	18.00	2.5	-40 ... +150	G55	
SKD 51	400-1800	50	127	700	0.8	8.50	1.2	-40 ... +150	G51	
SKD 53	400-1800	53	100	270	0.8	13.00	1.9	-40 ... +150	G55	
SKD 83	400-1800	83	95	560	0.8	7.50	1.4	-40 ... +150	G55	

Footnotes: 2) In production new

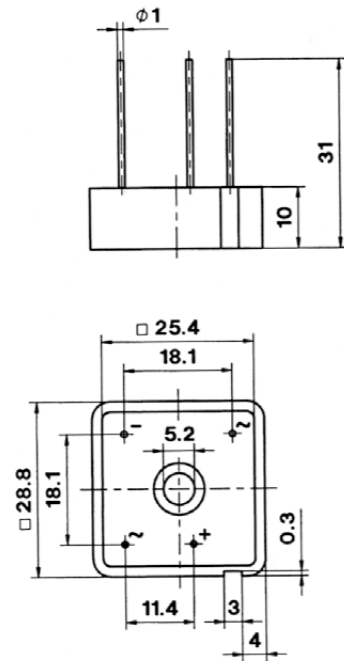
Bridge Rectifier Modules / Power Bridge

Cases

DBI P



G 50a

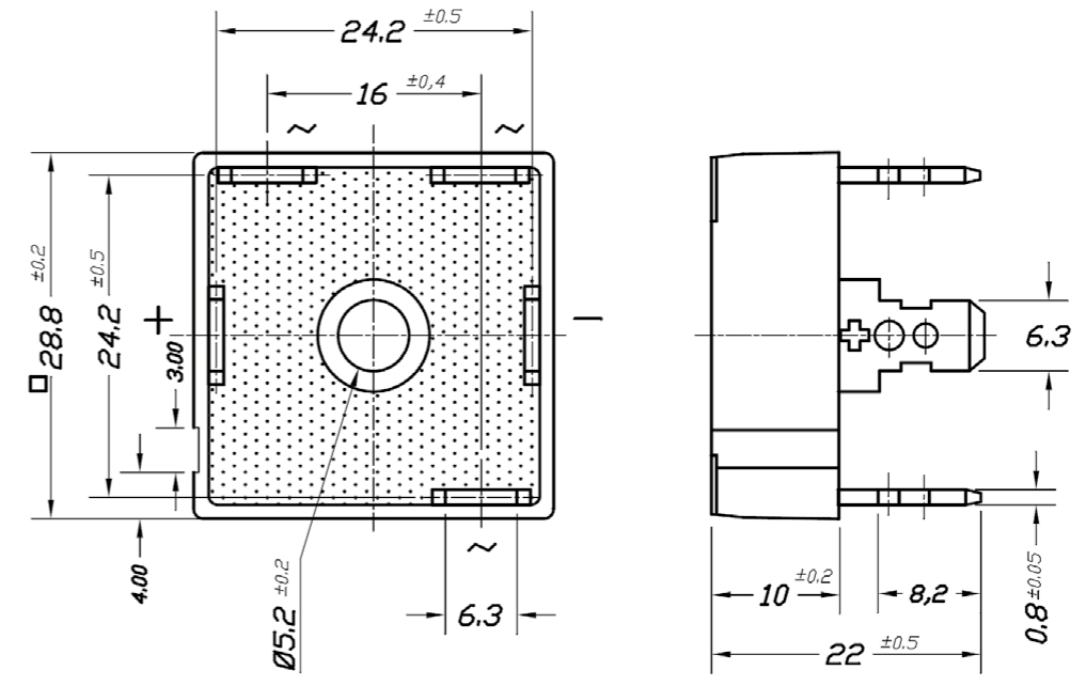


Dimensions in mm

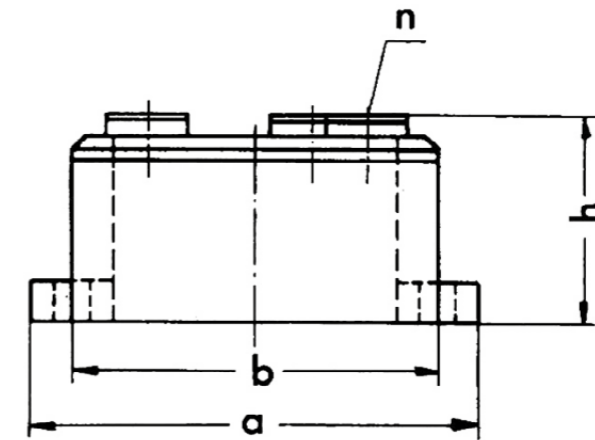
Bridge Rectifier Modules / Power Bridge

Cases

G 10b, G 11b



G 12, G 13



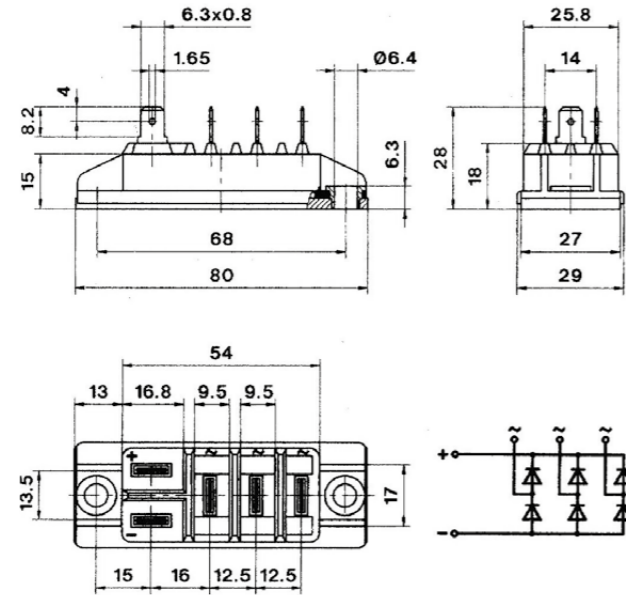
Cases	a	b	h	n
G 12, 13	55	45	24	M 4

Dimensions in mm

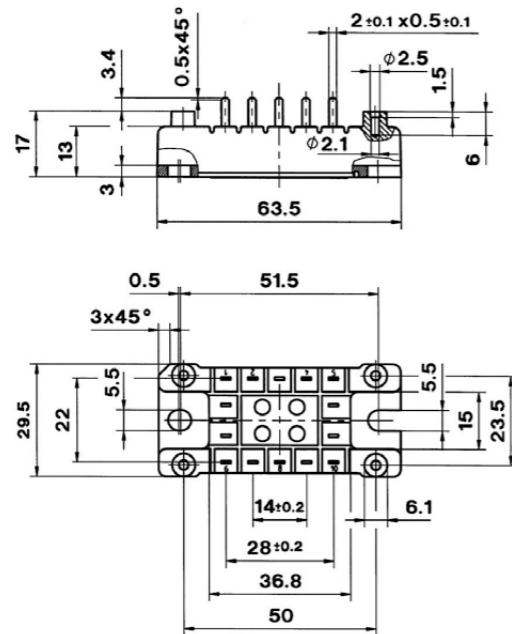
Bridge Rectifier Modules / Power Bridge

Cases

G 51



G 55



Dimensions in mm

IPM

SEMIKRON Offers Highly Integrated IPMs

The SKiiP IPMs represent the benchmark for regenerative inverter solutions up to 5MW.

Product	Page
SKiiP 3/4	134
SKiiP Accessories	143

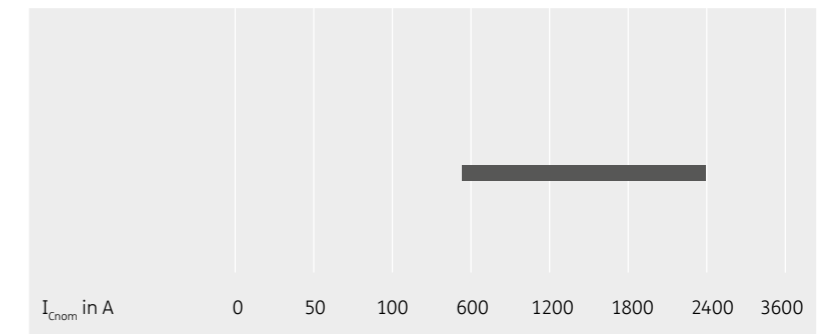
IPM

SKiiP[®]3

6-pack
half bridge



1200V up to 1700V

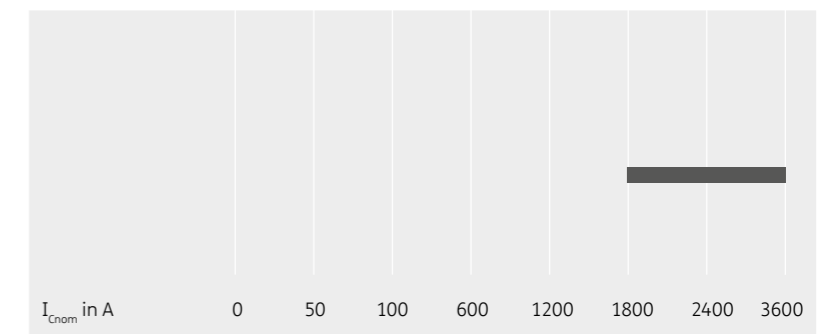


SKiiP[®]4

half bridge



1200V up to 1700V



For detailed information
please refer to data sheets.

Further information:
www.semikron.com/ipm

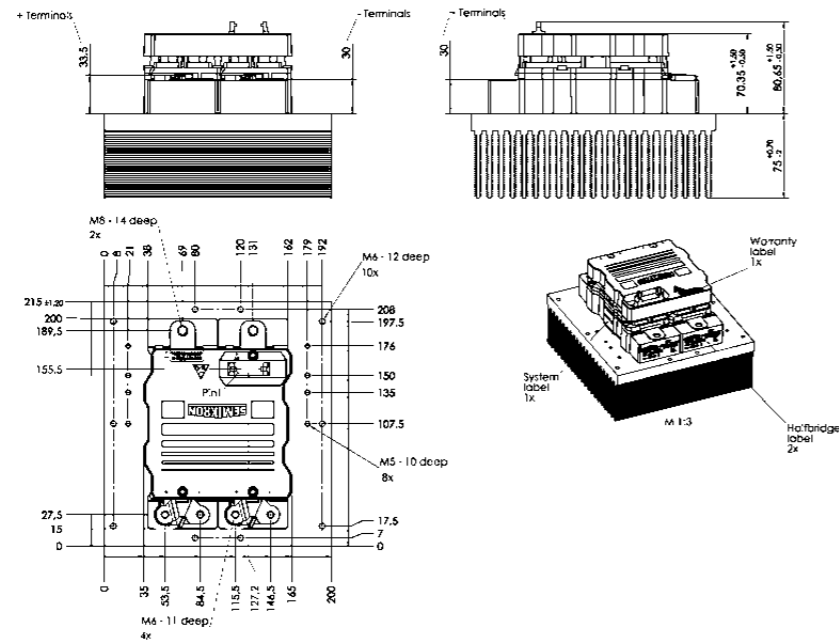
Type	IGBT		Diode		Module		Options F=F-Option U=U-Option S=SKiFace Adapter	Case	Circuit	
	$I_c @ T_s = 25^\circ\text{C}$ A	I_{nom} A	$V_{CE(EMT)} @ T_j = 25^\circ\text{C typ.}$ V	$E_{on} + E_{off}$ mJ	$I_f @ T_s = 25^\circ\text{C}$ A	$V_f @ T_j = 25^\circ\text{C typ.}$ V				E_{rr} mJ
1200V - IGBT 3 (Trench) - SKiiP3										
SKiiP 603 GD123-3DUL V3	627	600	1.7	195	508	1.50	28	-	S33	
SKiiP 603 GD123-3DUW V3	627	600	1.7	195	508	1.50	28	-	S33	
SKiiP 613 GD123-3DUL V3	577	600	1.7	195	466	1.50	28	-	S33	
SKiiP 613 GD123-3DUW V3	577	600	1.7	195	466	1.50	28	-	S33	
SKiiP 1213 GB123-2DL V3										
SKiiP 1213 GB123-2DL V3	1145	1200	1.7	390	925	1.50	56	F	S23	
SKiiP 1213 GB123-2DW V3	1145	1200	1.7	390	925	1.50	56	F	S23	
SKiiP 1813 GB123-3DL V3										
SKiiP 1813 GB123-3DL V3	1695	1800	1.7	585	1411	1.50	84	F,U	S33	
SKiiP 1813 GB123-3DW V3	1695	1800	1.7	585	1411	1.50	84	F,U	S33	
SKiiP 2413 GB123-4DL V3										
SKiiP 2413 GB123-4DL V3	2280	2400	1.7	780	1807	1.50	112	F,U	S43	
SKiiP 2413 GB123-4DW V3	2280	2400	1.7	780	1807	1.50	112	F,U	S43	
1200V - IGBT 4 (Trench) - SKiiP4										
SKiiP 1814 GB12E4-3DUL										
SKiiP 1814 GB12E4-3DUL	2345	1800	2.01	1260	1776	2.33	150	F,S	S34	
SKiiP 1814 GB12E4-3DUW	2345	1800	2.01	1260	1776	2.33	150	F,S	S34	
SKiiP 1814 GB12E4-3DUSL	2345	1800	2.01	1260	1776	2.33	150	F,S	S34	
SKiiP 2414 GB12E4-4DUL										
SKiiP 2414 GB12E4-4DUL	3109	2400	2.01	1680	2369	2.33	200	F,S	S44	
SKiiP 2414 GB12E4-4DUW	3109	2400	2.01	1680	2369	2.33	200	F,S	S44	
SKiiP 2414 GB12E4-4DUSL	3109	2400	2.01	1680	2369	2.33	200	F,S	S44	
SKiiP 3614 GB12E4-6DUL										
SKiiP 3614 GB12E4-6DUL	4664	3600	2.01	2520	3558	2.33	300	F,S	S64	
SKiiP 3614 GB12E4-6DUW	4664	3600	2.01	2520	3558	2.33	300	F,S	S64	
SKiiP 3614 GB12E4-6DULR	4664	3600	2.01	2520	3558	2.33	300	F,S	S64	
SKiiP 3614 GB12E4-6DUSL	4664	3600	2.01	2520	3558	2.33	300	F,S	S64	
1700V - IGBT 3 (Trench) - SKiiP3										
SKiiP 513 GD172-3DUL V3	540	500	1.9	288	438	2.00	43	-	S33	
SKiiP 513 GD172-3DUW V3	540	500	1.9	288	438	2.00	43	-	S33	
SKiiP 603 GD172-3DUL V3	587	570	1.9	288	476	2.00	43	-	S33	
SKiiP 603 GD172-3DUW V3	570	570	1.9	288	476	2.00	43	-	S33	

Footnotes: 2) In production new

Type	IGBT		Diode		Module		Options F=F-Option U=U-Option S=SKiFace Adapter	Case	Circuit	
	$I_c @ T_s = 25^\circ\text{C}$ A	I_{nom} A	$V_{CE(EMT)} @ T_j = 25^\circ\text{C typ.}$ V	$E_{on} + E_{off}$ mJ	$I_f @ T_s = 25^\circ\text{C}$ A	$V_f @ T_j = 25^\circ\text{C typ.}$ V				E_{rr} mJ
1700V - IGBT 3 (Trench) - SKiiP3										
SKiiP 1013 GB172-2DL V3	1072	1000	1.9	575	879	2.00	86	F	S23	
SKiiP 1013 GB172-2DW V3	1072	1000	1.9	575	879	2.00	86	F	S23	
SKiiP 1203 GB172-2DL V3	1159	1200	1.9	575	961	2.00	86	F	S23	
SKiiP 1203 GB172-2DW V3	1159	1200	1.9	575	961	2.00	86	F	S23	
SKiiP 1513 GB172-3DL V3										
SKiiP 1513 GB172-3DL V3	1589	1500	1.9	863	1336	2.00	128	F,U	S33	
SKiiP 1513 GB172-3DW V3	1589	1500	1.9	863	1336	2.00	128	F,U	S33	
SKiiP 1803 GB172-3DL V3	1744	1800	1.9	863	1454	2.00	128	F,U	S33	
SKiiP 2013 GB172-4DL V3										
SKiiP 2013 GB172-4DL V3	2102	2000	1.9	1150	1758	2.00	171	F,U	S43	
SKiiP 2013 GB172-4DW V3	2102	2000	1.9	1150	1758	2.00	171	F,U	S43	
SKiiP 2403 GB172-4DL V3	2282	2400	1.9	1150	1921	2.00	171	F,U	S43	
SKiiP 2403 GB172-4DW V3										
SKiiP 2403 GB172-4DW V3	2282	2400	1.9	1150	1921	2.00	171	F,U	S43	
1700V - IGBT 4 (Trench) - SKiiP4										
SKiiP 1814 GB17E4-3DUL										
SKiiP 1814 GB17E4-3DUL	2547	1800	2.12	2130	1771	2.02	498	F,S	S34	
SKiiP 1814 GB17E4-3DUW	2547	1800	2.12	2130	1771	2.02	498	F,S	S34	
SKiiP 2414 GB17E4-4DUL 2)										
SKiiP 2414 GB17E4-4DUL 2)	3385	2400	2.12	2840	2362	2.02	664	F,S	S44	
SKiiP 2414 GB17E4-4DUW 2)	3385	2400	2.12	2840	2362	2.02	664	F,S	S44	
SKiiP 3614 GB17E4-6DUL										
SKiiP 3614 GB17E4-6DUL	5078	3600	2.12	6840	3547	2.02	996	F,S	S64	
SKiiP 3614 GB17E4-6DUW	5078	3600	2.12	6840	3547	2.02	996	F,S	S64	
SKiiP 3614 GB17E4-6DULR 2)	5078	3600	2.12	6840	3547	2.02	996	F,S	S64	

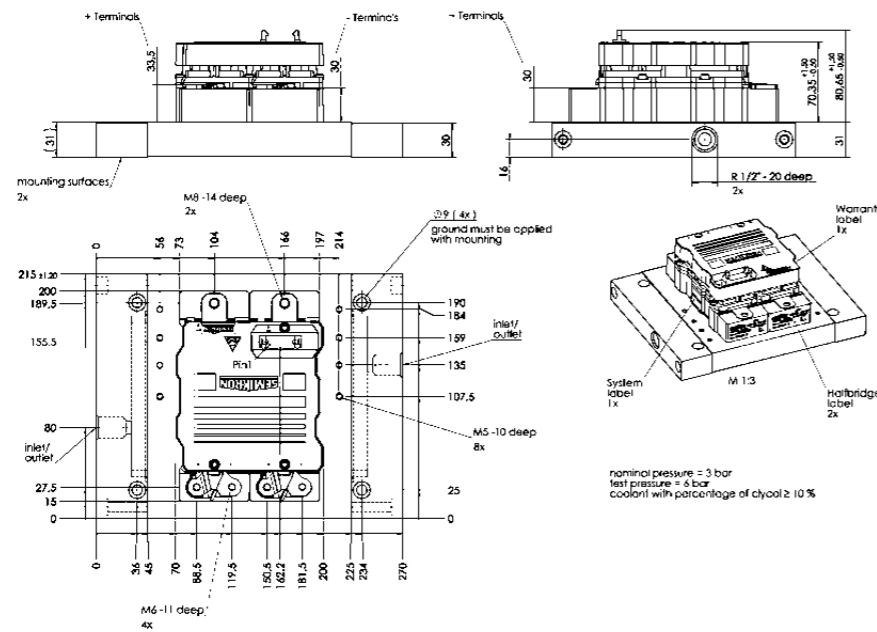
Footnotes: 2) In production new

Case S 23 mounted on P3016 heat sink



Weight without heat sink: 1,7 kg
 P3016: 4,4 kg

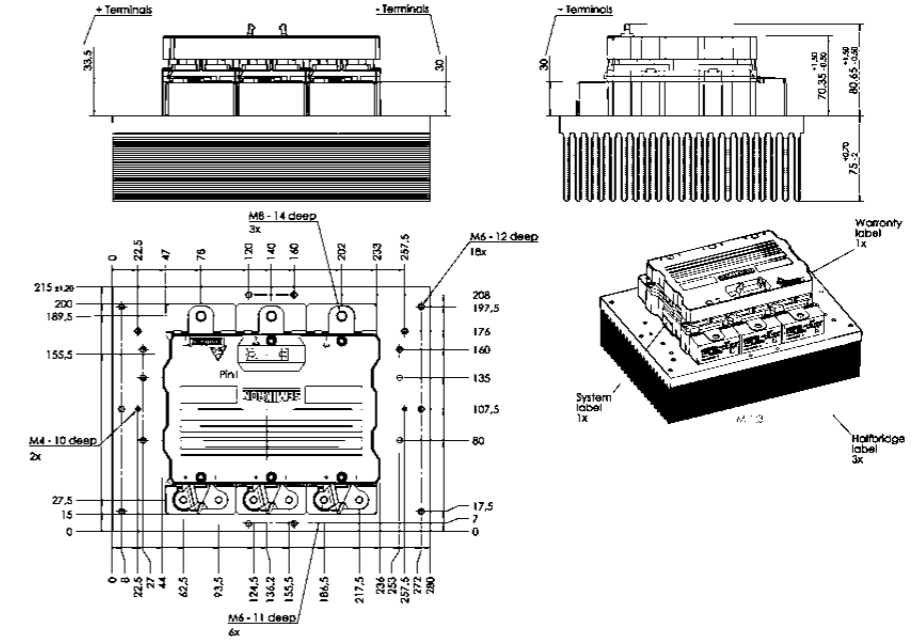
Case S 23 mounted on liquid cooled heat sink NWK 40



NWK 40: 2,8 kg

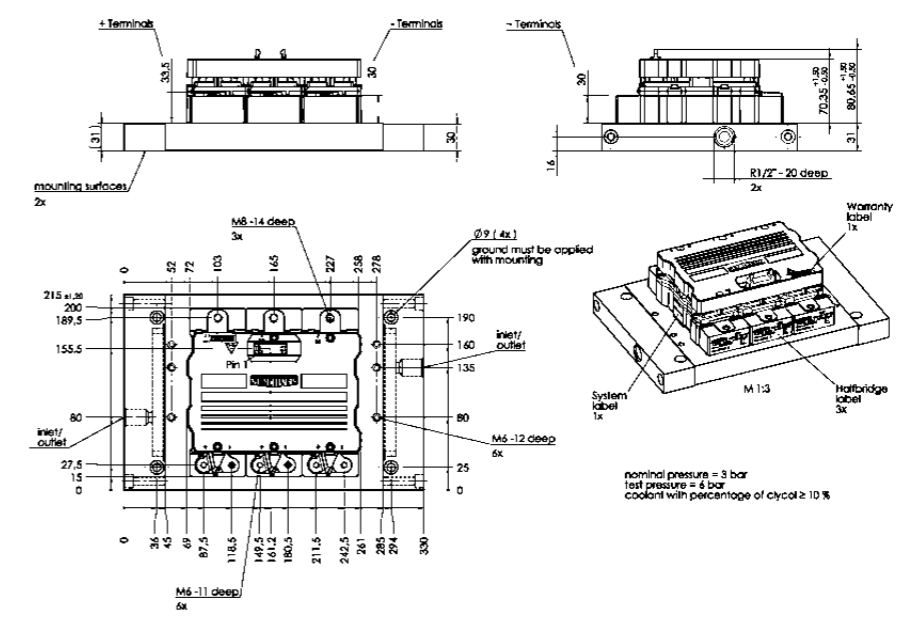
Dimensions in mm

Case S 33 mounted on P3016 heat sink



Weight without heat sink: 2,4 kg
 P3016: 6,2 kg

Case S 33 mounted on liquid cooled heat sink NWK 40

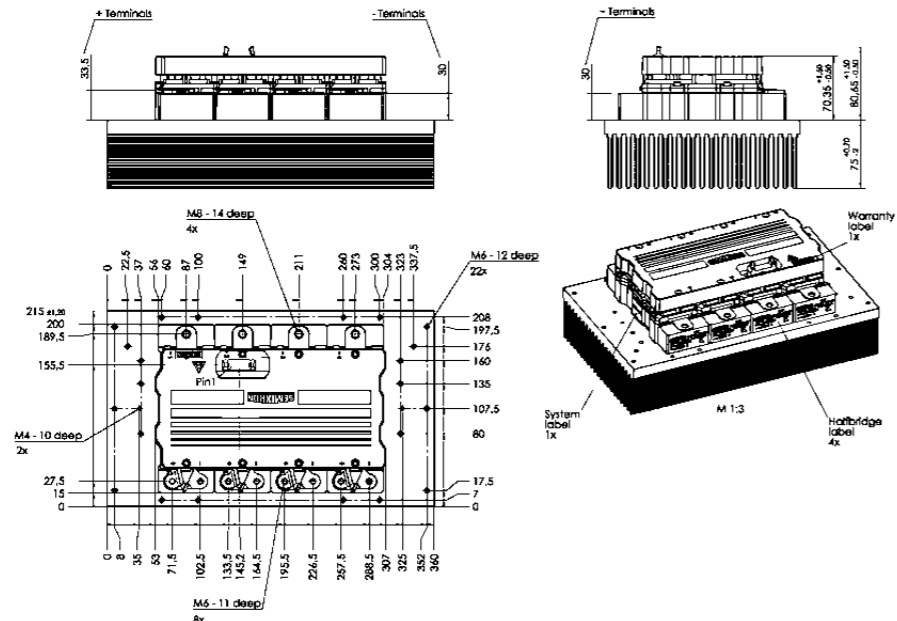


NWK 40: 5,2 kg

Dimensions in mm

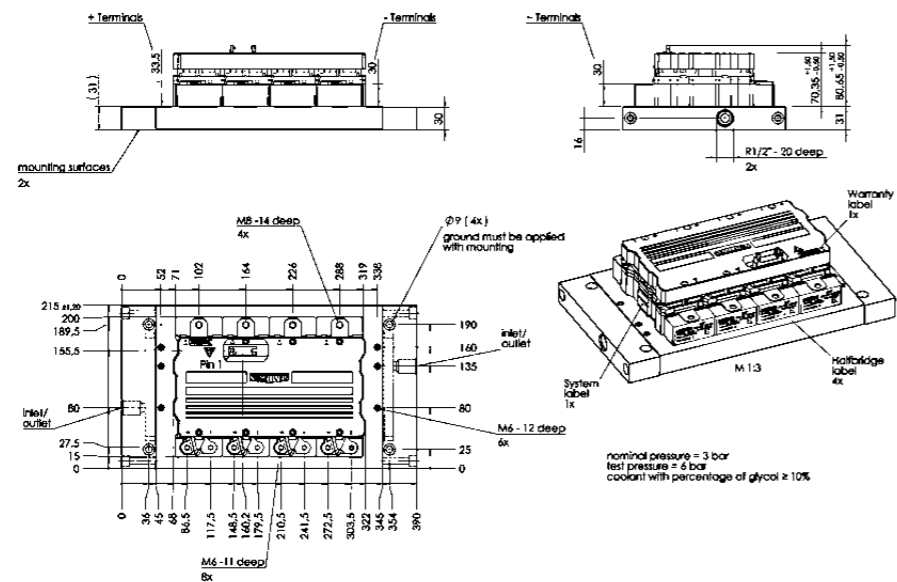
SKiiP 3

Case S 43 mounted on P3016 heat sink



Weight without heat sink: 3,1 kg
 P3016: 8,0 kg

Case S 43 mounted on liquid cooled heat sink NWK 40

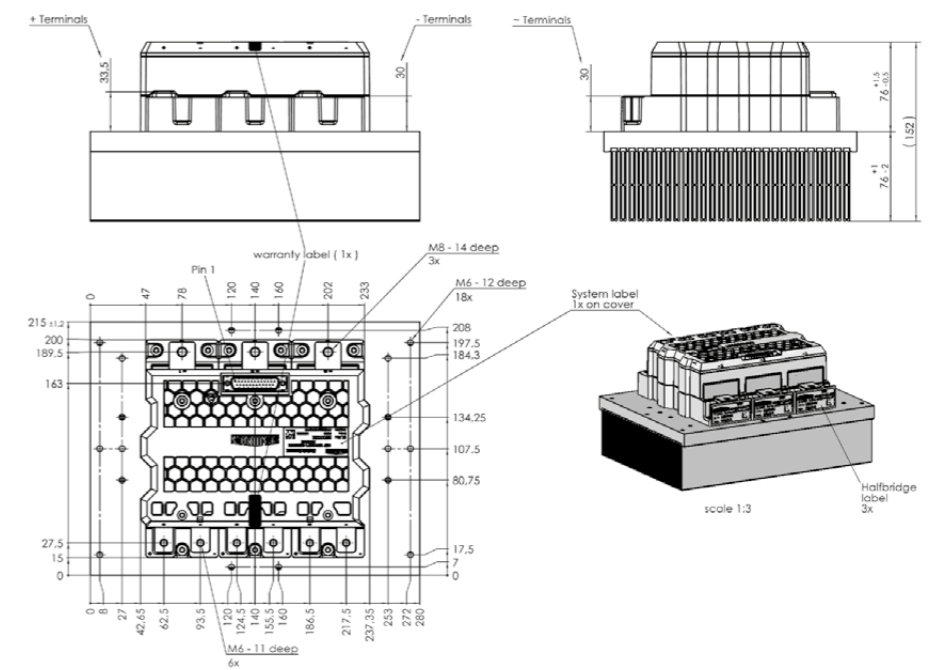


NWK 40: 6,2 kg

Dimensions in mm

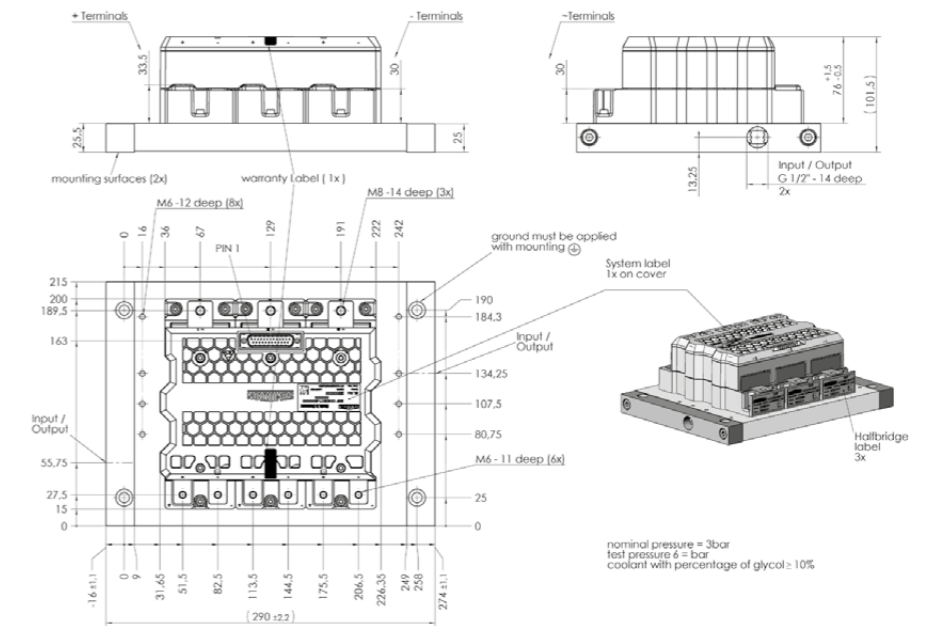
SKiiP 4

Case S 34 mounted on P4016 heat sink



Weight without heat sink: 2,48 kg
 P4016: 5,9 kg

Case S 34 mounted on liquid cooled heat sink NHC

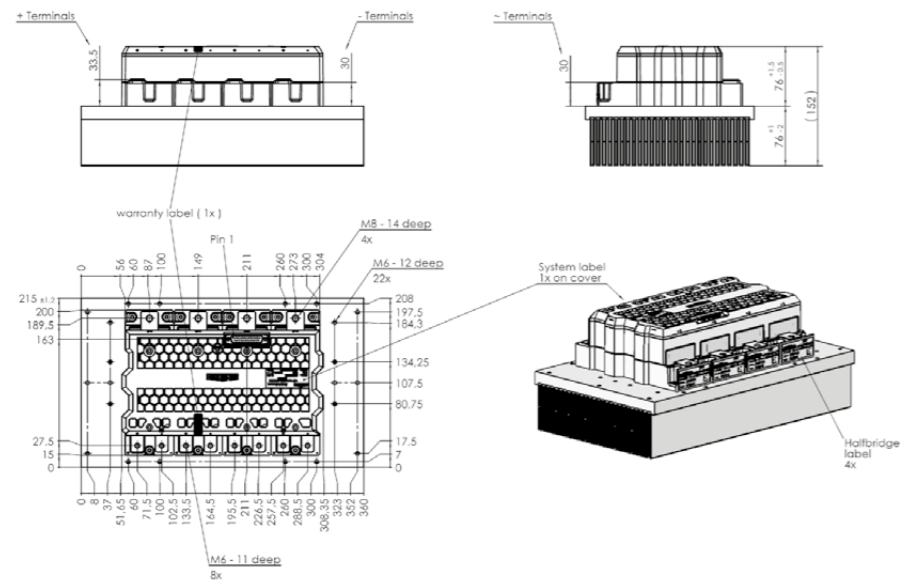


NHC: 3,49 kg

Dimensions in mm

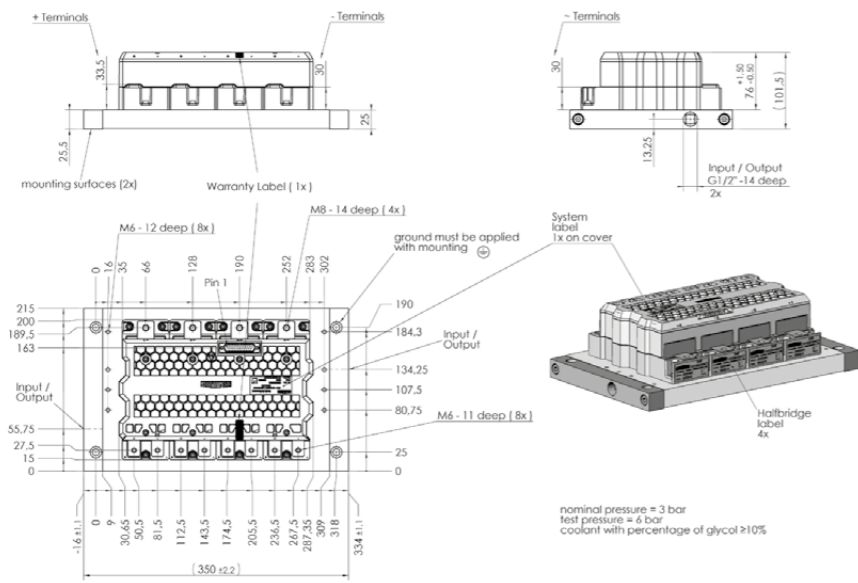
SKiiP 4

Case S 44 mounted on P4016 heat sink



Weight without heat sink: 3,22 kg
 P4016: 7,55 kg

Case S 44 mounted on liquid cooled heat sink NHC

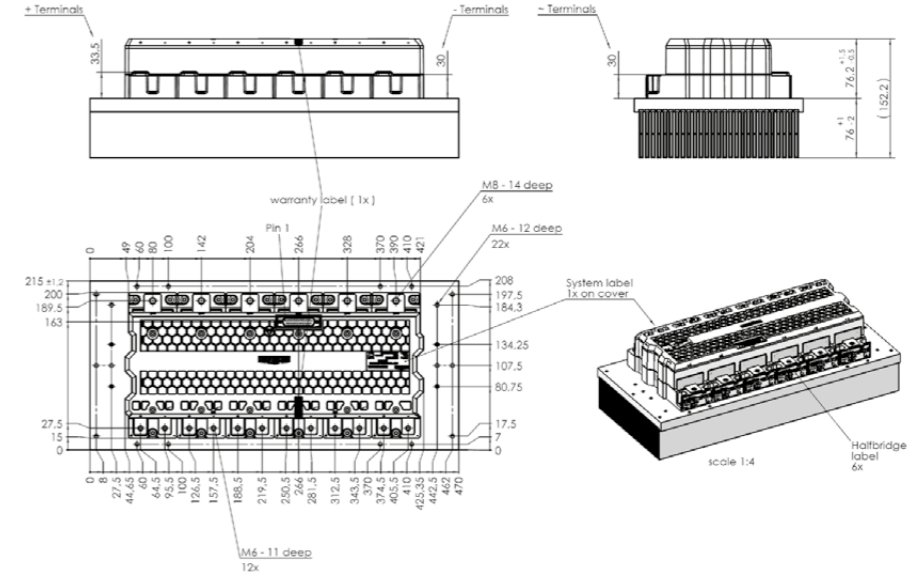


NHC: 4,25 kg

Dimensions in mm

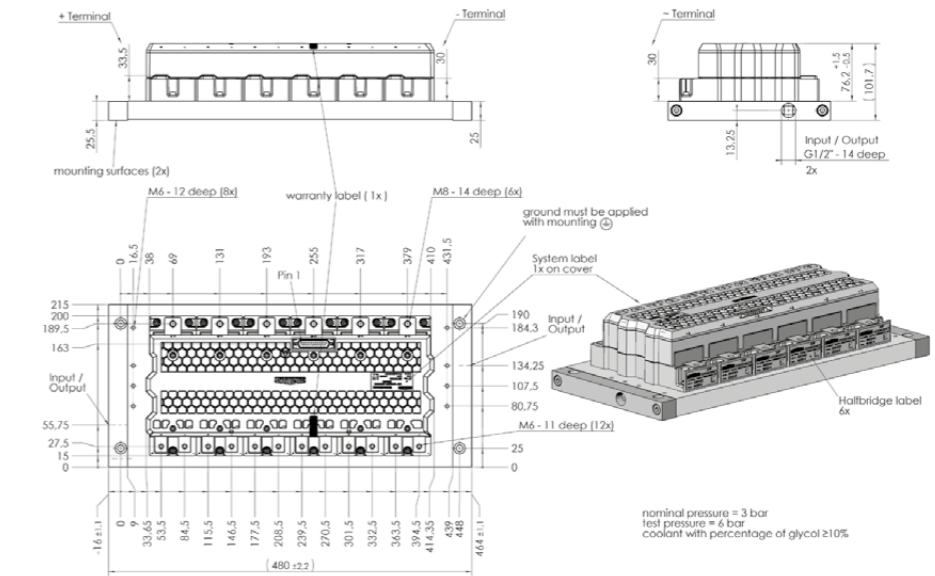
SKiiP 4

Case S 64 mounted on P4016 heat sink



Weight without heat sink: 4,84 kg
 P4016: 9,9 kg

Case S 64 mounted on liquid cooled heat sink NHC

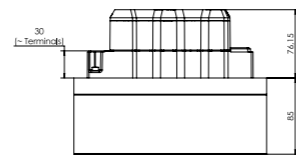
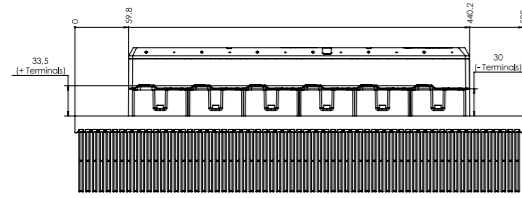


NHC: 5,77 kg

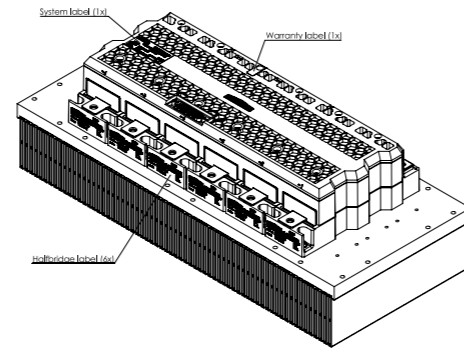
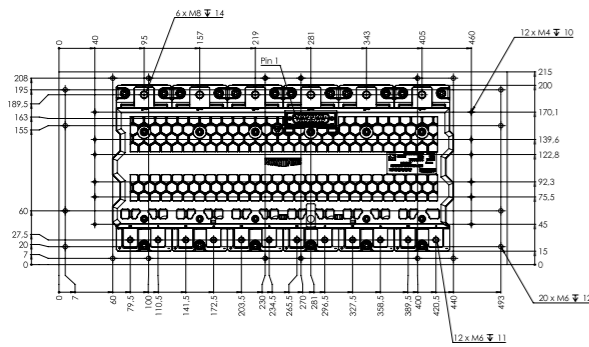
Dimensions in mm

SKiiP 4

Case S 64 mounted on P4016 heat sink with 90° rotated fins



All dimensions in mm!



Weight without heat sink: 4,84 kg
 P4016: 9,9 kg

Dimensions in mm

Type

F-Option SKiiP3

SKiiP3 F-Option	Fiber optic control board for SKiiP3
------------------------	--------------------------------------

F-Option SKiiP4

SKiiP4 F-Option	Fiber optic control board for SKiiP4
SKiiP4 F-Option with D-Sub connector	Fiber optic control board for SKiiP4

SKiiP3 Parallel Board

SKiiP3 Parallel Board 4-fold	Board for paralleling of 4 SKiiP3, F-Option usage possible
SKiiP3 Parallel Board 3-fold	Board for paralleling of 3 SKiiP3, F-Option usage possible
SKiiP3 Parallel Board 2-fold	Board for paralleling of 2 SKiiP3, F-Option usage possible

SKiiP4 Parallel Board

SKiiP4 Parallel Board 4-fold without F-Option	Board for paralleling of 4 SKiiP4, F-Option usage not possible
SKiiP4 Parallel Board 4-fold F-Option	Board for paralleling of 4 SKiiP4, F-Option usage possible
SKiiP4 Parallel Board 3-fold without F-Option	Board for paralleling of 3 SKiiP4, F-Option usage not possible
SKiiP4 Parallel Board 3-fold F-Option	Board for paralleling of 3 SKiiP4, F-Option usage possible
SKiiP4 Parallel Board 2-fold without F-Option	Board for paralleling of 2 SKiiP4, F-Option usage not possible
SKiiP4 Parallel Board 2-fold F-Option	Board for paralleling of 2 SKiiP4, F-Option usage possible

SKiFace Adapter Board

SKiiP4 SKiFace Adapter UZK	Adapter board to connect SKiiP4 to SKiiP3 controller with DC-Link voltage measurement function
SKiiP4 SKiFace Adapter Temp	Adapter board to connect SKiiP4 to SKiiP3 controller with temperatur measurement function

IGBT Driver

SEMIKRON IGBT Driver Family

SEMIKRON offers two different IGBT driver families for each application. Driver cores of the SKHI and SKYPER family can be optimized by using adapterboards to each module type. Driver like the SKYPER Prime offer a fully qualified Plug & Play solution saving time and costs in the application. The SKYPER family with 1W to 10W output power per channel, cover the whole range between 30kW and 2MW inverters. The high integration of SEMIKRON's new ASIC chipset provide for safe IGBT gate control over the whole lifecycle. Short circuits are managed very fast by separate error channels.

SoftOff and over voltage feedback avoid dangerous over voltages. The mixed signal ASICs guarantee lowest tolerances over the full temperature range. MLI or paralleled IGBT topologies are managed by the adjustable error handling. With an optimized interface and the adjustable filter setting the SKYPER family operates safely in noisy environments. The SEMIKRON's adapter boards allow to build up fast a broad range of inverter platforms based on various different types of IGBT modules.

Product	Page
SKYPER & SKHI	146

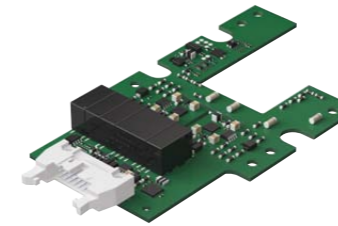
For detailed information please refer to data sheets.

Further information:
www.semikron.com/driver

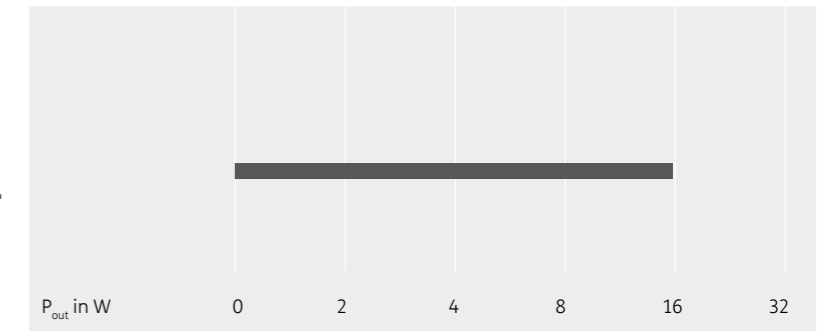
IGBT Driver

SKYPER®

Driver



600V up to 1700V

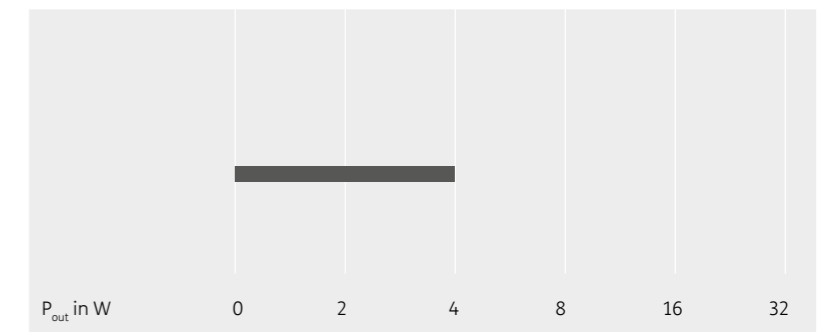


SKYPER® & SKHI

Driver Cores

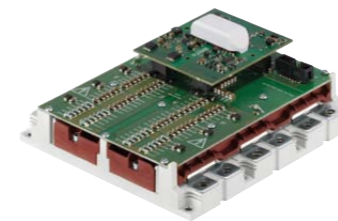


900V up to 1700V

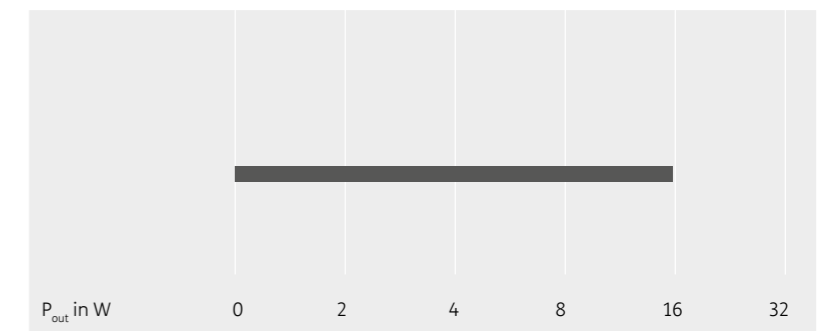


SKYPER® & SKHI

Adapterboards



1200V up to 1700V



IGBT Driver

Type	Channels	V _{CE} V	V _{G(on)} V	V _{G(off)} V	I _{outPEAK} A	Q _{out/pulse} μC	f _{max} kHz	VisolTO kV
Driver								
SKHI 10/12 R	1	1200	15	-8	8	9.6	100	2500
SKHI 10/17 R	1	1700	15	-8	8	9.6	100	4000
SKHI 23/12 R	2	1200	15	-8	8	4.8	100	2500
SKHI 23/17 R	2	1700	15	-8	8	4.8	100	4000
SKHIT 01 R ⁷⁾	3	528	-	-	-	-	10	2500
SKYPER 12 press-fit 300A	2	1200	14.6	-9	15	8	20	4000
SKYPER 12 press-fit 450A	2	1200	14.6	-9	15	8	13	4000
SKYPER 12 press-fit 600A	2	1200	14.6	-9	15	8	10	4000
SKYPER 12 press-fit C 300A	2	1200	14.6	-9	15	8	20	4000
SKYPER 12 press-fit C 450A	2	1200	14.6	-9	15	8	13	4000
SKYPER 12 press-fit C 600A	2	1200	14.6	-9	15	8	10	4000
SKYPER PRIME 1000A / 1700V ST10 / PP ²⁾	2	1700	15	-8	15	10	10	5000
SKYPER PRIME 1400A / 1700V ST10 ²⁾	2	1700	15	-8	15	10	10	5000
SKYPER PRIME 1400A / 1700V PP ²⁾	2	1700	15	-8	15	13.5	7.4	5000
Driver Core								
SKHI 21A R ⁸⁾	2	1200	15	0	8	4	50	2500
SKHI 22 A/B H4 R	2	1700	15	-7	8	4	50	4000
SKHI 22 A/B R	2	1200	15	-7	8	4	50	2500
SKHI 24 R	2	1700	15	-8	15	5	50	4000
SKYPER 32 R	2	1700	15	-7	15	2.5	50	4000
SKYPER 32 PRO R	2	1700	15	-7	15	6.3	50	4000
SKYPER 42 R	2	1700	15	-8	30	50	100	4000
SKYPER 42 No T _D	2	1700	15	-8	30	50	100	4000
SKYPER 42 R/O2 (Coated type) ²⁾	2	1700	15	-8	30	50	100	4000
SKYPER 42 LJ R	2	1700	14.8	-8	20	20	100	4000
SKHI 61 R	6	900	14.9	-6.5	2	1	50	2500
SKHI 71 R	7	900	14.9	-6.5	2	1	50	2500
Adapter Board								
Board 1 SKYPER 32 R	2	1700	15	-7	15	2.5	50	4000
Board 1 SKYPER 32PRO R	2	1700	15	-7	15	6.3	50	4000
Board 2 // 4S SKYPER 42 R	2	1200	15	-8	30	50	100	4000
Board 2 generic SKYPER 42 R	2	1700	15	-8	30	50	100	4000
Board 2//3S SKYPER 42 R	2	1700	15	-8	30	50	100	4000
Board 2S SKYPER 32 PRO R Gold	2	1700	15	-7	15	6.3	50	4000
Board 2S SKYPER 32 R Gold	2	1700	15	-7	15	2.5	50	4000
Board 3S SKYPER 32 PRO R Gold ²⁾	2	1700	15	-7	15	6.3	50	4000
Board 3S SKYPER 32 R Gold	2	1700	15	-7	15	2.5	50	4000
Board 4S SKYPER 32 PRO R Gold	2	1700	15	-7	15	6.3	50	4000
Board 4S SKYPER 32 R Gold	2	1700	15	-7	15	2.5	50	4000
Board 63 GB SKYPER 42 R	2	1700	15	-8	30	50	100	4000
Board 93 GB SKYPER 42 R ²⁾	2	1700	15	-8	30	50	100	4000

Footnotes: 2) In production new / 7) Thyristor Driver / 8) MOSFET Driver

Stacks

Fully Qualified Inverter Assemblies

Tailored to Your Specific Needs

In addition to standard semiconductor components, SEMIKRON has developed a full range of power converter assemblies. Stack center application engineers are available to offer specific power solutions by adapting present platforms or by designing fully customized converters.

Product	Page
Water cooled	
SEMISTACK RE	150
SKiiPRACK	152
Air cooled	
SEMIKUBE	153
SEMIKUBE SlimLine	154
SEMISTACK CLASSICS	155

For detailed information please refer to data sheets.

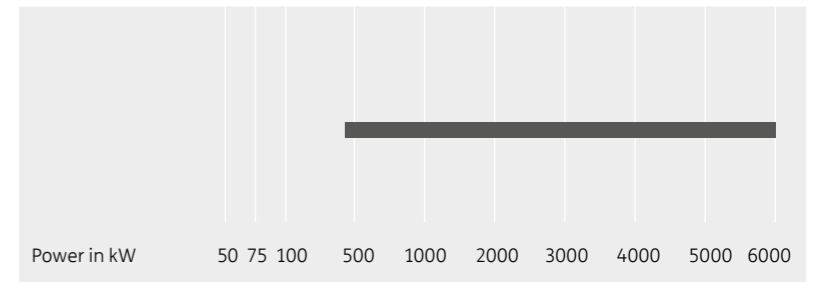
Further information:
www.semikron.com/stacks

Stacks

Water cooled

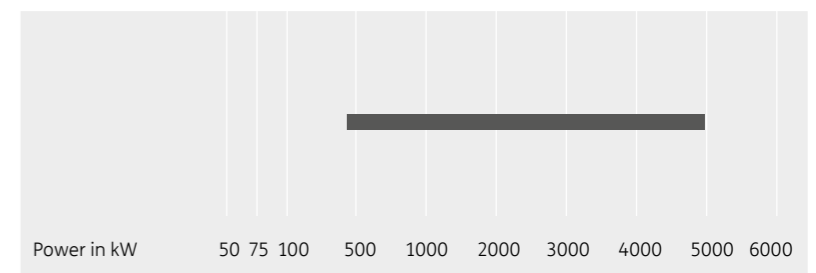
SEMISTACK®RE

Synchronous wind generators
 Double-fed wind generators
 Solar inverters



SKiiPRACK®

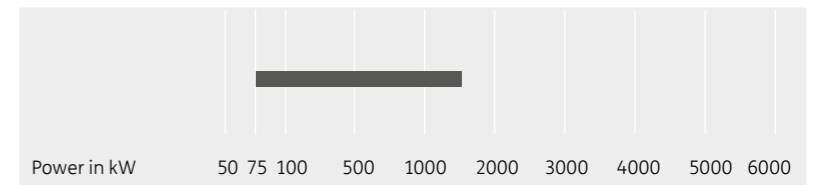
Synchronous wind generators
 Double-fed wind generators
 High power AC drives



Air cooled

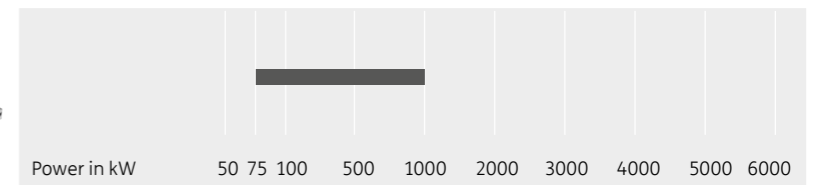
SEMIKUBE®

Solar inverters
 Pump and compressor drives



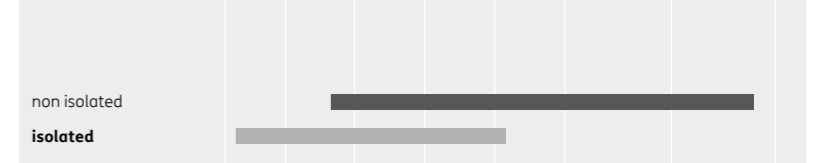
SEMIKUBE® SlimLine

Solar inverters
 AC drives and servos

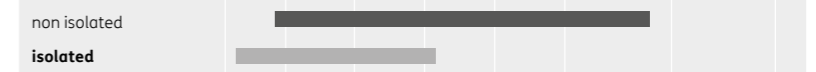


SEMISTACK® CLASSICS

B6U
 3-phase uncontrolled rectifier



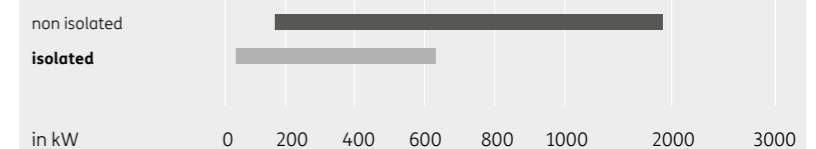
B6HK
 3-phase half controlled rectifier



B6C
 3-phase fully controlled rectifier



W3C
 3-phase reverse parallel thyristor converter



Stacks / SEMISTACK RE

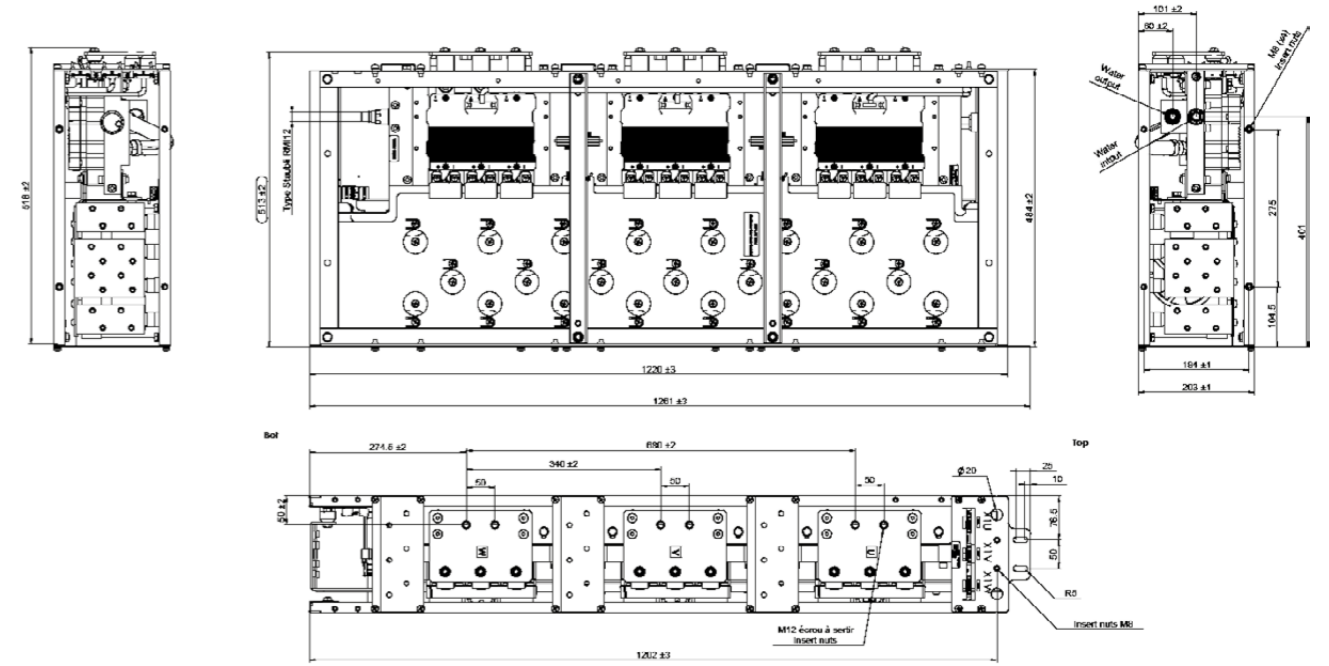
Type

	V_{AC} V	V_{DC} V	Current A	Component Family	Cooling	Heatsink profile	Isolated	Circuit
4-Quadrant converter								
SKS B2 120 GDD 69/11 - A11 MA PB	690	1100	1200	SKiiP 3	Water/Glycol	-	yes	
SKS B2 140 GDD 69/12 U - A11 MA PB	690	1250	1400	SKiiP 4	Water/Glycol	-	yes	
3-phase inverter								
SKS B1 090 GD 69/11 - MA PB	690	1100	900	SKiiP 3	Water/Glycol	-	yes	
SKS B2 100 GD 69/11 - MA PB	690	1100	1000	SKiiP 3	Water/Glycol	-	yes	
SKS B2 120 GD 69/11 - MA PB	690	1100	1200	SKiiP 3	Water/Glycol	-	yes	
SKS B2 140 GD 69/12 U - MA PB	690	1250	1400	SKiiP 4	Water/Glycol	-	yes	

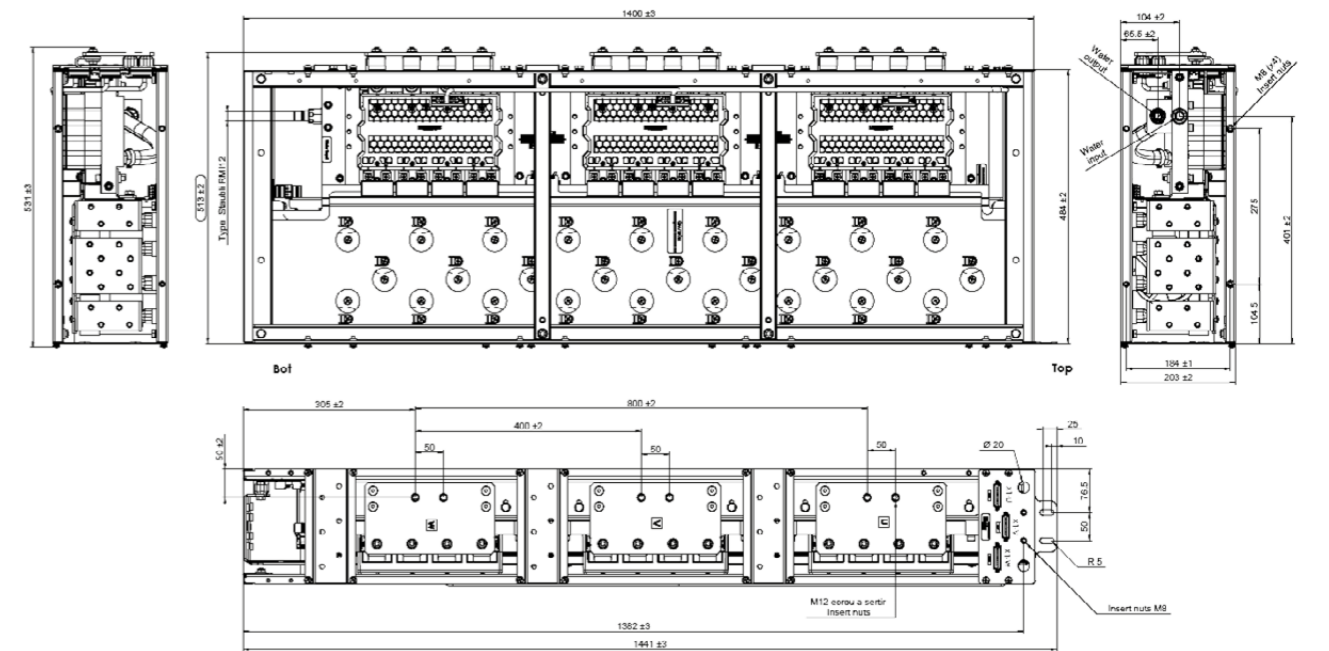
Stacks / SEMISTACK RE

Cases

SKS B1 090 GD 69/11 - MA PB



SKS B2 100 GD 69/11 - MA PB, SKS B2 120 GD 69/11 - MA PB, and SKS B2 140 GD 69/12 - MA PB



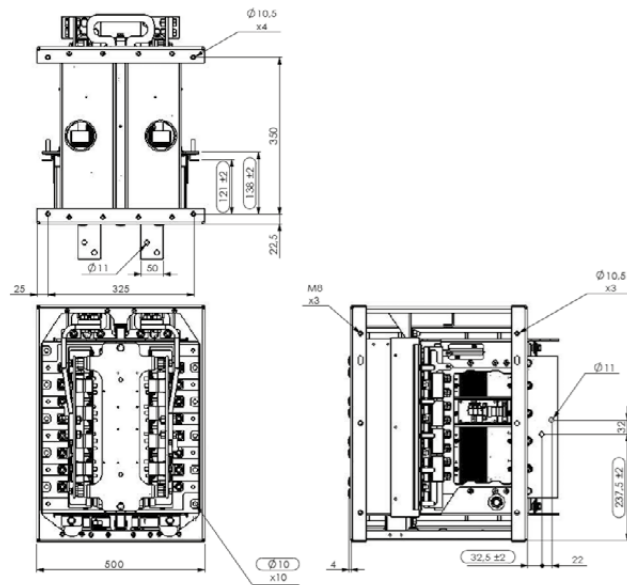
Dimensions in mm

Stacks / SKiiPRACK

Type	V _{AC} V	V _{DC} V	Current A	Component Family	Cooling	Heatsink profile	Isolated	Circuit
4-Quadrant converter								
SKS C 120 GDD 69/11 - A3A WA B1B	690	1100	1200	SKiiP 3	Water/Glycol	-	yes	
SKS C 240 GDD 69/11 - A6A MA B1C	690	1100	2400	SKiiP 3	Water/Glycol	-	yes	

Cases

SKiiPRACK basic stack element, the CELL



3-Cell vertical integration



Dimensions in mm

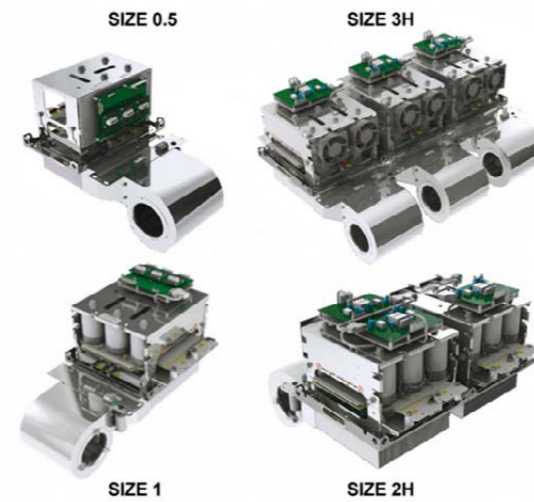
Stacks / SEMIKUBE

Type	V _{AC} V	V _{DC} V	Current A	Component Family	Cooling	Heatsink profile	Isolated	Circuit
3-phase inverter								
IGD-1-424-P1N4-DL-FA	460	750	200	SEMITRANS	Forced-air cooled	PX 308	yes	
IGD-2-424-P1N6-DH-FA	460	750	350	SEMITRANS	Forced-air cooled	PX 308	yes	
IGD-4-424-P1F7-BL-FA	460	750	750	SEMITRANS	Forced-air cooled	PX 308	yes	
IGD-8-326-E1F12-BH-FA	460	750	1230	SEMITRANS	Forced-air cooled	PX 308	yes	
IGD-8-426-E1F12-BH-FA	460	750	1470	SEMITRANS	Forced-air cooled	PX 308	yes	
IGD-8-424-P1F9-BH-FA	460	750	1470	SEMITRANS	Forced-air cooled	PX 308	yes	
IGD-8-474-P1F9-BI-FA ¹⁾	690	1250	1300	SEMITRANS	Forced-air cooled	PX 308	yes	
3-phase rectifier and inverter								
IGDD6-1-326-D1616-E1N6-DL-FA	460	750	150	SEMITRANS/SEMI-PACK	Forced-air cooled	PX 308	yes	
IGDD6-1-426-D1616-E1N6-DL-FA	460	750	180	SEMITRANS/SEMI-PACK	Forced-air cooled	PX 308	yes	
IGDD6-2-326-D1616-E1F12-DH-FA	460	750	280	SEMITRANS/SEMI-PACK	Forced-air cooled	PX 308	yes	
IGDD6-2-426-D1616-E1F12-DH-FA	460	750	330	SEMITRANS/SEMI-PACK	Forced-air cooled	PX 308	yes	
IGDD6-4-326-D3816-E1F12-BL-FA	460	750	570	SEMITRANS/SEMI-PACK	Forced-air cooled	PX 308	yes	
IGDD6-4-426-D3816-E1F12-BL-FA	460	750	680	SEMITRANS/SEMI-PACK	Forced-air cooled	PX 308	yes	

Footnotes: 1) Sample status

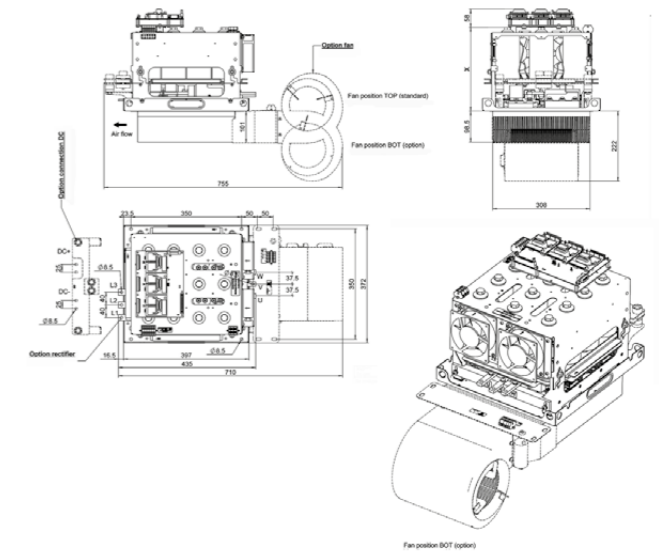
Cases

Frames



Dimensions in mm

Size 1



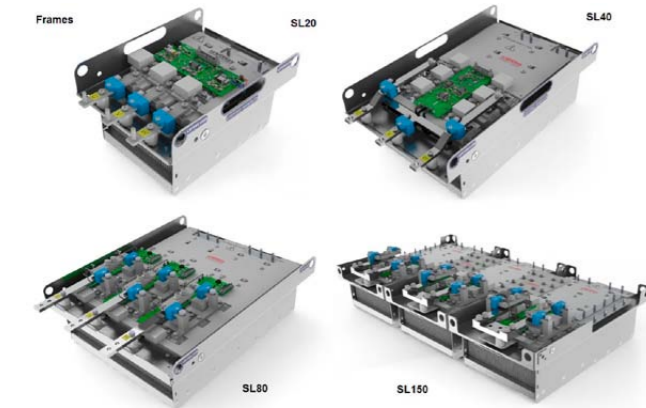
Stacks / SEMIKUBE SlimLine

Type	V _{Ac} V	V _{Dc} V	Current A	Component Family	Cooling	Frame	Isolated	Circuit
3-phase inverter								
SKS SL 20 GD 50/10 - E4 P1 G ²⁾	500	1000	230	SEMITRANS	Forced-air cooled	SL20	-	
SKS SL 40 GD 50/10 - E4 P1 G ²⁾	500	1000	440	SEMITRANS	Forced-air cooled	SL40	-	
SKS SL 80 GD 50/10 - E4 P1 G ²⁾	500	1000	750	SEMITRANS	Forced-air cooled	SL80	-	
SKS SL 150 GD 50/10 - E4 P1 G ²⁾	500	1000	1500	SEMITRANS	Forced-air cooled	SL150	-	
SKS SL 20 GD 50/10 - E4 P1 AF ²⁾	500	1000	230	SEMITRANS	Forced-air cooled	SL20	-	
SKS SL 40 GD 50/10 - E4 P1 AF ²⁾	500	1000	440	SEMITRANS	Forced-air cooled	SL40	-	
SKS SL 80 GD 50/10 - E4 P1 AF ²⁾	500	1000	750	SEMITRANS	Forced-air cooled	SL80	-	
SKS SL 150 GD 50/10 - E4 P1 AF ²⁾	500	1000	1500	SEMITRANS	Forced-air cooled	SL150	-	

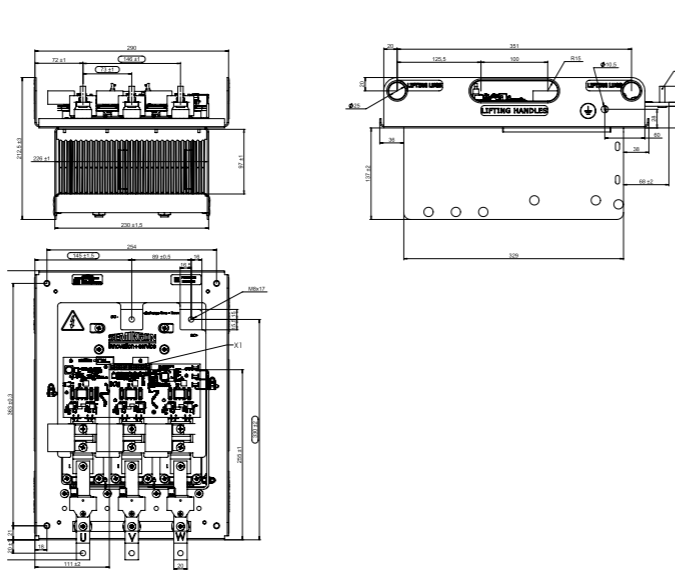
Footnotes: 2) In production new

Cases

Semikube SlimLine



SL 20



Dimensions in mm

Stacks / SEMISTACK CLASSICS

Type	V _{Ac} V	V _{Dc} V	DC Current A	Component Family	Cooling	Heatsink profile	Isolated	Circuit
3-phase fully-controlled thyristor bridge rectifier								
SKS 88N B6C 60 V16	500	670	88	SEMIPACK 1	Natural cooled	P3/180	yes	
SKS 88N B6C 60 V16 SU	500	670	88	SEMIPACK 1	Natural cooled	P3/180	yes	
SKS 180F B6C 120 V16	500	670	180	SEMIPACK 1	Forced-air cooled	P3/180	yes	
SKS 180F B6C 120 V16 SU	500	670	180	SEMIPACK 1	Forced-air cooled	P3/180	yes	
SKS 215N B6C 145 V16	500	670	215	Stud devices	Natural cooled	P1/150	no	
SKS 215N B6C 145 V16 SU	500	670	215	Stud devices	Natural cooled	P1/150	no	
SKS 250F B6C 170 V16	500	670	250	SEMIPACK 2	Forced-air cooled	P3/265	yes	
SKS 250F B6C 170 V16 SU	500	670	250	SEMIPACK 2	Forced-air cooled	P3/265	yes	
SKS 355N B6C 240 V16	500	670	355	Stud devices	Natural cooled	P1/200	no	
SKS 355N B6C 240 V16 SU	500	670	355	Stud devices	Natural cooled	P1/200	no	
SKS 365F B6C 245 V16	500	670	365	SEMIPACK 2	Forced-air cooled	P16/200	yes	
SKS 365F B6C 245 V16 SU	500	670	365	SEMIPACK 2	Forced-air cooled	P16/200	yes	
SKS 570F B6C 380 V16	500	670	570	SEMIPACK 3	Forced-air cooled	P16/200	yes	
SKS 570F B6C 380 V16 SU	500	670	570	SEMIPACK 3	Forced-air cooled	P16/200	yes	
SKS 640F B6C 430 V16	500	670	640	SEMIPACK 3	Forced-air cooled	P16/200	yes	
SKS 640F B6C 430 V16 SU	500	670	640	SEMIPACK 3	Forced-air cooled	P16/200	yes	
SKS 700N B6C 470 V16	500	670	700	Capsules	Natural cooled	P11/415	no	
SKS 700N B6C 470 V16 SU	500	670	700	Capsules	Natural cooled	P11/415	no	
SKS 845N B6C 570 V16	500	670	845	Capsules	Natural cooled	U3/515	no	
SKS 845N B6C 570 V16 SU	500	670	845	Capsules	Natural cooled	U3/515	no	
SKS 970F B6C 650 V16	500	670	970	SEMIPACK 5	Forced-air cooled	P16/300	yes	
SKS 970F B6C 650 V16 SU	500	670	970	SEMIPACK 5	Forced-air cooled	P16/300	yes	
SKS 1000N B6C 670 V16	500	670	1000	Capsules	Natural cooled	U3/515	no	
SKS 1000N B6C 670 V16 SU	500	670	1000	Capsules	Natural cooled	U3/515	no	
SKS 1200F B6C 800 V16	500	670	1200	Capsules	Forced-air cooled	P17/130	no	
SKS 1200F B6C 800 V16 SU	500	670	1200	Capsules	Forced-air cooled	P17/130	no	
SKS 1500F B6C 1010 V16	500	670	1500	Capsules	Forced-air cooled	P17/130	no	
SKS 1500F B6C 1010 V16 SU	500	670	1500	Capsules	Forced-air cooled	P17/130	no	
SKS 1890F B6C 1270 V16	500	670	1890	Capsules	Forced-air cooled	P18/180	no	
SKS 1890F B6C 1270 V16 ZU	500	670	1890	Capsules	Forced-air cooled	P18/180	no	
SKS 2580F B6C 1730 V16	500	670	2580	Capsules	Forced-air cooled	N4/250	no	
SKS 2580F B6C 1730 V16 ZU	500	670	2580	Capsules	Forced-air cooled	N4/250	no	
SKSE 2580F B6C 1730 V16 ²⁾	500	670	2580	Capsules	Forced-air cooled	Z5/120	no	
SKSE 2580F B6C 1730 V16 ZU ²⁾	500	670	2580	Capsules	Forced-air cooled	Z5/120	no	
SKSE 1890F B6C 1270 V16 ZU ²⁾	500	670	1890	Capsules	Forced-air cooled	Z5/90	no	
SKSE 1890F B6C 1270 V16 ²⁾	500	670	1890	Capsules	Forced-air cooled	Z5/90	no	
SKSE 1500F B6C 1010 V16 SU ²⁾	500	670	1500	Capsules	Forced-air cooled	Z5/60	no	
SKSE 1500F B6C 1010 V16 ²⁾	500	670	1500	Capsules	Forced-air cooled	Z5/60	no	
SKSE 1200F B6C 800 V16 SU ²⁾	500	670	1200	Capsules	Forced-air cooled	Z5/60	no	
SKSE 1200F B6C 800 V16 ²⁾	500	670	1200	Capsules	Forced-air cooled	Z5/60	no	
3-phase half-controlled bridge rectifier								
SKS 88N B6HK 60 V16	500	670	88	SEMIPACK 1	Natural cooled	P3/180	yes	
SKS 88N B6HK 60 V16 SU	500	670	88	SEMIPACK 1	Natural cooled	P3/180	yes	
SKS 180F B6HK 120 V16	500	670	180	SEMIPACK 1	Forced-air cooled	P3/180	yes	
SKS 180F B6HK 120 V16 SU	500	670	180	SEMIPACK 1	Forced-air cooled	P3/180	yes	
SKS 215N B6HK 145 V16	500	670	215	Stud devices	Natural cooled	P1/150	no	
SKS 215N B6HK 145 V16 SU	500	670	215	Stud devices	Natural cooled	P1/150	no	
SKS 250F B6HK 170 V16	500	670	250	SEMIPACK 2	Forced-air cooled	P3/265	yes	
SKS 250F B6HK 170 V16 SU	500	670	250	SEMIPACK 2	Forced-air cooled	P3/265	yes	
SKS 355N B6HK 240 V16	500	670	355	Stud devices	Natural cooled	P1/200	no	
SKS 355N B6HK 240 V16 SU	500	670	355	Stud devices	Natural cooled	P1/200	no	
SKS 365F B6HK 245 V16	500	670	365	SEMIPACK 2	Forced-air cooled	P16/200	yes	
SKS 365F B6HK 245 V16 SU	500	670	365	SEMIPACK 2	Forced-air cooled	P16/200	yes	
SKS 570F B6HK 380 V16	500	670	570	SEMIPACK 3	Forced-air cooled	P16/200	yes	
SKS 570F B6HK 380 V16 SU	500	670	570	SEMIPACK 3	Forced-air cooled	P16/200	yes	

Footnotes: 2) In production new

Stacks / SEMISTACK CLASSICS

Type	V _{Ac} V	V _{Dc} V	DC Current A	Component Family	Cooling	Heatsink profile	Isolated	Circuit	
3-phase half-controlled bridge rectifier									
SKS 640F B6HK 430 V16	500	670	640	SEMIPACK 3	Forced-air cooled	P16/200	yes		
SKS 640F B6HK 430 V16 SU	500	670	640	SEMIPACK 3	Forced-air cooled	P16/200	yes		
SKS 700N B6HK 470 V16	500	670	700	Capsules	Natural cooled	P11/415	no		
SKS 700N B6HK 470 V16 SU	500	670	700	Capsules	Natural cooled	P11/415	no		
SKS 845N B6HK 570 V16	500	670	845	Capsules	Natural cooled	U3/515	no		
SKS 845N B6HK 570 V16 SU	500	670	845	Capsules	Natural cooled	U3/515	no		
SKS 970F B6HK 650 V16	500	670	970	SEMIPACK 5	Forced-air cooled	P16/300	yes		
SKS 970F B6HK 650 V16 SU	500	670	970	SEMIPACK 5	Forced-air cooled	P16/300	yes		
SKS 1000N B6HK 670 V16	500	670	1000	Capsules	Natural cooled	U3/515	no		
SKS 1000N B6HK 670 V16 SU	500	670	1000	Capsules	Natural cooled	U3/515	no		
SKS 1200F B6HK 800 V16	500	670	1200	Capsules	Forced-air cooled	P17/130	no		
SKS 1200F B6HK 800 V16 SU	500	670	1200	Capsules	Forced-air cooled	P17/130	no		
SKS 1500F B6HK 1010 V16	500	670	1500	Capsules	Forced-air cooled	P17/130	no		
SKS 1500F B6HK 1010 V16 SU	500	670	1500	Capsules	Forced-air cooled	P17/130	no		
SKS 1890F B6HK 1270 V16	500	670	1890	Capsules	Forced-air cooled	P18/180	no		
SKS 1890F B6HK 1270 V16 ZU	500	670	1890	Capsules	Forced-air cooled	P18/180	no		
SKS 2580F B6HK 1730 V16	500	670	2580	Capsules	Forced-air cooled	N4/250	no		
SKS 2580F B6HK 1730 V16 ZU	500	670	2580	Capsules	Forced-air cooled	N4/250	no		
3-phase uncontrolled bridge rectifier									
SKS 91N B6U 60 V16	500	670	91	SEMIPACK 1	Natural cooled	P3/180	yes		
SKS 91N B6U 60 V16 SU	500	670	91	SEMIPACK 1	Natural cooled	P3/180	yes		
SKS 185F B6U 125 V16	500	670	185	SEMIPACK 1	Forced-air cooled	P3/180	yes		
SKS 185F B6U 125 V16 SU	500	670	185	SEMIPACK 1	Forced-air cooled	P3/180	yes		
SKS 290F B6U 195 V16	500	670	290	SEMIPACK 2	Forced-air cooled	P3/265	yes		
SKS 290F B6U 195 V16 SU	500	670	290	SEMIPACK 2	Forced-air cooled	P3/265	yes		
SKS 425N B6U 285 V16	500	670	425	Stud devices	Natural cooled	P1/150	no		
SKS 425N B6U 285 V16 SU	500	670	425	Stud devices	Natural cooled	P1/150	no		
SKS 430F B6U 290 V16	500	670	430	SEMIPACK 2	Forced-air cooled	P16/200	yes		
SKS 430F B6U 290 V16 SU	500	670	430	SEMIPACK 2	Forced-air cooled	P16/200	yes		
SKS 535N B6U 360 V16	500	670	535	Stud devices	Natural cooled	P1/200	no		
SKS 535N B6U 360 V16 SU	500	670	535	Stud devices	Natural cooled	P1/200	no		
SKS 660F B6U 440 V16	500	670	660	SEMIPACK 3	Forced-air cooled	P16/200	yes		
SKS 660F B6U 440 V16 SU	500	670	660	SEMIPACK 3	Forced-air cooled	P16/200	yes		
SKS 850F B6U 570 V16	500	670	850	SEMIPACK 3	Forced-air cooled	P16/200	yes		
SKS 850F B6U 570 V16 SU	500	670	850	SEMIPACK 3	Forced-air cooled	P16/200	yes		
SKS 1185N B6U 795 V16	500	670	1185	Capsules	Natural cooled	P11/415	no		
SKS 1185N B6U 795 V16 SU	500	670	1185	Capsules	Natural cooled	P11/415	no		
SKS 1220F B6U 820 V16	500	670	1220	SEMIPACK 5	Forced-air cooled	P16/300	yes		
SKS 1220F B6U 820 V16 SU	500	670	1220	SEMIPACK 5	Forced-air cooled	P16/300	yes		
SKS 1630N B6U 1090 V16	500	670	1630	Capsules	Natural cooled	U3/515	no		
SKS 1630N B6U 1090 V16 ZU	500	670	1630	Capsules	Natural cooled	U3/515	no		
SKS 1910N B6U 1280 V16	500	670	1910	Capsules	Natural cooled	U3/515	no		
SKS 1910N B6U 1280 V16 ZU	500	670	1910	Capsules	Natural cooled	U3/515	no		
SKS 1950F B6U 1305 V16	500	670	1950	Capsules	Forced-air cooled	P17/130	no		
SKS 1950F B6U 1305 V16 ZU	500	670	1950	Capsules	Forced-air cooled	P17/130	no		
SKS 2300F B6U 1540 V16	500	670	2300	Capsules	Forced-air cooled	P18/180	no		
SKS 2300F B6U 1540 V16 ZU	500	670	2300	Capsules	Forced-air cooled	P18/180	no		
SKS 4015F B6U 2690 V16	500	670	4015	Capsules	Forced-air cooled	N4/250	no		
SKSE 2300F B6U 1540 V16 ZU ²⁾	500	670	2300	Capsules	Forced-air cooled	Z5/120	no		
SKSE 2300F B6U 1540 V16 ²⁾	500	670	2300	Capsules	Forced-air cooled	Z5/120	no		
SKSE 1950F B6U 1305 V16 ZU ²⁾	500	670	1950	Capsules	Forced-air cooled	Z5/90	no		
SKSE 1950F B6U 1305 V16 ²⁾	500	670	1950	Capsules	Forced-air cooled	Z5/90	no		

Footnotes: 2) In production new

Stacks / SEMISTACK CLASSICS

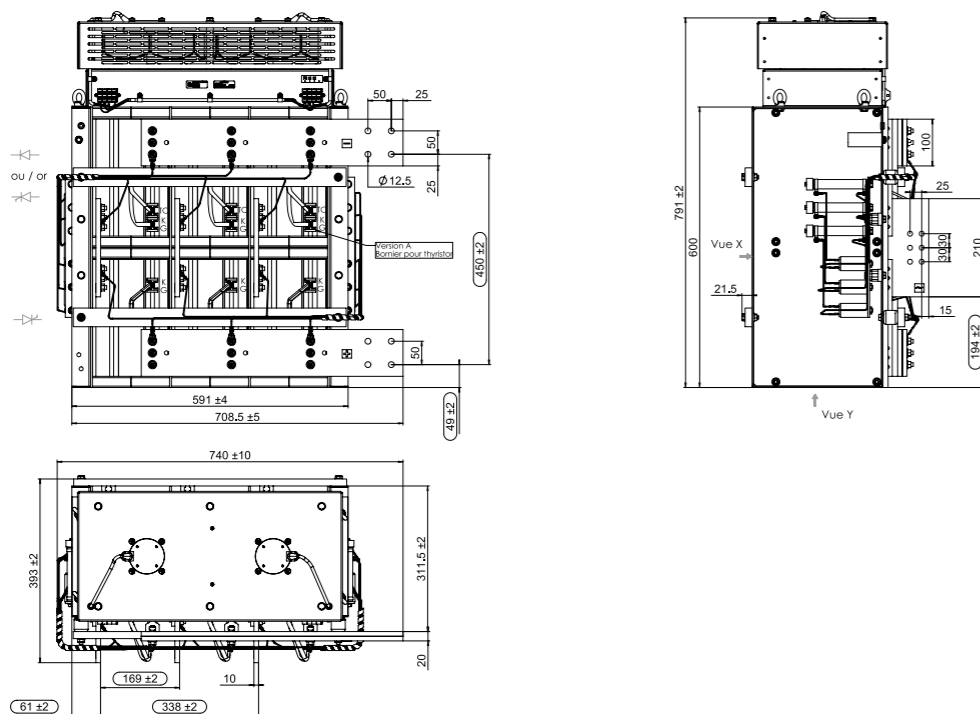
Type	V _{Ac} V	V _{Dc} V	DC Current A	Component Family	Cooling	Heatsink profile	Isolated	Circuit
3-phase reverse parallel thyristor converter								
SKS 67N W3C 60 V16	500	-	67	SEMIPACK 1	Natural cooled	P3/180	yes	
SKS 67N W3C 60 V16 SU	500	-	67	SEMIPACK 1	Natural cooled	P3/180	yes	
SKS 140F W3C 120 V16	500	-	140	SEMIPACK 1	Forced-air cooled	P3/180	yes	
SKS 140F W3C 120 V16 SU	500	-	140	SEMIPACK 1	Forced-air cooled	P3/180	yes	
SKS 170N W3C 150 V16	500	-	170	Stud devices	Natural cooled	P1/150	no	
SKS 170N W3C 150 V16 SU	500	-	170	Stud devices	Natural cooled	P1/150	no	
SKS 195F W3C 170 V16	500	-	195	SEMIPACK 2	Forced-air cooled	P3/265	yes	
SKS 195F W3C 170 V16 SU	500	-	195	SEMIPACK 2	Forced-air cooled	P3/265	yes	
SKS 275N W3C 240 V16	500	-	275	Stud devices	Natural cooled	P1/200	no	
SKS 275N W3C 240 V16 SU	500	-	275	Stud devices	Natural cooled	P1/200	no	
SKS 290F W3C 250 V16	500	-	290	SEMIPACK 2	Forced-air cooled	P16/200	yes	
SKS 290F W3C 250 V16 SU	500	-	290	SEMIPACK 2	Forced-air cooled	P16/200	yes	
SKS 450F W3C 390 V16	500	-	450	SEMIPACK 3	Forced-air cooled	P16/200	yes	
SKS 450F W3C 390 V16 SU	500	-	450	SEMIPACK 3	Forced-air cooled	P16/200	yes	
SKS 520F W3C 450 V16	500	-	520	SEMIPACK 3	Forced-air cooled	P16/200	yes	
SKS 520F W3C 450 V16 SU	500	-	520	SEMIPACK 3	Forced-air cooled	P16/200	yes	
SKS 545N W3C 470 V16	500	-	545	Capsules	Natural cooled	P11/415	no	
SKS 545N W3C 470 V16 SU	500	-	545	Capsules	Natural cooled	P11/415	no	
SKS 650N W3C 560 V16	500	-	650	Capsules	Natural cooled	U3/515	no	
SKS 650N W3C 560 V16 SU	500	-	650	Capsules	Natural cooled	U3/515	no	
SKS 760F W3C 660 V16	500	-	760	SEMIPACK 5	Forced-air cooled	P16/300	yes	
SKS 760F W3C 660 V16 SU	500	-	760	SEMIPACK 5	Forced-air cooled	P16/300	yes	
SKS 780N W3C 675 V16	500	-	780	Capsules	Natural cooled	U3/515	no	
SKS 780N W3C 675 V16 SU	500	-	780	Capsules	Natural cooled	U3/515	no	
SKS 950F W3C 825 V16	500	-	950	Capsules	Forced-air cooled	P17/130	no	
SKS 950F W3C 825 V16 SU	500	-	950	Capsules	Forced-air cooled	P17/130	no	
SKS 1180F W3C 1020 V16	500	-	1180	Capsules	Forced-air cooled	P17/130	no	
SKS 1180F W3C 1020 V16 SU	500	-	1180	Capsules	Forced-air cooled	P17/130	no	
SKS 1540F W3C 1335 V16	500	-	1540	Capsules	Forced-air cooled	P18/180	no	
SKS 1540F W3C 1335 V16 SU	500	-	1540	Capsules	Forced-air cooled	P18/180	no	
SKS 2150F W3C 1860 V16	500	-	2150	Capsules	Forced-air cooled	N4/250	no	
SKS 2150F W3C 1860 V16 ZU	500	-	2150	Capsules	Forced-air cooled	N4/250	no	

Footnotes: 2) In production new

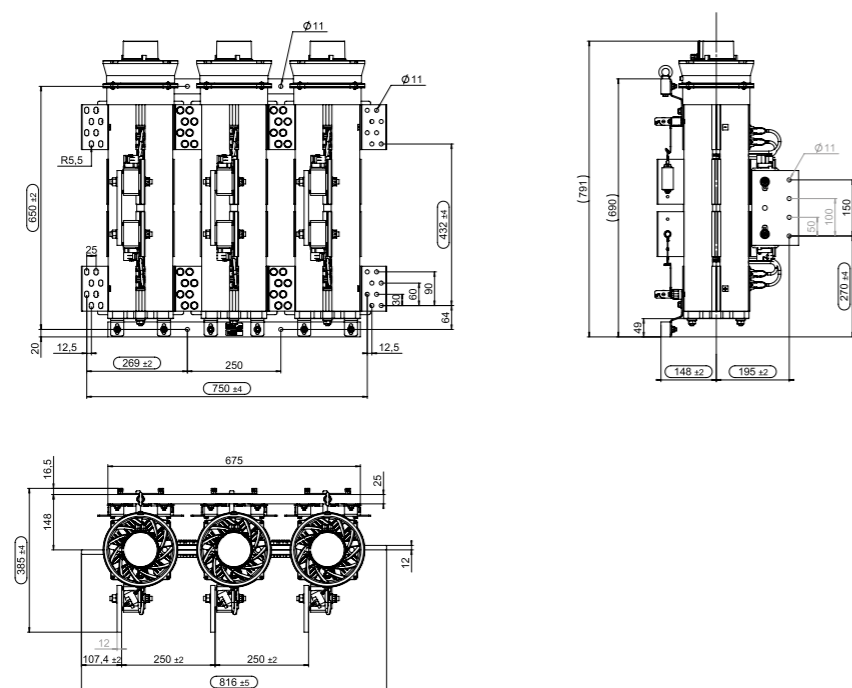
Stacks / SEMISTACK CLASSICS

Cases

SKS



SKSE



Dimensions in mm

Systems

Most Compact Power Electronics System for Utility Vehicles

SEMIKRON's motor controllers are already fully equipped with current sensors, IGBT drivers, DC link capacitors and a fast processor (DSP).

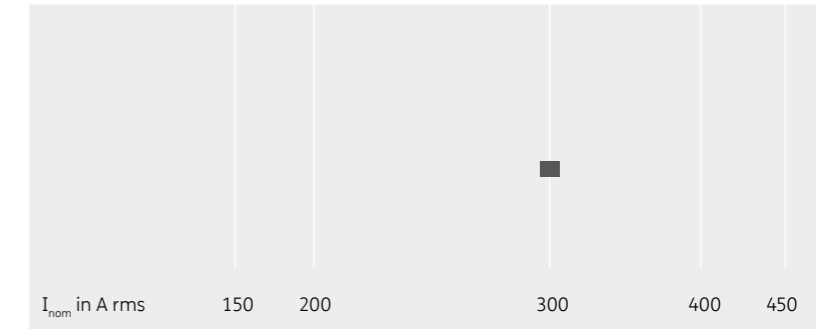
The systems are designed to operate with supply voltages of 24V up to 800V and with output power ratings of up to 250 kVA.

Product	Page
SKAI 2	162

Systems

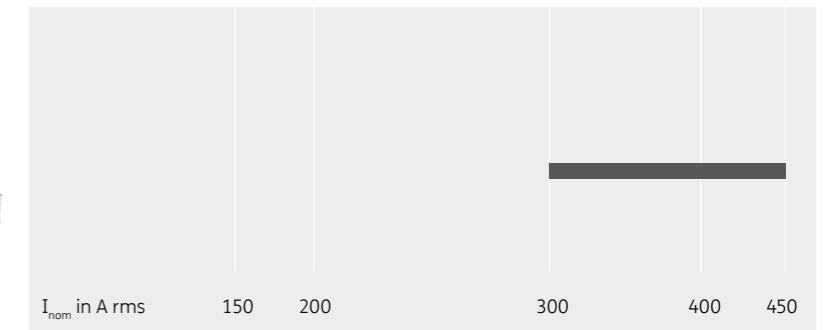
SKAI[®]2 IGBT motor controller

115V up to 800V



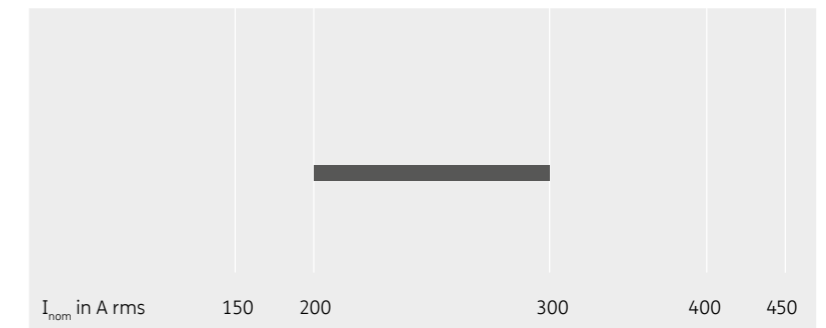
SKAI[®]2 MOSFET Single Motor Controller

24V up to 115V



SKAI[®]2 MOSFET Dual Motor Controller

24V up to 115V



For detailed information please refer to data sheets.

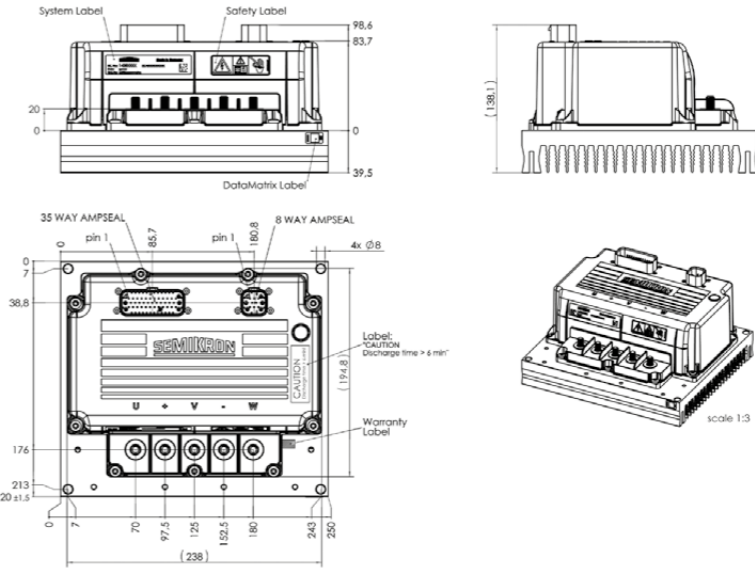
Further information:
www.semikron.com/systems

Type	$V_{\text{battery (max)}}$ V	I_{room} A_{rms}	Topology	Cooling	DSP	Case	Circuit
MOSFET - Motor Controller							
SKAI 60 A2 MD10-P ¹⁾	72	260	3-Phase	Baseplate	Yes	3	
SKAI 60 A2 MD10-L ¹⁾	72	260	3-Phase	Forced Air	Yes	1	
SKAI 60 A2 MD10-W ¹⁾	72	450	3-Phase	Liquid	Yes	2	
SKAI 70 A2 MD15-W ¹⁾	115	450	3-Phase	Liquid	Yes	2	
SKAI 60 A2 MM10-L ¹⁾	72	190	Dual 3-Phase	Forced Air	Yes	4	
SKAI 60 A2 MM10-W ¹⁾	72	300	Dual 3-Phase	Liquid	Yes	5	
SKAI 70 A2 MM15-P ¹⁾	115	140	Dual 3-Phase	Baseplate	Yes	6	
SKAI 70 A2 MM15-L ¹⁾	115	140	Dual 3-Phase	Forced Air	Yes	4	
SKAI 70 A2 MM15-W ¹⁾	115	300	Dual 3-Phase	Liquid	Yes	5	
IGBT - Motor Controller							
SKAI 90 A2 GD06-WCI ²⁾	450	300	3-Phase	Liquid	Yes	7	
SKAI 45 A2 GD12-WCI ²⁾	800	300	3-Phase	Liquid	Yes	7	
SKAI 90 A2 GD06-WDI ²⁾	450	300	3-Phase	Liquid	No	7	
SKAI 45 A2 GD12-WDI ²⁾	800	300	3-Phase	Liquid	No	7	

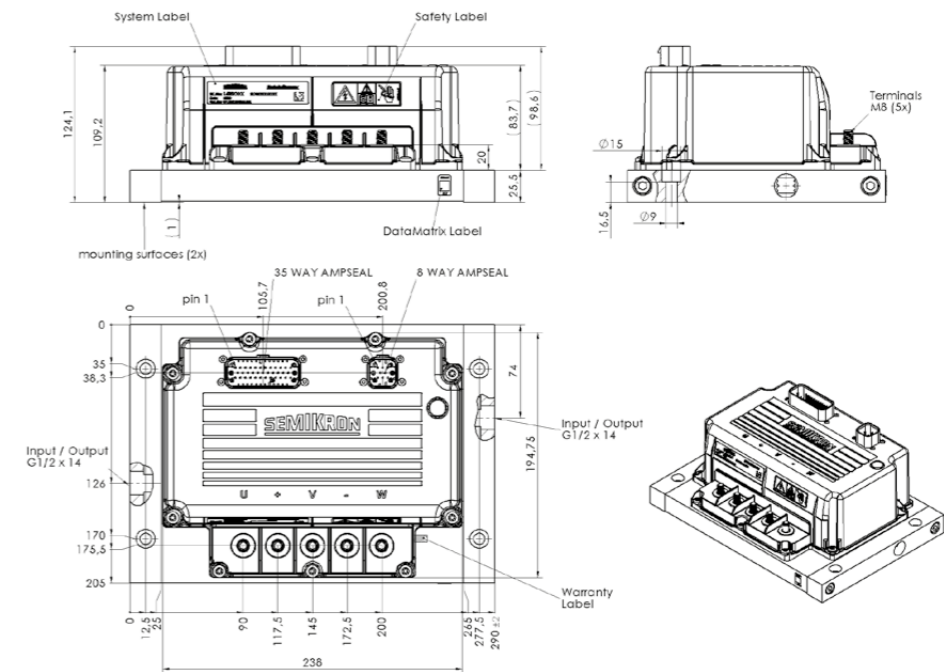
Footnotes: 1) Sample status / 2) In production new

Cases

Case 1



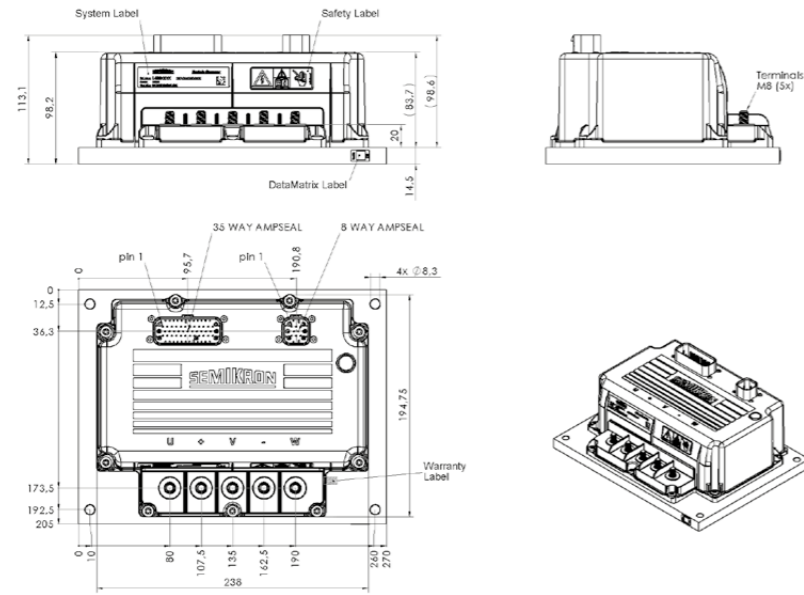
Case 2



Dimensions in mm

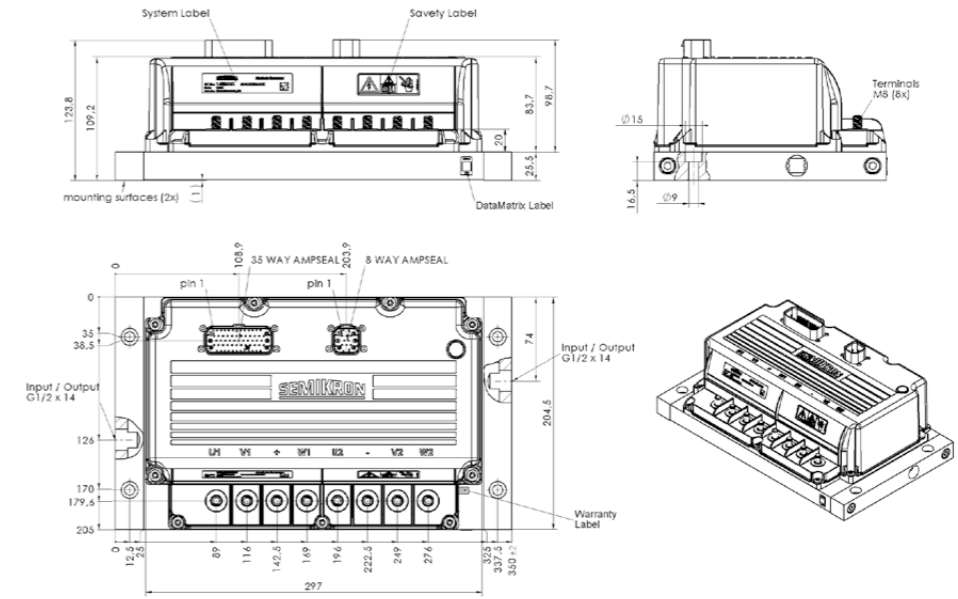
Cases

Case 3

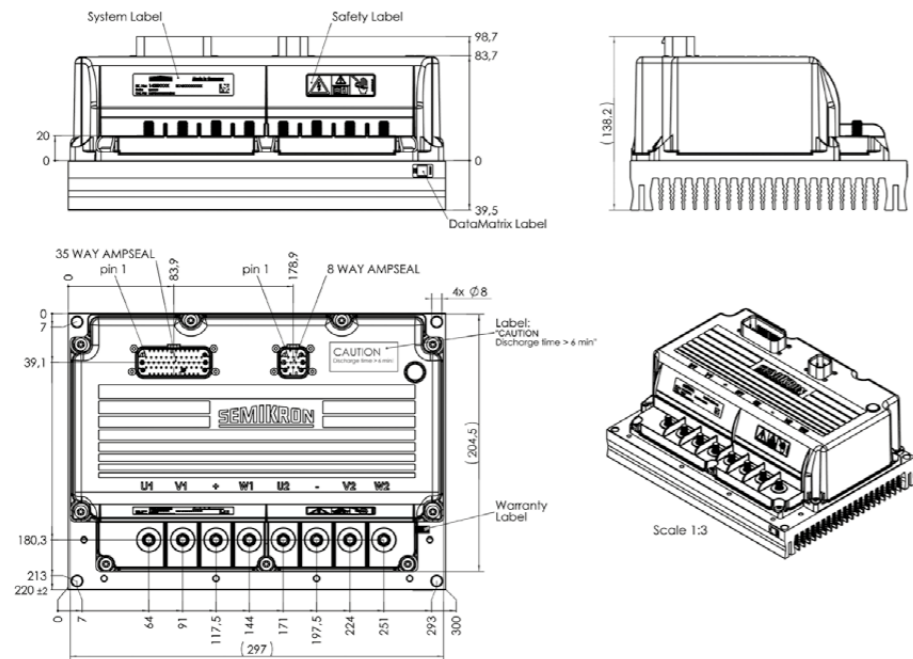


Cases

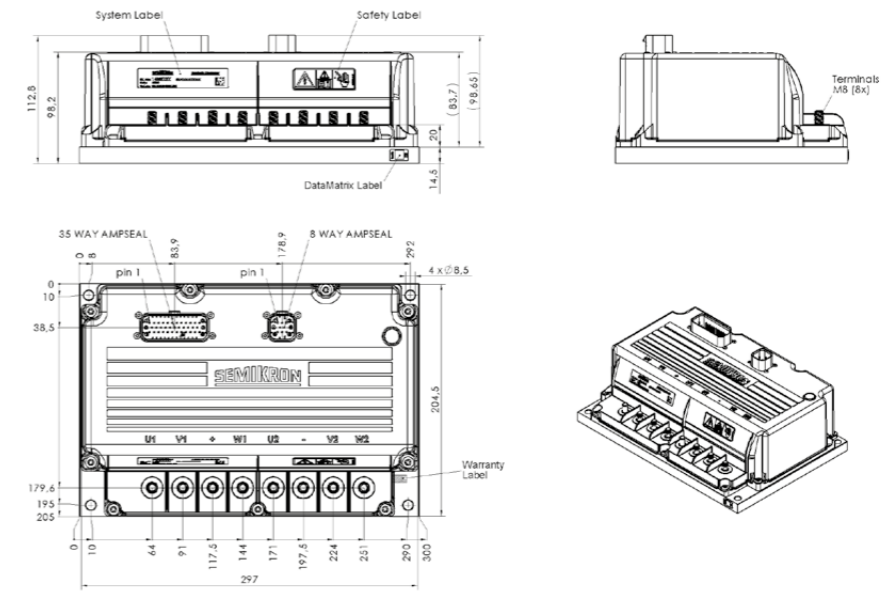
Case 5

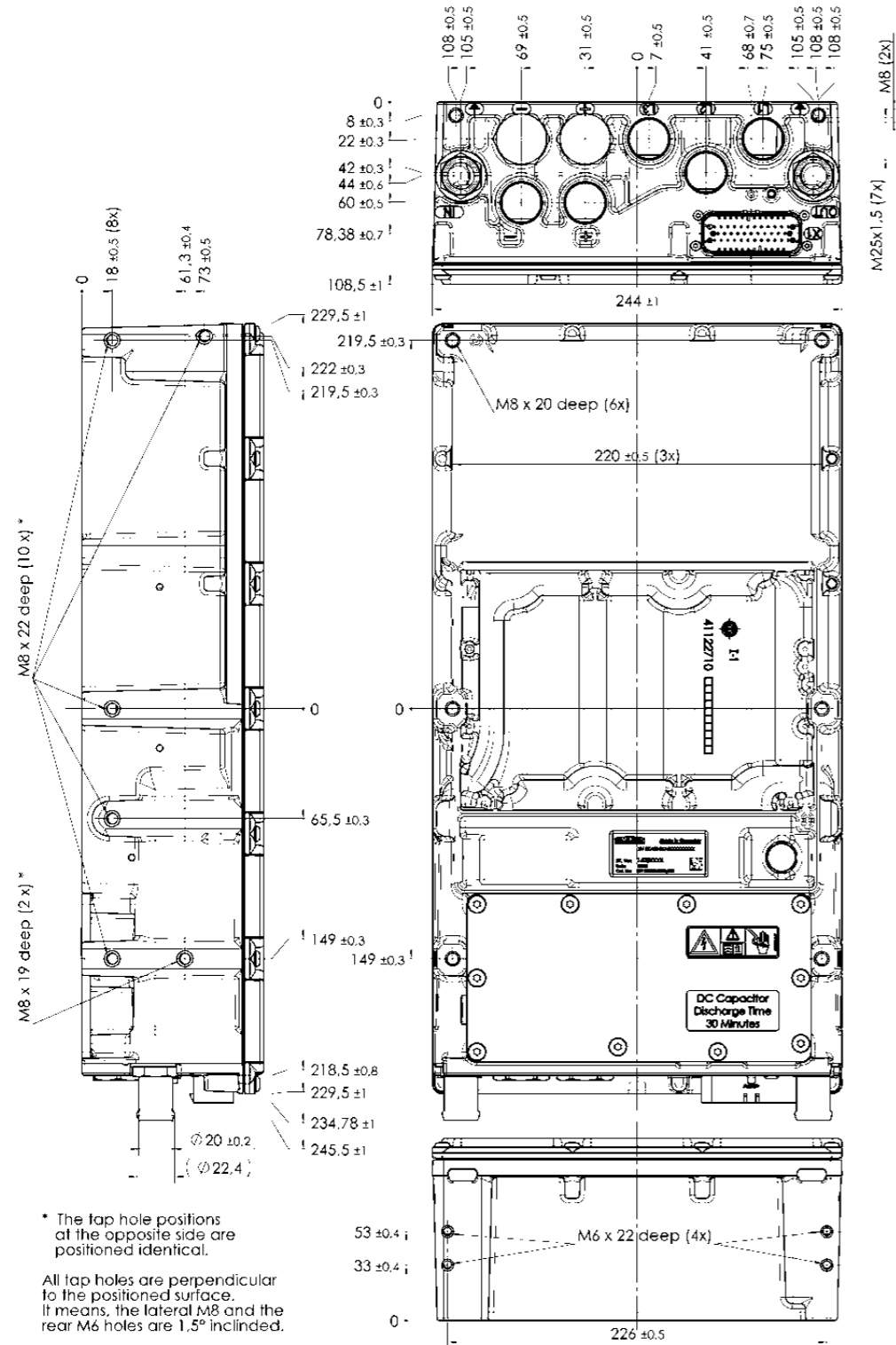


Case 4



Case 6





Chips – CAL (Controlled Axial Lifetime) freewheeling diodes are available in 600V / 650V, 1200V, and 1700V voltage classes with current ratings up to 200A. Depending on the target application's frequency, variants with custom designed switching properties are available.

Rectifier diodes and thyristors are designed for the 1600V voltage class, covering a wide range of current ratings up to 770A, equivalent to a die size of more than 500mm². Variable configurations of the thyristor gate (corner vs. center gate) enable an optimized bond layout in the respective target design on the customer side. All chips are used throughout SEMIKRON's module and system range which means a proven history of outstanding performance and reliability. They are compatible to various joint and assembly techniques. Customers may benefit from the vast application knowledge of the SEMIKRON engineering team.

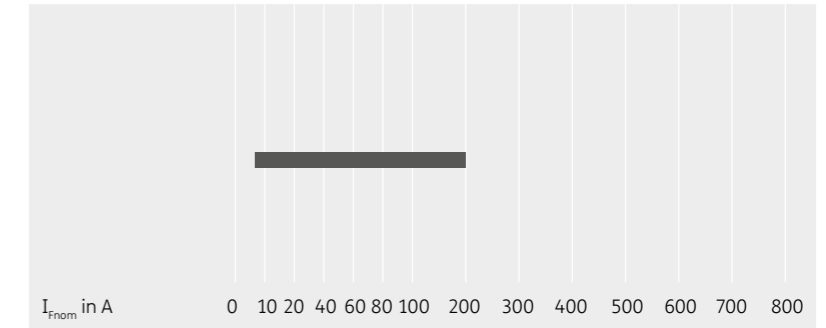
Product	Page
Chips SEMICELL	
Freewheeling Diode CAL	170
Rectifier Diode	173
Thyristor	173

Chips SEMICELL

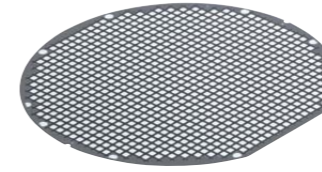
Freewheeling Diode CAL



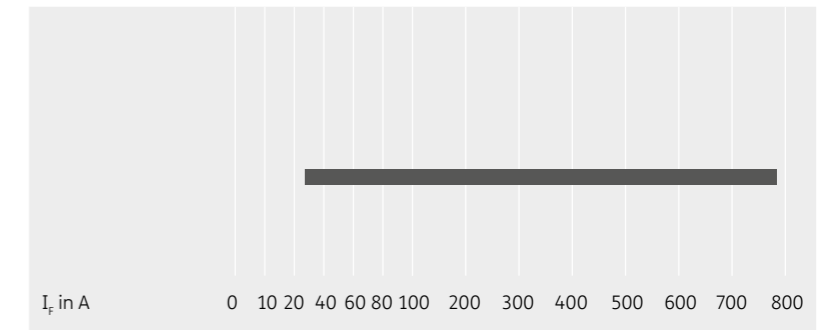
600V up to 1700V



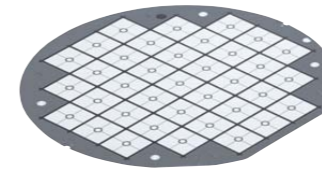
Rectifier Diode



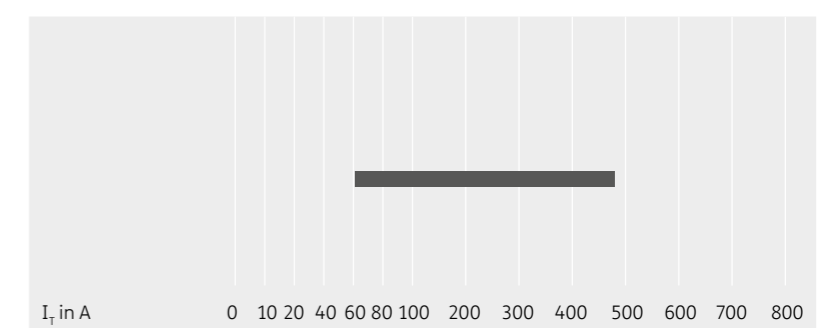
1600V



Thyristor



1600V



For detailed information please refer to data sheets.

Further information:
www.semikron.com/chips

Discretes / Chips / SEMICELL

Type	V_{RRM} V	$I_f @ T_j = 150^\circ\text{C}$ A	$I_{FSM} @ T_j = 150^\circ\text{C} 10\text{ms}$ A	$V_f @ T_j = 25^\circ\text{C}$ V	$I_f @ V_f, T_j = 25^\circ\text{C}$ A	$Q_{rr} @ T_j = 125^\circ\text{C}$ nC
600V - Freewheeling Diodes CAL I3 Fast						
SKCD 06 C 060 I3	600	15	80	1.35	8	1
SKCD 09 C 060 I3	600	20	100	1.35	13	1.46
SKCD 18 C 060 I3	600	30	200	1.35	25	1.98
SKCD 31 C 060 I3	600	50	440	1.35	50	3.3
SKCD 47 C 060 I3	600	80	720	1.35	85	6.2
SKCD 61 C 060 I3	600	100	1000	1.35	110	8.7
SKCD 81 C 060 I3	600	150	1260	1.35	155	11.5
SKCD 121 C 060 I3	600	210	2100	1.35	245	18

Type	V_{RRM} V	$I_f @ T_j = 175^\circ\text{C}$ A	$I_{FSM} @ T_j = 150^\circ\text{C} 10\text{ms}$ A	$V_f @ T_j = 25^\circ\text{C}$ V	$I_f @ V_f, T_j = 25^\circ\text{C}$ A	$Q_{rr} @ T_j = 150^\circ\text{C}$ nC
600V - Freewheeling Diodes CAL High Density						
SKCD 04 C 060 I HD	600	10	65	1.23	4.7	1.3
SKCD 06 C 060 I HD	600	20	95	1.23	8	1.42
SKCD 09 C 060 I HD	600	30	160	1.23	13	2.4
SKCD 16 C 060 I HD	600	50	320	1.23	25	3.87
SKCD 24 C 060 I HD	600	75	395	1.23	41	6
SKCD 42 C 060 I HD	600	100	810	1.23	75	11.1
SKCD 61 C 060 I HD	600	150	1080	1.23	112	15.75
SKCD 81 C 060 I HD	600	200	1310	1.23	152	19.69

Type	V_{RRM} V	$I_f @ T_j = 175^\circ\text{C}$ A	$I_{FSM} @ T_j = 150^\circ\text{C} 10\text{ms}$ A	$V_f @ T_j = 25^\circ\text{C}$ V	$I_f @ V_f, T_j = 25^\circ\text{C}$ A	$E_{rr} @ T_j = 150^\circ\text{C}$ mJ
650V - Freewheeling Diodes CAL I4 Fast						
SKCD 24 C 065 I4F	650	50	460	1.30	39	1.1
SKCD 42 C 065 I4F	650	100	680	1.30	73	2.2
SKCD 61 C 065 I4F	650	150	1100	1.30	109	3.8
SKCD 81 C 065 I4F	650	200	1290	1.30	148	5.8

Discretes / Chips / SEMICELL

Type	V_{RRM} V	$I_f @ T_j = 150^\circ\text{C}$ A	$I_{FSM} @ T_j = 150^\circ\text{C} 10\text{ms}$ A	$V_f @ T_j = 25^\circ\text{C}$ V	$I_f @ V_f, T_j = 25^\circ\text{C}$ A	$Q_{rr} @ T_j = 125^\circ\text{C}$ nC
1200V - Freewheeling Diodes CAL I3 Fast						
SKCD 11 C 120 I3	1200	15	130	2.00	10	1.6
SKCD 18 C 120 I3	1200	25	200	2.00	15	3
SKCD 23 C 120 I3R	1200	30	270	2.00	25	3.8
SKCD 31 C 120 I3	1200	40	370	2.00	35	5.3
SKCD 47 C 120 I3	1200	55	600	2.00	55	7.5
SKCD 61 C 120 I3	1200	75	800	2.00	70	11
SKCD 81 C 120 I3	1200	100	1100	2.00	100	16.5
SKCD 121 C 120 I3	1200	150	1600	2.00	155	24

Type	V_{RRM} V	$I_f @ T_j = 175^\circ\text{C}$ A	$I_{FSM} @ T_j = 150^\circ\text{C} 10\text{ms}$ A	$V_f @ T_j = 25^\circ\text{C}$ V	$I_f @ V_f, T_j = 25^\circ\text{C}$ A	$E_{rr} @ T_j = 150^\circ\text{C}$ mJ
1200V - Freewheeling Diodes CAL High Density						
SKCD 06 C 120 I HD	1200	6	60	1.50	5	1.24
SKCD 11 C 120 I HD	1200	15	140	1.50	12	2.9
SKCD 14 C 120 I HD	1200	20	170	1.50	15	4
SKCD 18 C 120 I HD	1200	25	200	1.50	20	5
SKCD 31 C 120 I HD	1200	55	480	1.50	45	11
SKCD 47 C 120 I HD	1200	85	700	1.50	70	17.4
SKCD 61 C 120 I HD	1200	115	900	1.50	90	24.5
SKCD 81 C 120 I HD	1200	160	1150	1.50	130	34.4

Type	V_{RRM} V	$I_f @ T_j = 175^\circ\text{C}$ A	$I_{FSM} @ T_j = 150^\circ\text{C} 10\text{ms}$ A	$V_f @ T_j = 25^\circ\text{C}$ V	$I_f @ V_f, T_j = 25^\circ\text{C}$ A	$E_{rr} @ T_j = 150^\circ\text{C}$ mJ
1200V - Freewheeling Diodes CAL I4 Fast						
SKCD 08 C 120 I4F	1200	8	36	2.33	8	0.4
SKCD 11 C 120 I4F	1200	15	65	2.38	15	0.6
SKCD 16 C 120 I4F	1200	25	100	2.41	25	1
SKCD 22 C 120 I4F	1200	35	170	2.30	35	1.6
SKCD 31 C 120 I4F	1200	50	270	2.22	50	2.6
SKCD 46 C 120 I4F	1200	75	430	2.17	75	4.2
SKCD 46 C 120 I4F R	1200	75	430	2.17	75	4.2
SKCD 53 C 120 I4F	1200	100	550	2.20	100	5.4
SKCD 81 C 120 I4F	1200	150	900	2.14	150	8.7

Discretes / Chips / SEMICELL

Type	V_{RRM} V	$I_f @ T_j=150^\circ\text{C}$ A	$I_{FSM} @ T_j=150^\circ\text{C} 10\text{ms}$ A	$V_f @ T_j=25^\circ\text{C}$ V	$I_f @ V_f, T_j=25^\circ\text{C}$ A	$Q_{rr} @ T_j=125^\circ\text{C}$ nC
1700V - Freewheeling Diodes CAL Fast						
SKCD 47 C 170 I	1700	55	550	2.05	55	15
SKCD 61 C 170 I	1700	75	720	2.05	75	24
1700V - Freewheeling Diodes CAL High Density						
SKCD 47 C 170 I HD	1700	75	650	1.73	75	25
SKCD 61 C 170 I HD	1700	100	710	1.73	100	35
SKCD 81 C 170 I HD	1700	150	1070	1.73	150	53.5

Type	V_{RRM} V	$I_f @ T_j=175^\circ\text{C}$ A	$I_{FSM} @ T_j=150^\circ\text{C} 10\text{ms}$ A	$V_f @ T_j=25^\circ\text{C}$ V	$I_f @ V_f, T_j=25^\circ\text{C}$ A	$E_r @ T_j=150^\circ\text{C}$ mJ
1700V - Freewheeling Diodes CAL I4 Fast						
SKCD 28 C 170 I4F	1700	40	280	1.71	23	12
SKCD 46 C 170 I4F	1700	75	450	1.71	43	17
SKCD 56 C 170 I4F	1700	100	580	1.71	57	22.2
SKCD 81 C 170 I4F	1700	150	860	1.71	89	31.5

Discretes / Chips / SEMICELL

Type	V_{RRM} V	$I_{RDC} @ T_j=150^\circ\text{C}$ A	$I_{FSM} @ T_j=150^\circ\text{C} 10\text{ms}$ A	$V_f @ T_j=25^\circ\text{C}$ V	$I_f @ V_f, T_j=25^\circ\text{C}$ A	$t_{rr} @ T_j=25^\circ\text{C}$ ns
1600V - Rectifier						
SKR 3,5 Qu bond ⁶⁾	1600	25	200	1.00	8	20
SKR 4,2 Qu bond ⁶⁾	1600	35	270	1.00	13	20
SKR 4,8 Qu bond ⁶⁾	1600	45	350	1.00	18	21
SKR 5,6 Qu bond ⁶⁾	1600	50	490	1.00	25	22
SKR 6,2 Qu bond ⁶⁾	1600	65	600	1.00	33	22
SKR 7,0 Qu bond ⁶⁾	1600	75	890	1.00	45	23
SKR 8,9 Qu bond ⁶⁾	1600	140	1380	1.00	77	26
SKR 10,3 Qu bond ⁶⁾	1600	170	1650	1.00	106	29
SKR 12,4 Qu bond ⁶⁾	1600	235	2300	1.00	160	34
SKR 15,2 Qu bond ⁶⁾	1600	330	3800	1.00	245	42
SKR 16,3 x 18,2 Qu bond ⁶⁾	1600	365	5100	1.00	320	49
SKN 18,2 Qu bond ⁶⁾	1600	380	5500	1.00	360	53
SKN 22,4 Qu bond ⁶⁾	1600	770	9450	1.00	550	72

Footnotes: 6) solderable top metallization on request

Type	V_{RRM}, V_{DRM} V	$I_{TRC} @ T_j=130^\circ\text{C}$ A	$I_{TSM} @ T_j=130^\circ\text{C} 10\text{ms}$ A	$V_{GT} @ T_j=25^\circ\text{C}$ V	$I_{GT} @ T_j=25^\circ\text{C}$ A	$t_q @ T_j=130^\circ\text{C}$ µs
1600V - Thyristor Central Gate						
SKT 8,9 Qu ZG bond ⁶⁾	1600	105	1000	1.98	100	150
SKT 10,3 Qu ZG bond ⁶⁾	1600	125	1250	1.98	100	150
SKT 12,4 Qu ZG bond ⁶⁾	1600	165	1800	1.98	100	150
SKT 13,5 Qu ZG bond ⁶⁾	1600	185	2300	1.98	100	135
SKT 15,2 Qu ZG bond ⁶⁾	1600	215	3200	1.98	100	150
SKT 18,2 Qu ZG bond ⁶⁾	1600	250	5000	1.98	100	150
SKT 24,3 Qu ZG bond SG ⁶⁾	1600	480	8200	1.98	150	150
1600V - Thyristor Corner Gate						
SKT 5,6 Qu RG bond ⁶⁾	1600	60	280	1.98	100	150
SKT 7,0 Qu RG bond ⁶⁾	1600	75	450	1.98	100	150
SKT 8,9 Qu RG bond ⁶⁾	1600	105	1000	1.98	100	150
SKT 10,3 Qu RG bond ⁶⁾	1600	125	1250	1.98	100	150
SKT 12,4 Qu RG bond ⁶⁾	1600	165	1800	1.98	100	150

Footnotes: 6) solderable top metallization on request

Discrete diodes – SEMIKRON offers discrete diodes in three major packaging styles; axial epoxy diodes for PCB mounting, stud screw fit diodes that are convenient for applications like welding and rotating rectifiers in brushless generators due to their robustness and simple mounting, besides the capsule (disc) diodes for high power applications.

The line offers standard rectifiers with current ratings up to 6000A, fast rectifiers up to 140A, and avalanche rectifiers that allow high voltage rectification up to 5000V with single diodes and much more when connected in series. Typical applications: all-purpose rectifiers, battery chargers, welding equipment, rotating rectifiers for brushless generators, electroplating, free-wheeling diodes, high voltage rectifiers, electrostatic filters, blocking diodes and others.

Discrete thyristors – SEMIKRON's discrete thyristors are offered as stud screw fit types that are convenient for applications which require robustness and simple mounting, plus capsule (disc) types for high power applications. The line has phase control types for current ratings up to 1200A, with blocking and reverse voltages up to 1800V, covering the major market applications. Typical applications: soft-starters, resistance heating, static switches, battery chargers, welding equipment, static excitation and others.

Product	Page
Discrete diode	
Leaded	176
Stud screw-fit	177
Capsule	179
Discrete thyristor	
Stud screw-fit	180
Capsule	181

▶ For detailed information please refer to data sheets.

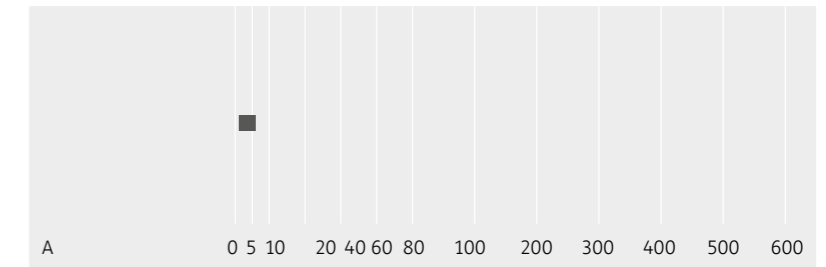
Further information:
www.semikron.com/discrete-diodes
www.semikron.com/discrete-thyristors

Discrete diodes

Leaded



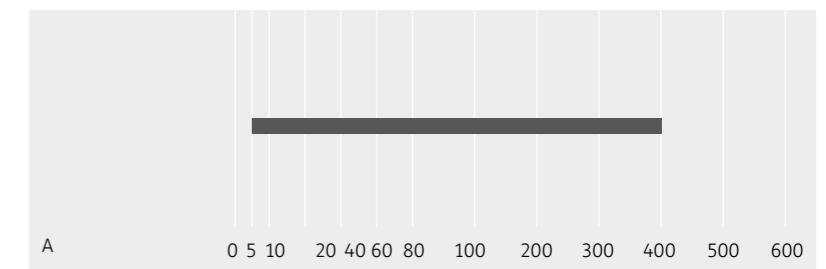
100V up to 2000V



Stud screw-fit



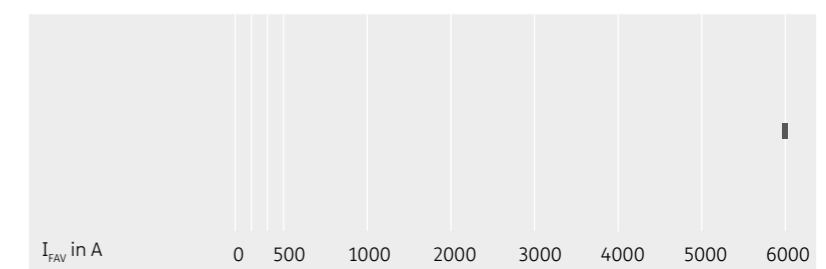
400V up to 5000V



Capsule



200V up to 6000V

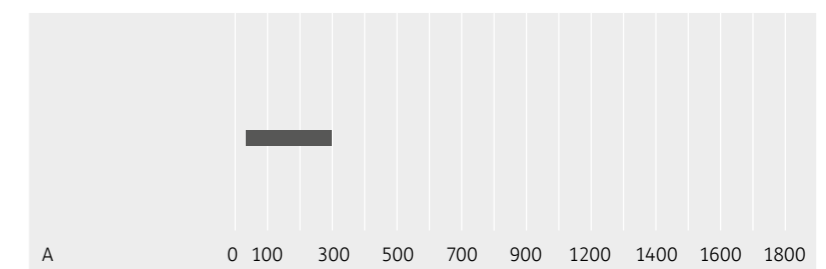


Discrete thyristors

Stud screw-fit



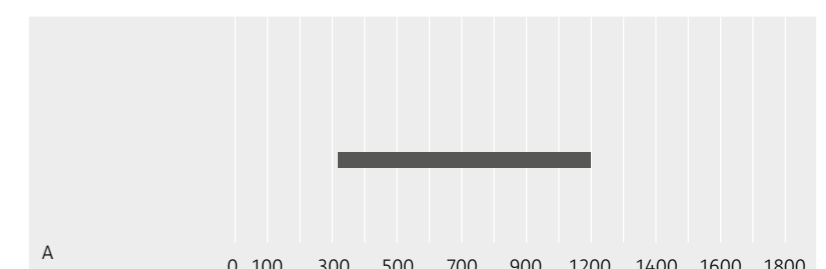
400V up to 1800V



Capsule



400V up to 1800V



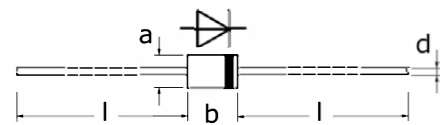
Discretes / Diodes / Leaded

Type	Voltage (V)	Current (A)	T _c (°C)	I _{FSM} @T _J =25°C (A)	V _F (V)	R _{th(j-c)} per chip (K/W)	T _J (°C)	Case	Topology Picture
	V	A	°C	A	V	K/W	°C		
Standard recovery									
SK 1	1000-1600	1.45	60	60	1.50	85	-40 ... +150	E33	
SKN 2,5 ²⁾	400-1600	2.5	45	180	1.20	55	-40 ... +180	E5	
SK 3	1000-1600	3.3	85	180	1.20	60	-40 ... +150	E34	
SKN 5 ²⁾	200-1600	5	45	190	1.25	25	-40 ... +180	E6	
SK 6 ²⁾	1000-1600	6	50	375	1.10	55	-40 ... +150	SK6	
Avalanche									
SKa1	1300-1700	1.45	60	60	1.50	85	-40 ... +150	E33	
SKNa2 ²⁾	1300-1700	2	45	180	1.20	55	-40 ... +150	E5	
SKa3	1300-1700	3.3	90	180	1.20	60	-40 ... +150	E34	
SKNa4 ²⁾	1300-1700	3.7	35	190	1.20	25	-40 ... +150	E6	
SKa 6 ²⁾	1300-1600	6	50	375	1.10	55	-40 ... +150	SK6	

Footnotes: 2) In production new

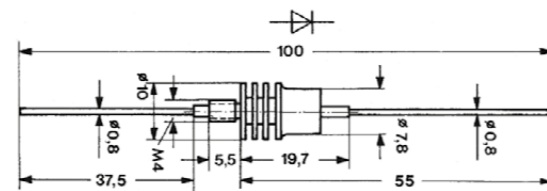
Cases

E33 / E34 / SK6

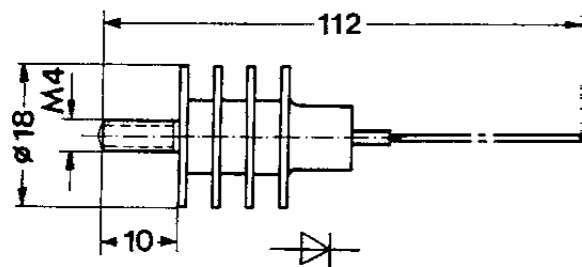


Cases	a	b	l	d
E 33	4,5	7	28	0,75
E 34	6	9	27	1,18
SK6	7,5	9	27	1,28

E5



E6



Dimensions in mm

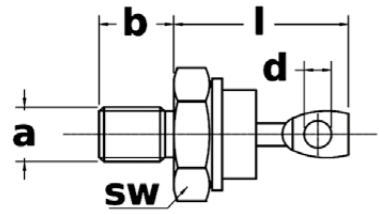
Discretes / Diodes / Stud Screw Fit

Type	Voltage (V)	Current (A)	T _c (°C)	I _{FSM} @T _J =25°C (A)	V _F (V)	R _{th(j-c)} per chip (K/W)	T _J (°C)	Case	Topology Picture
	V	A	°C	A	V	K/W	°C		
Standard recovery									
SKN 20	400-1600	20	125	375	1.55	2	-40 ... +180	E9	
SKN 26	400-1600	25	100	375	1.55	2	-40 ... +180	E8	
SKN 45	400-1600	45	125	700	1.60	0.85	-40 ... +180	E12	
SKN 70	400-1600	70	125	1150	1.50	0.55	-40 ... +180	E12	
SKN 71	400-1600	70	125	1150	1.50	0.55	-40 ... +180	E11	
SKN 100	400-1800	100	120	1750	1.55	0.45	-40 ... +180	E13	
SKN 130	400-1800	130	125	2500	1.50	0.35	-40 ... +180	E14	
SKN 240	400-1800	240	125	6000	1.40	0.2	-40 ... +180	E15	
SKN 320	400-1600	320	125	9000	1.35	0.16	-40 ... +180	E16	
SKN 400	1800-3000	400	100	9000	1.45	0.11	-40 ... +160	E17	
SKR 20	400-1600	20	125	375	1.55	2	-40 ... +180	E9	
SKR 26	400-1600	25	100	375	1.55	2	-40 ... +180	E8	
SKR 45	400-1600	45	125	700	1.60	0.85	-40 ... +180	E12	
SKR 70	400-1600	70	125	1150	1.50	0.55	-40 ... +180	E12	
SKR 71	400-1600	70	125	1150	1.50	0.55	-40 ... +180	E11	
SKR 100	400-1800	100	120	1750	1.55	0.45	-40 ... +180	E13	
SKR 130	400-1800	130	125	2500	1.50	0.35	-40 ... +180	E14	
SKR 240	400-1800	240	125	6000	1.40	0.2	-40 ... +180	E15	
SKR 320	400-1600	320	125	9000	1.35	0.16	-40 ... +180	E16	
Fast recovery									
SKN 2F17	400-1000	17	113	450	2.15	1.2	-40 ... +150	E7	
SKN 3F20	800-1200	20	104	375	2.15	1.2	-40 ... +150	E7	
SKN 2F50	400-1000	50	105	1100	1.80	0.5	-40 ... +150	E10	
SKN 60F	1200-1700	60	100	1400	1.75	0.5	-40 ... +150	E10	
SKN 135F	800-1200	135	100	2500	1.95	0.2	-40 ... +150	E14	
SKN 136F	800-1200	135	100	2500	1.95	0.2	-40 ... +150	E31	
SKN 140F	1200-1700	140	100	2500	1.80	0.2	-40 ... +150	E14	
SKN 141F	1200-1700	140	100	2500	1.80	0.2	-40 ... +150	E31	
SKR 2F17	400-1000	17	113	450	2.15	1.2	-40 ... +150	E7	
SKR 3F20	800-1200	20	104	375	2.15	1.2	-40 ... +150	E7	
SKR 2F50	400-1000	50	95	800	1.80	0.65	-40 ... +150	E10	
SKR 60F	1200-1700	60	100	1400	1.75	0.5	-40 ... +150	E10	
SKR 135F	800-1200	135	100	2500	1.95	0.2	-40 ... +150	E14	
SKR 136F	800-1200	135	100	2500	1.95	0.2	-40 ... +150	E31	
SKR 140F	1200-1700	140	100	2500	1.80	0.2	-40 ... +150	E14	
SKR 141F	1200-1700	140	100	2500	1.80	0.2	-40 ... +150	E31	
Avalanche									
SKNa 20	1300-1700	20	93	375	1.55	2	-40 ... +150	E9	
SKNa 22	3600-5000	25	104	450	1.95	1	-40 ... +160	E42	
SKNa 47	3600-5000	45	106	700	1.80	0.6	-40 ... +160	E43	
SKNa 102	3600-5000	125	80	1900	1.90	0.3	-40 ... +160	E44	
SKNa 202	3600-5000	200	80	3800	1.95	0.2	-40 ... +160	E45	
SKNa 402	3600-5000	400	88	7800	1.85	0.1	-40 ... +160	E46	

Discretes / Diodes / Stud Screw Fit

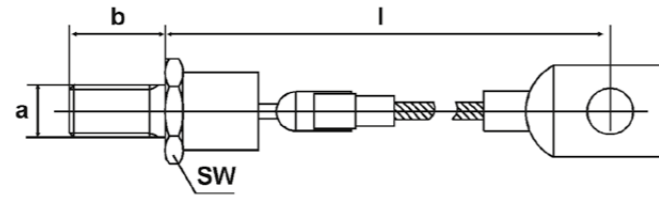
Cases

E7 / E8 / E10 / E11 / E31



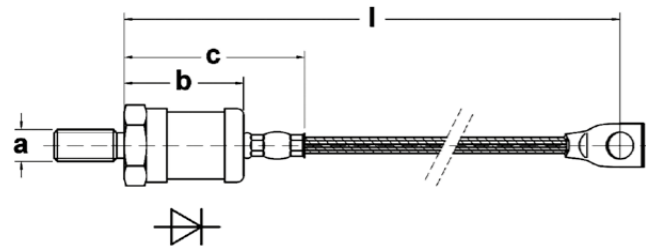
Cases	a	b	d	l	sw
E 7	M 5	11	2,7	22	11
E 8	M 6	11	2,7	21,5	11
E 10	M 6	11	4	25	17
E 11	M 8	11	4	25,5	17
E 31	M 12	18	8,4	55	24

E9 / E12 ... E17



Cases	a	b	l	SW
E 9	M 6	11	130	11
E 12	M 8	11	135	17
E 13	M 12	18	165	24
E 14	M 12	18	165	24
E 15	M 16 x 1,5	20	190	32
E 16, E 17	M 24 x 1,5	20	230	41

E 42 / E 43 / E 44 / E 45 / E 46



Cases	a	b	c	l
E 42	M 6	28.5	45	150
E 43	M 8	32	54	160
E 44	M 12	38	57	185
E 45	M 16 x 1,5	48	70	205
E 46	M 24 x 1,5	54	82	250

Dimensions in mm

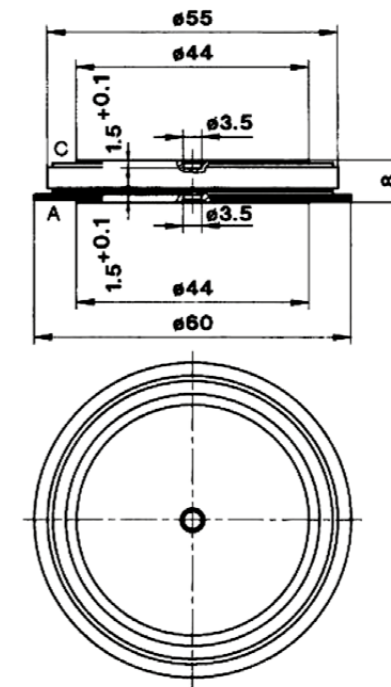
Discretes / Diodes / Capsules

Type

Type	Voltage (V) V	Current (A) A	T _c °C	I _{FSM} @T _J =25°C A	V _F V	R _{th(j-c)} per chip K/W	T _J °C	Case	Topology Picture
SKN 6000	200-600	6000	85	60000	1.30	0.012	-40 ... +180	E35	

Cases

E35



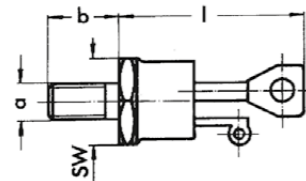
Dimensions in mm

Discretes / Thyristors / Stud Screw Fit

Type	Voltage (V) V	Current (A) A	T _c °C	I _{FSM} @T _J =25°C A	V _T @I _F , T _J =25°C V	I _F @V _T A	R _{th(j-c)} per chip K/W	T _J °C	Case	Topology Picture
SKT 10	600-1200	10	111	250	1.6	30	1.3	-40 ... +130	B1	
SKT 16	400-1800	16	104	370	2.4	75	0.9	-40 ... +130	B2	
SKT 24	400-1800	24	95	450	1.9	75	0.9	-40 ... +130	B2	
SKT 40	400-1800	40	80	700	1.95	120	0.66	-40 ... +130	B3	
SKT 50	600-1800	50	78	1050	1.8	120	0.6	-40 ... +130	B3	
SKT 55	400-1800	55	92	1300	1.8	200	0.47	-40 ... +130	B5	
SKT 80	600-1800	80	85	1700	2.25	300	0.28	-40 ... +130	B5	
SKT 100	400-1800	100	85	2000	1.75	300	0.28	-40 ... +130	B5	
SKT 130	400-1600	130	85	3500	2.25	500	0.18	-40 ... +130	B6	
SKT 160	400-1600	160	84	4300	1.75	500	0.18	-40 ... +130	B6	
SKT 250	400-1600	250	85	7000	1.65	800	0.123	-40 ... +130	B7	
SKT 300	400-1600	300	93	11000	1.45	800	0.096	-40 ... +130	B7	

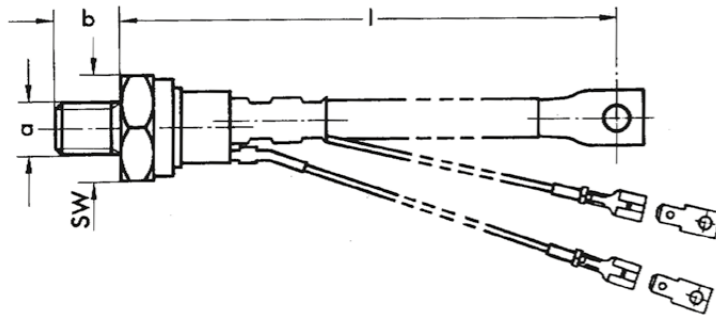
Cases

B1 ... B3



Cases	a	b	l	SW
B1	M5	11	20,3	11
B2	M6	11	30	14
B3	M8	11	33,5	17

B5 ... B7



Cases	a	b	l	SW
B5	M 12	18	160	24
B6	M 16 x 1,5	20	190	32
B7	M 24 x 1,5	20	230	41

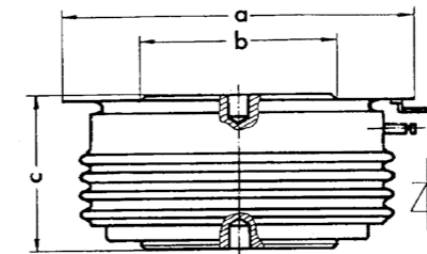
Dimensions in mm

Discretes / Thyristors / Capsules

Type	Voltage (V) V	Current (A) A	T _c °C	I _{FSM} @T _J =25°C A	V _T @I _F , T _J =25°C V	I _F @V _T A	R _{th(j-c)} per chip K/W	T _J °C	Case	Topology Picture
SKT 340	1200-1800	340	82	5700	1.9	1000	0.072	-40 ... +125	B8	
SKT 493	400-1800	490	80	8000	2.1	1500	0.047	-40 ... +125	B11a	
SKT 551	1200-1800	550	85	9000	1.65	1500	0.047	-40 ... +125	B11	
SKT 553	400-1800	550	85	9000	1.65	1500	0.047	-40 ... +125	B11a	
SKT 760	1200-1800	760	80	15000	1.65	2400	0.04	-40 ... +125	B10	
SKT 1200	1200-1800	1200	85	30000	1.65	3600	0.021	-40 ... +125	B14	

Cases

B8 ... B14



Cases	a	b	c
B 8	41	19	14
B 10	57,3	34	26
B 11	41	25	14
B 11a	41	25	14
B 14	73	47	26

Dimensions in mm

Accessories

Heatsinks / Fans

Heatsinks – SEMIKRON offers a broad range of different heat sinks including forced and natural air cooling. The heatsinks are available for capsules, insulated base modules or IPMs.

Fans – SEMIKRON offers a broad range of axial, centrifugal and radial fans for different inverter designs.

Product	Page
Heatsinks	184
Fans	186

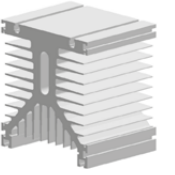
▶ For detailed information please refer to data sheets.

Further information:
www.semikron.com/heatsinks
www.semikron.com/fans

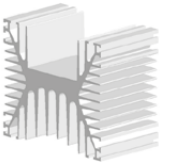
Heatsinks / Fans

Heatsinks

Forced air cooled



Natural cooled

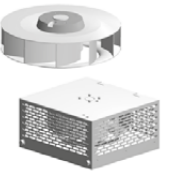


Fans

Axial



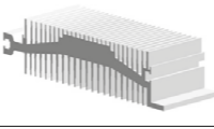
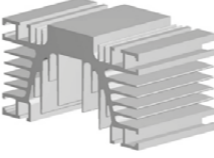
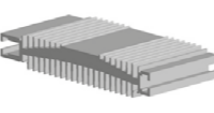
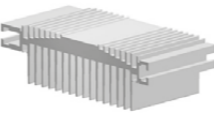
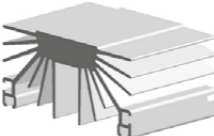
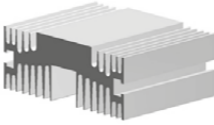
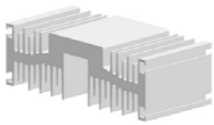
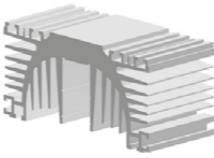
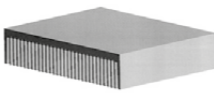
Centrifugal



Radial

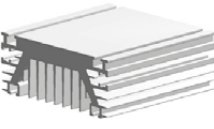
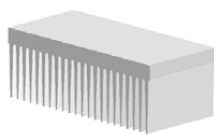
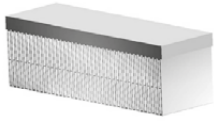
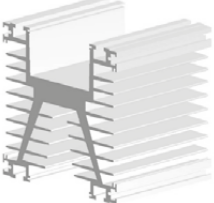
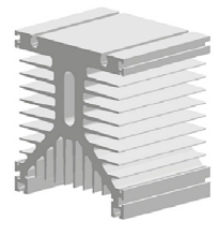
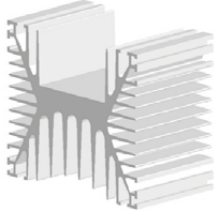


Accessories / Heatsinks

Type	Suitable for	R_{thsa} natural cooling K/W	R_{thsa} forced air cooling K/W	Weight kg	Weight kg/m	Produkt Picture
Forced-air cooled						
N 4	Capsules	-	0.04	6.3	25.1	
P 11	Capsules	0.2	0.05	3.8	15	
P 17	Capsules	0.45	0.12	1.5	10.6	
P 18	Capsules	0.37	0.08	1.6	12.2	
P 8 ⁹⁾	Capsules	0.35	0.07	1.7	9.6	
P 8,5 ⁹⁾	Capsules	0.3	0.08	1.5	9.5	
P 9 ⁹⁾	Capsules	0.21	0.06	4.1	17.8	
U 3	Capsules	0.14	0.06	7.1	23.7	
P 21 ⁹⁾	Isolated base modules	-	0.02	4.1	40.8	


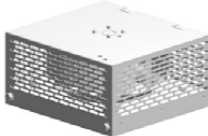
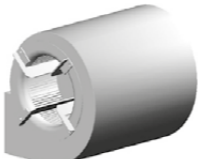


Footnotes: 9) Non standard item, available on request only, typical minimum batch quantities of 60 pieces will apply

Accessories / Heatsinks

Type	Suitable for	R_{thsa} natural cooling K/W	R_{thsa} forced air cooling K/W	Weight kg	Weight kg/m	Produkt Picture
Forced-air cooled						
R 4A	Isolated base modules	1.4	0.38	0.6	-	
P 16	SKiiP or modules	-	0.06	1.3	23.5	
Px 308 ⁹⁾	SKiiP or modules	-	0.013	2	12.2	
P 1	Studs or modules	0.7	0.4	0.8	11.3	
P 3	Isolated base modules	0.45	0.14	0.7	17.6	
Natural cooled						
P 4 ⁹⁾	Stud device	0.27	-	4.1	20.6	

Footnotes: 9) Non standard item, available on request only, typical minimum batch quantities of 60 pieces will apply

Accessories / Fans

Type	V_{in} V	f Hz	$V_{air/t}$ m ³ /h	P_{max} W	T_{Amax} °C	Weight kg	Noise dB	Produkt Picture
Axial Fans								
SKF 3-230-01	230	50 / 60	150 / 174	15 / 14	70	0.55	37 / 41	
SKF RE-024-01	24	-	500	90	75	0.43	76	
SKF SR-024-01	24	-	56	3.6	70	0.085	43	
SKF 9-230-01	230	50 / 60	375 / 440	24 / 26	70	1	54 / 60	
SKF 8-230-01	230	50 / 60	325 / 380	45 / 39	50 / 70	1.1	49 / 53	
Centrifugal Fans								
SKF 17A-230-11	230	50 / 60	850 / 930	110 / 120	70	2	74	
SKF 17B-230-12	230	50 / 60	1175 / 1300	230	70	6.1	73 / 76	
Radial Fans								
SKF 16A-230-01	230	50 / 60	630 / 590	130 / 140	60 / 50	3.3	59	
SKF 16P-230-01	230	50 / 60	1125	165	60	3.9	-	
SKF 16B-230-01	230	50 / 60	640 / 580	167 / 191	70 / 50	3.75	58 / 57	
SKF 16A-230-11	230	50 / 60	630 / 590	130 / 140	60 / 50	3.3	59	

Accessories

Thermal Interface Materials

SEMIKRON was the first power module manufacturer on the market who offered power modules with pre-applied thermal interface material. With more than two decades of field experience and more than ten million pre-printed modules in the field, benchmarks are being set. The modules with pre-applied TIM are printed in a clean environment on an automated and SPC controlled silk screen and stencil printing line.

Based on different application requirements and different environmental conditions, SEMIKRON offers a broad range of thermal interface materials. Additionally to a standard silicone based and a silicon free thermal grease, a phase change material and the new high performance thermal paste with an improved thermal performance are available. SEMIKRON formulated a clear strategy that phase change materials will be applied on modules with baseplates only and thermal greases on modules without a baseplate.

Product	Page
Thermal interface materials	190

For detailed information please refer to data sheets.

Further information:
www.semikron.com/thermal-interface-materials

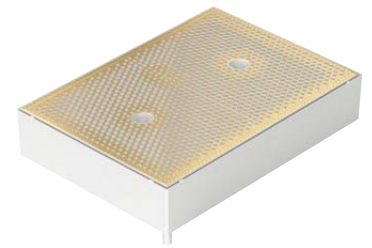
Thermal Interface Materials

Baseplate-less

High Performance Thermal Paste

Standard Grease silicone based

Standard Grease silicone free



e.g. MiniSKiiP

Baseplate

Phase Change Material



e.g. SEMiX Press-Fit

Accessories / Thermal Interface Materials

Type	Case	TiM material	Weight mg	Thickness (after assembly) µm	Thermal conductance W/m²K
High Performance Thermal Paste					
TP(HPTP)Mini1 ¹²⁾	1 II	High Performance Thermal Paste	-	-	2.5
TP(HPTP)Mini2II.Gen ²⁾	2 II	High Performance Thermal Paste	605	-	2.5
TP(HPTP)Mini3II.Gen ²⁾	3 II	High Performance Thermal Paste	695	-	2.5
TP(HPTP)Mini2GB ¹²⁾	2 II	High Performance Thermal Paste	-	-	2.5
TP(HPTP)Mini3GB ¹²⁾	3 II	High Performance Thermal Paste	-	-	2.5
TP(HPTP)Mini8AxB ²⁾	8 I	High Performance Thermal Paste	760	-	2.5
TP(HPTP)Mini8AC ²⁾	8 I	High Performance Thermal Paste	900	-	2.5
TP(HPTP)SEMITOP3 ¹²⁾	3	High Performance Thermal Paste	-	-	2.5
TP(HPTP)SEMITOP4 ¹²⁾	4	High Performance Thermal Paste	-	-	2.5
TP(HPTP)SKiM4 ¹²⁾	4	High Performance Thermal Paste	-	-	2.5
TP(HPTP)SKiM63 ²⁾	63	High Performance Thermal Paste	800	-	2.5
TP(HPTP)SKiM93 ²⁾	93	High Performance Thermal Paste	1015	-	2.5
Standard Grease silicone based					
TP(P12)Mini0	0 II	Wacker P12	-	33	0.8
TP(P12)Mini1II.Gen	1 II	Wacker P12	-	30	0.8
TP(P12)Mini2I.Gen	2 I	Wacker P12	-	50	0.8
TP(P12)Mini2II. Gen	2 II	Wacker P12	-	55	0.8
TP(P12)Mini3I.Gen	3 I	Wacker P12	-	45	0.8
TP(P12)Mini3II.Gen	3 II	Wacker P12	-	40	0.8
TP(P12)Mini2 GB	2 II	Wacker P12	-	35	0.8
TP(P12)Mini3 GB	3 II	Wacker P12	-	35	0.8
TP(P12)Mini8AC	8 I AC	Wacker P12	-	60	0.8
TP(P12)Mini8AxB	8 I AB	Wacker P12	-	60	0.8
TP(P12)SEMITOP2	2	Wacker P12	-	29	0.8
TP(P12)SEMITOP3	3	Wacker P12	-	47	0.8
TP(P12)SEMITOP4	4	Wacker P12	-	31	0.8
TP(P12)SKiM4	4	Wacker P12	-	44	0.8
TP(P12)SKiM63	63	Wacker P12	-	21	0.8
TP(P12)SKiM93	93	Wacker P12	-	21	0.8
Standard Grease silicone free					
TP(HTC)Mini2II.Gen	2 II	Electrolube HTC	-	75	0.9
TP(HTC)Mini3II.Gen	3 II	Electrolube HTC	-	60	0.9
TP(HTC)Mini2GB ¹³⁾	2 II	Electrolube HTC	-	-	0.9
TP(HTC)Mini3GB ¹³⁾	3 II	Electrolube HTC	-	-	0.9
TP(HTC)SEMITOP2 ¹³⁾	2	Electrolube HTC	-	-	0.9
TP(HTC)SEMITOP3 ¹³⁾	3	Electrolube HTC	-	-	0.9
TP(HTC)SEMITOP4 ¹³⁾	4	Electrolube HTC	-	-	0.9
TP(HTC)SKiM4 ¹³⁾	4	Electrolube HTC	-	-	0.9
TP(HTC)SKiM63 ¹³⁾	63	Electrolube HTC	-	-	0.9
TP(HTC)SKiM93 ¹³⁾	93	Electrolube HTC	-	-	0.9
Phase Change Material					
TP(HALA P8) SEMiX 1s ²⁾	1s	HALA TPC-Z-PC-P8	100	-	3.4
TP(HALA P8) SEMiX 13 ²⁾	13	HALA TPC-Z-PC-P8	170	-	3.4
TP(HALA P8) SEMiX 3s ²⁾	3s	HALA TPC-Z-PC-P8	160	-	3.4
TP(HALA P8) SEMiX 3p ²⁾	3p	HALA TPC-Z-PC-P8	250	-	3.4
TP(HALA P8) SEMiX 5p ²⁾	5p	HALA TPC-Z-PC-P8	270	-	3.4
TP(HALA P8) SEMITRANS 3 ¹²⁾	3	HALA TPC-Z-PC-P8	-	-	3.4
TP(HALA P8) SEMITRANS 10 ¹²⁾	5	HALA TPC-Z-PC-P8	-	-	3.4

Footnotes: 2) In production new / 12) coming soon / 13) available on request

Service & Contact



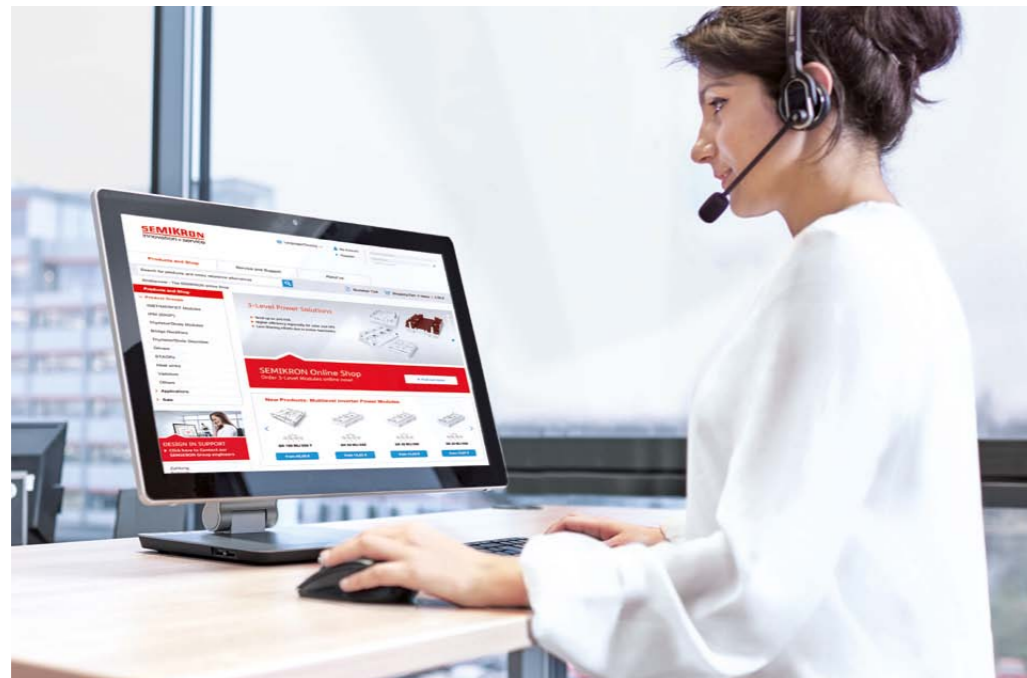
Services

SEMIKRON Online Shop	194
Product Sample Request	195
Technical Seminars	196
SemiSel Simulation	197
Applications	198
Technologies	199
Application Manual	200
Abbreviations	201

Contact

Africa	202
Asia	203
Australia & New Zealand	208
Europe	209
North America	213
South America	214

SEMIKRON Online Shop



Delivering expert support

Our specialty lies in the delivery of expert support to small and medium sized enterprises by offering them the following services:

Technical & sales support

- Reply within 24 hours
- Multilingual sales and support
- Design-in-support directly from manufacturers specialist

Worldwide shipping

- Fast shipping to more than 100 countries
- Low volume purchasing possible
- Shipping directly from manufacturers warehouse
- Over 600 most common SCRs, IGBT modules, bridge rectifiers and IPMs in stock

Transparency & efficiency

- Transparent price breaks online
- Up-to-date availability information
- Instant quotes using the online quotation tool

Cross reference search

- Find a fully compatible SEMIKRON device for any other brand:
shop.semikron.com/en/Cross-Reference-Search/



Visit us at
shop.semikron.com

Product Sample Request



Product sample service at a click

The development of prototypes is more precise and faster if power electronics modules are integrated during the design-in phase. As of now, you can request samples for electronic design online from SEMIKRON during this project phase and get easy access to our samples with no obligation. Depending on the design, application and the size of the project, we also offer this service free of charge.

Three steps to getting your SEMIKRON sample

- **Initial contact** Fill in the request form for ordering samples
- **Consultation** Response from SEMIKRON within 24 hours
- **Dispatch** SEMIKRON sends the sample without lengthy waiting periods

Further information:
www.semikron.com/sample-request

Technical Seminars



Technical seminars at SEMIKRON

SEMIKRON develops innovative power electronics products for space saving, energy efficient electronic systems. Our power modules are the heart of modern, energy efficient motor drives and industrial automation systems. Also in the areas of power supplies, the production of renewable energy and electric commercial vehicles our products set the way to reduce global energy consumption. Our success is based on the close cooperation and the technical dialogue of our application engineers and product managers with our customers.

This close partnership is also reflected in our practical range of technical seminars and roadmap workshops which cover all relevant topics of our product scope and application areas. We cordially invite you to our seminars and workshops.

Examples of topics of our technical seminars

- SiC chips and their application specific advantages
- Three level topology - circuits, protection concepts, application areas
- Reliability and service life of power modules
- Loss calculation, thermal resistance, module dimensioning
- IGBT driver circuits
- Parallel connection of power modules
- Simulation tool SEMISEL
- Typical problems in inverter design
- Motor drives - topologies, challenges, trends
- Solar inverters - topologies, challenges, trends
- UPS inverters - topologies, challenges, trends
- Wind inverters - topologies, challenges, trends
- Fault analysis of power semiconductors

Further information:
www.semikron.com/technical-seminars

SemiSel Simulation



Free support for your converter design

Applications

SemiSel is the SEMIKRON online calculation and simulation tool for losses, temperatures and optimal choice of power electronic components (www.semikron.com). The days when a module was purchased solely on the basis of its nominal current are over. Today, increased product diversity in the field of power semiconductors calls for comparisons beyond the information contained in data sheets. Only a comparison under application-oriented conditions, such as voltage level, switching frequency or cooling conditions, can demonstrate differences in the performance of the devices available. Miniaturisation combined with higher power densities makes it essential to get information about device losses and temperatures to specify requirements for a cooling system at an early state of product development.

Benefits

The risk arising from variations in both component and electrical circuit parameters should be considered in proper circuit design. These facts are only a few of the many points that need to be considered when developing a power electronics system. And this is where efficient support is provided by SemiSel to enable developers to make the right decision. SemiSel is still the most comprehensive free tool of its kind that can be used to investigate different power electronic circuits under different operating conditions.

This programme has been available online since 2001, and it has been continually improved and expanded since its introduction. It provides a good compromise of user-friendliness, applications and speed. The calculation functions range from product proposal for nominal operating conditions to drivers and heat sink specifications and product selections for specific overload conditions and complex calculations, such as complete load cycles that take into account temperature cycling problems.

Further information:
www.semikron.com/semisel

Applications



Motor Drives

Converters for all types of electric motors utilized in industry. SEMIKRON power semiconductors help to maximize efficiency in any 2 or 4-quadrant drive or servo.



Wind Energy

With power semiconductors in the converters or in the drives controlling blade pitch, nearly one in every two wind turbines in the world is fitted with SEMIKRON power modules.



Solar Energy

With focus on cost and efficiency in photo voltaic systems, SEMIKRON has products serving the complete spectrum from micro inverters and medium power multi string to Mega Watt central inverters.



Utility Vehicles

Power electronics forms the heart of any electric vehicle. SEMIKRON's solder-free semiconductor modules and systems are particularly well suited to the robust needs of today's vehicles.



Power Quality

PFC, AVC and UPS systems ensure a clean reliable mains supply is kept available to critical applications. SEMIKRON power modules are at the heart of critical power systems.



Power Supplies

In electro technology and medical diagnostics power semiconductors at the mains input facilitate and improve processes and save energy.



Urban Transport Equipment

Electrical transportation applications demand high reliability of the drive systems with their cyclic operating profile and the continuous auxiliary supplies over years of operation.

Technologies

SKiN[®] Technology

SKiN Technology is free of bond wires and does not use solder or thermal paste.

SKiNTER Technology

The SKiNTER Technology utilises a cold-welded silver layer instead of solder between DCB and chip. Hence, the module is solder-free.

SPRiNG Technology

The SPRiNG Technology utilises springs to establish the contacts to the PCB. It is the best choice for fastest assembly and when field reliability in harsh environments is critical.

SKiiP[®] Technology

SEMIKRON's SKiiP Technology utilises spring loaded mechanical and electrical contacts and features a compact and durable module construction.

PRESS-FIT Technology

Alternative concept to Solder Mounting of module and PCB. The solder free solution ensures easy and fast assembly to the PCB in a single step reducing assembly time.

SOLDER Technology

The proven interface for power modules. Solder pins are used in a broad range of applications worldwide offering a robust interface. Solder processes are widely used and easy to implement.

SCREW Technology

The standard interface to the power terminals for medium and high power modules. Easy to use and robust power interface to AC and DC terminals.

Application Manual



Available in German, English, Chinese and Japanese

Power Semiconductors

IGBT's and MOSFET's integrated in power modules are the key components of power electronic circuits today and are continuously finding their way into new fields of application. This goes hand in hand with the ever increasing call for line rectifier diodes and thyristors as a cost effective way of connecting the circuits to the power grid. The aim of the application manual is to provide users with support in selecting and using such devices.

The manual contains basic background knowledge on semiconductors in order to enable a better understanding of application possibilities and limits. More in-depth explanations are given on packaging and assembly technologies, because of the major influence they have on module properties and limitations in field applications. Statements on reliability data, life cycle analyses and key test processes round off the chapter. The Application Manual also explains the structure of datasheets and provides notes to help users better understand datasheet parameters.

The Application Manual contains detailed application-related information on electrical configuration under important operating conditions, driver and protection elements for semiconductors, thermal dimensioning and cooling, tips on parallel and series connection, assembly tips for optimized power layouts with regard to parasitic elements and the requirements arising from specific ambient conditions.

This book is written for users and provides help with component selection and design-in work. It couples a vast wealth of experience with detailed practical knowledge, the result being a vast pool of information which up till now has been spread across various individual articles or in the minds of experts only. The second revised edition is published in 2015.

Further information:
www.semikron.com/application-manual

„465 pages of
 acquired knowledge“

Abbreviations


Acronym	English	Acronym	English
E_{off}	Energy dissipation during turn-off	$R_{th(c-s)}$	Thermal resistance case to heat sink
E_{on}	Energy dissipation during turn-on	$R_{th(j-a)}$	Thermal resistance junction to ambient
E_{rr}	Energy dissipation during reverse recovery (diode)	$R_{th(j-c)}$	Thermal resistance junction to case
f	Operating frequency	$R_{th(j-s)}$	Thermal resistance junction to sink
f_{max}	Maximum frequency	$R_{th(s-a)}$	Thermal resistance heat sink to ambient
I_C	Continuous collector current	T_c	Case temperature
I_{Cnom}	Nominal collector current	T_j	Junction temperature
I_D	Direct output current (of a rectifier connection)	t_q	Circuit commutated turn-off time (thyristor)
I_D	Continuous drain current (MOSFET)	T_s	Heatsink temperature
I_F	Forward current (actual value)	V_{air}/t	Air flow
I_{FAV}	Mean forward current	V_{CE}	Collector-emitter voltage
I_{FSM}	Surge forward current	V_{CEsat}	Collector-emitter saturation voltage
I_{GT}	Minimum guaranteed gate trigger current	V_{DRM}	Repetitive peak off-state voltage
$I_{outPEAK}$	Output peak current (driver)	V_{DS}	Drain-source voltage
$I_{overload}$	Overload current for a specified time	V_F	Forward voltage
i_T	On-State current (instantaneous value)	$V_{G(off)}$	Turn-off gate voltage level (driver)
I_{TAV}	Mean on-state current	$V_{G(on)}$	Turn-on gate voltage level (driver)
I_{TSM}	Surge on-state current	V_{GT}	Gate trigger voltage
$Q_{out/pulse}$	Output charge per pulse (Driver)	V_{in}	Input voltage
Q_{rr}	Reverse recovery charge	$V_{isol(IO)}$	Isolation test voltage (r.m.s. /1 min.) input-output (driver)
$R_{DS(on)}$	Drain-source on-resistance (MOSFET)	V_{RRM}	Repetitive peak reverse voltage
r_T	On-state slope resistance, forward slope resistance (Thyristor)	V_T	On-state voltage (Thyristor)
		W	Weight

Note
 All data and information referred to in this data book are based on the best of our knowledge and state-of-the-art technology available at the time of printing and are intended to be used for information purposes only. Component specifications are not to be considered a guarantee of component characteristics. The use of SEMIKRON products in life-support appliances and systems is subject to prior specification and written approval by SEMIKRON. All product specifications and terms of delivery are subject to change. For updates of our datasheets as well as information on our latest products, please refer to www.semikron.com. Sales and delivery of SEMIKRON products are subject to our "General Terms and Conditions of Sale". Please refer to www.semikron.com for applicable power semiconductor standards. Reproduction permission may be granted on request on condition that the source is cited. Modifications to any and all data published by SEMIKRON are expressly prohibited. All product specifications and promotion statements apply to SEMIKRON International GmbH and all SEMIKRON companies within the SEMIKRON group.

Printed in Germany © by SEMIKRON International GmbH, 05/2014
 © Photos by SEMIKRON International GmbH, Tilman Weishart Photography; additional: Stockfotos from fotolia, istockfoto, shutterstock and getty images.

Contact Africa

SEMIKRON Online Shop Global Direct Sales

<i>Online Shop</i>	SEMIKRON Elektronik GmbH & Co. KG Sigmundstr. 200 90431 Nuremberg Germany	Phone : +49 911 6559 6663 Fax : +49 911 3091 9771 00 E-mail : sales@semikron.com shop.semikron.com	
--------------------	---	---	---

South Africa

<i>Distributor</i>	Semiconductor Solutions Pty. Ltd. Route 21, Corporate Park, Cnr Regency/Sovereign Sts 62 Irene, Centurion South Africa	Phone : +27 12 345 6060 Fax : +27 12 345 6070 E-mail sales : sales@semiconduct.co.za www.semiconduct.co.za
--------------------	--	---

Contact Asia

SEMIKRON Online Shop China Direct Sales

<i>Online Shop</i>	Zhuhai SindoPower Electronics Company Limited Unit 3, Ground Floor, 2#, Manufacturing Centre , No. 1 Software Road 519080 Zhuhai, Guangdong China	Phone : +86 756 3396 619 Fax : +86 756 3396 677 E-mail : sdpcn-info@sindopower.com www.sindopower.cn	
--------------------	--	---	---

China

<i>Main site</i>	SEMIKRON Electronics (Zhu Hai) Co. Ltd. Unit 1, Ground Floor, 2#, Unit 2,4,5,7, Ground Floor, 5# , Manufacturing Centre, No. 1 Software Road 519080 Zhuhai, Guangdong China	Phone : +86 756 3396 707 Fax : +86 756 3396 773 E-mail sales : sales.zhuhai@semikron.com E-mail jobs : jobs.skcn@semikron.com www.semikron.com
<i>Branch office</i>	SEMIKRON Shanghai Room 1603, East Building, Greenland Riverside International Center, No.596 Middle Longhua Road, Xuhui District 200032 Shanghai China	Phone : +86 215 4362 988 Fax : +86 215 4363 998 E-mail sales : sales.shanghai@semikron.com E-mail jobs : jobs.skcn@semikron.com www.semikron.com
<i>Branch office</i>	SEMIKRON Beijing Room 1603, Building A, Chengjian Plaza, No. 18 Beitapingzhuang Road, Haidian District 100088 Beijing China	Phone : +86 108 2255 398 Fax : +86 108 2255 836 E-mail sales : sales.beijing@semikron.com E-mail jobs : jobs.skcn@semikron.com www.semikron.com
<i>Branch office</i>	SEMIKRON Shenzhen Room 13C, Golden Century, No. 6033 ShenNan Road, Futian District 518040 Shenzhen China	Phone : +86 755 8256 2866 Fax : +86 755 8345 8937 E-mail sales : sales.shenzhen@semikron.com E-mail jobs : jobs.skcn@semikron.com www.semikron.com
<i>Distributor</i>	HK China Group Limited (East) News Road, Futian District, East Wing, 1 Electric Razor Information Building, 1717-1721, Room 1717, East Block 510800 Shenzhen China	Phone : + 86 755 8373 3223 Fax : +86 755 8373 3798 E-mail : hongkongchina_sz@163.com
<i>Distributor</i>	Semcor (Qingdao) Electronic Co., Ltd. No. 192 Zhuzhou Rd., Hi-Tech Park Qingdao China	Phone : +86 532 8870 1773 Fax : +86 532 8870 1478 E-mail : luying.zhang@semcor.com.cn
<i>Distributor</i>	Weltronics Component Rua De Pequil No. 244-246, Edificio Macau Finance Centre 10 Andar F, Macau China	Phone : +853 2485 4306
<i>Distributor</i>	Weltronics Component Limited Rm 611-622, 6/F., Chang Ping Commercial Bldg., 99 Hong Hua Road, Futian Free Trade Zone 518038 Shenzhen China	Phone : +86 755 8348 0330 Fax : +86 755 8348 0105 E-mail : sh-purchasing@weltronics.com

Contact Asia

SEMIKRON Online Shop Global Direct Sales

Online Shop **SEMIKRON Elektronik GmbH & Co. KG**
Sigmundstr. 200
90431 Nuremberg
Germany

Phone : +49 911 6559 6663
Fax : +49 911 3091 9771 00
E-mail : sales@semikron.com
shop.semikron.com



Hong Kong SAR of China

Main site **SEMIKRON (HONG KONG) CO. Ltd.**
Unit 403A, 4th Floor, Golden Centre,
188 Des Voeux Road Central
Hong Kong SAR of China

Phone : +852 3426 3366
Fax : +852 3426 3399
E-mail sales : sales.skhk@semikron.com
E-mail jobs : jobs.skcn@semikron.com
www.semikron.com

Distributor **Crypson Electronics (HK) Co. Ltd**
11/F, Wang Cheong Enterprises, Centre,
69 Chai Wan Kok St
Tsuen Wan
Hong Kong SAR of China

Phone : 010 65189830 205
Fax : 010 656447 1582

Distributor **FREEMAN Industrial Supplies Co.**
Flat C,10/F, China Fen Hin, Building,
5 Cheung Yue Street
Cheung Sha Wan, Kowloon
Hong Kong SAR of China

Phone : +852 2365 3231
Fax : +852 2365 0476
E-mail : may_mhwong@yahoo.com.hk

Distributor **Richardson RFPD Hong Kong Limited**
20th Floor, Tower 2, 88 Container Port Road,
Ever Gain Plaza, Kwai Chung
Kwai Tsing
Hong Kong SAR of China

Phone : + 86 755 8294 3736

Contact Asia

SEMIKRON Online Shop Global Direct Sales

Online Shop **SEMIKRON Elektronik GmbH & Co. KG**
Sigmundstr. 200
90431 Nuremberg
Germany

Phone : +49 911 6559 6663
Fax : +49 911 3091 9771 00
E-mail : sales@semikron.com
shop.semikron.com



India

Main site **SEMIKRON Electronics Private Limited**
EL 87, TTC Industrial Area, Electronic Zone, Mahape
400701 Navi Mumbai
India

Phone : +91 22 2762 86 00
Fax : +91 22 27 6168 17
E-mail sales : sales.skind@semikron.com
E-mail jobs : jobs.skind@semikron.com
www.semikron.com

Distributor **Airmaster Rectifiers Pvt. Ltd.**
G78, Triveni Commercial Complex,
Sheikh Sarai Phase - 1
110017 New Delhi
India

Phone : +91 11 4131 5934
Fax : + 49 11 2386 1508
E-mail : office@airmasterindia.com
E-mail alternative ajaykanwar@airmasterindia.com

Distributor **Ghosh & Co.**
171/C, Lenin Sarani
700013 Kolkata
India

Phone : +91 33 2212 8727
Fax : +91 33 2212 8727
E-mail : debasis_ghosh@vsnl.net

Distributor **INNOVA ENTERPRISES**
Sr No-81, Plot No-3/2,
Nda Khadakwasla Road, Shivane
411023 Pune
India

Phone : +91 20 2529 0077
Phone alternative : +91 20 2529 1177
Fax : +91 20 2529 2188
E-mail : sales_innova@vsnl.net

Distributor **Premier Controls**
122, 1st Floor, Valluvar Kottam High Rd
600034 Chennai
India

Phone : +91 44 2825 8882
Fax : +91 44 2827 4307
E-mail : premiercontrols@hotmail.com

Distributor **Rectifier House (India) Pvt. Limited**
101, 1st Floor, Munani Trade Centre,
near Model CO-OP Bank, Waliv Phata
401208 Mumbai
India

Phone : +91 99 3059 6249
Fax : +91 22 2386 1262
E-mail : info@rectifier.in

Distributor **S.V. ELECTRONICS**
135, 1st Floor, Archana Arcade,
Behind Hotel Ramakrishna
500025 Secunderabad
India

Phone : +91 40 2782 1970
Phone alternative : +91 40 2782 1971
Fax : +91 40 2782 3696
E-mail : anil@svelectro.in

Distributor **V V ELECTROTECH**
113, Saffron Complex, Fatehgunj Circle, Fatehgunj
390002 Vadodara
India

Phone : +91 265 2786781
Phone alternative : +91 265 2788438
Fax : +91 265 2788438
E-mail : sales@vvelectrotech.com

Contact Asia

SEMIKRON Online Shop Global Direct Sales

Online Shop **SEMIKRON Elektronik GmbH & Co. KG**
Sigmundstr. 200
90431 Nuremberg
Germany

Phone : +49 911 6559 6663
Fax : +49 911 3091 9771 00
E-mail : sales@semikron.com
shop.semikron.com



Japan

Main site **SEMIKRON K. K.**
Sarugakucho Kikuhide Bldg. 4F,
2-8-4 Sarugakucho, Chiyodaku
101-0064 Tokyo
Japan

Phone : +81 3 6895 1396
Fax : +81 3 6895 5078
E-mail sales : sales.skj@semikron.com
E-mail jobs : jobs.skj@semikron.com
www.semikron.com

Main site **SEMIKRON Osaka branch office**
Daitaku17 bldg 6F, 4-13-22 Nishi-Nakajima,
Yodogawa-ku
532-0011 Osaka
Japan

Phone : +81 6 6305 3299
Fax : +81 6 6305 3560
www.semikron.com

Distributor **NADEX CO., LTD.**
9-27 Furuwatari-cho, Naka-ku, Nagoya City, Aichi
460-8338 Nagoya
Japan

Phone : +81 5 2322 3511
Fax : +81 5 2332 4324

Distributor **TOKYO ELECTRON DEVICE LIMITED**
Yokohama East Square 1-4, Kinko-cho,
Kanagawa-ku, Yokohama City, Kanagawa
221-0056 Yokohama
Japan

Phone : +81 4 5443 4000
Fax : +81 4 5443 4050

Distributor **EICH Corporation**
5F, KDX Nishi Shinjuku Bldg., 7-22-45, Nishi Shinjuku,
Shinjuku-ku
160-0023 Tokyo
Japan

Phone : +81 3 5348 7716
Fax : +81 3 5348 4145

Distributor **KTL Corporation**
6F, Shimbashi i-Mark Building, 2-6-2, Shimbashi,
Minato-ku
105-0004 Tokyo
Japan

Phone : +81 3 5521 2060
Fax : +81 3 5521 2157

Distributor **Kenden Corporation**
Mita 43MT Building, 3-13-16 Mita, Minato-ku
108-0073 Tokyo
Japan

Phone : +81 3 3769 5311
Fax : +81 3 3769 5333

Contact Asia

SEMIKRON Online Shop Global Direct Sales

Online Shop **SEMIKRON Elektronik GmbH & Co. KG**
Sigmundstr. 200
90431 Nuremberg
Germany

Phone : +49 911 6559 6663
Fax : +49 911 3091 9771 00
E-mail : sales@semikron.com
shop.semikron.com



South Korea

Main site **SEMIKRON Co. Ltd.**
9, Sosam-ro36beon-gil, Sosa-gu Bucheon-si
422-233 Gyeonggi-do
South Korea

Phone : +82 323 462 830
Fax : +82 323 462 834
E-mail sales : Sales.skkor@semikron.com
E-mail jobs : jobs.skkor@semikron.com
www.semikron.com

Distributor **RAON Device**
5072, Poong Lim Plaza, Si-Heung City
Gyeonggi-do
South Korea

Phone : +82 505 306 3079
Fax : +82 505 309 3079
E-mail : Justin.Song@Raon-Device.com

Taiwan

Main site **SEMIKRON (HONG KONG) CO. Ltd.**
Taiwan Representative Office 8F,
No. 32 Guang-zhou Street, Wanhua Dist.
108 Taipei City
Taiwan

Phone : +886 930 347 711
Fax : +886 282 820 403
E-mail : DavidTJ.Lee@semikron.com
www.semikron.com

Contact Australia & New Zealand

SEMIKRON Online Shop Global Direct Sales

<i>Online Shop</i>	SEMIKRON Elektronik GmbH & Co. KG Sigmundstr. 200 90431 Nuremberg Germany	Phone : +49 911 6559 6663 Fax : +49 911 3091 9771 00 E-mail : sales@semikron.com shop.semikron.com	
--------------------	---	---	---

Australia & New Zealand

<i>Main site</i>	SEMIKRON Pty. Ltd. 8/8 Garden Road Clayton VIC 3168 Melbourne Australia	Phone : +61 385 615 600 Fax : +61 395 618 769 E-mail sales : sales.skaus@semikron.com E-mail jobs : jobs.skaus@semikron.com www.semikron.com
------------------	---	--

Contact Europe

SEMIKRON Online Shop Global Direct Sales

<i>Online Shop</i>	SEMIKRON Elektronik GmbH & Co. KG Sigmundstr. 200 90431 Nuremberg Germany	Phone : +49 911 6559 6663 Fax : +49 911 3091 9771 00 E-mail : sales@semikron.com shop.semikron.com	
--------------------	---	---	---

Austria

<i>Main site</i>	SEMIKRON GmbH Hirschstettner Strasse 19-21 (Stg.I/EG-OE1) 1220 Wien Austria	Phone : +43 158 6365 80 Fax : +43 158 6365 832 E-mail sales : sales.ska@semikron.com E-mail jobs : jobs.ska@semikron.com www.semikron.com
------------------	---	---

Belgium

<i>Main site</i>	<i>Flemish-speaking</i> SEMIKRON Linie 502 7325 DZ Apeldoorn Netherlands	Phone : +31 555 295 295 Fax : +31 555 295 290 E-mail sales : sales.sknl@semikron.com E-mail jobs : jobs.sknl@semikron.com www.semikron.com
------------------	---	--

<i>Main site</i>	<i>French-speaking</i> SEMIKRON S.A.R.L 130 route de Cormeilles, BP 70 78501 Sartrouville Cedex France	Phone : +33 130 868 000 Fax : +33 139 151 083 E-mail sales : sales.skf@semikron.com E-mail jobs : jobs.skf@semikron.com www.semikron.com
------------------	---	--

Czech Republic

<i>Main site</i>	SEMIKRON s.r.o. Teslova 3 30100 Plzen Czech Republic	Phone : +420 378 051 400 Fax : +420 378 051 401 E-mail sales : sales.skcz@semikron.com www.semikron.com
<i>Distributor</i>	Semic Trade, s.r.o. Volutová 2521/18, Praha 5 158 00 Prague Czech Republic	Phone : +420 251 551 204 E-mail : semic@semic.cz

Denmark

<i>Main site</i>	SEMIKRON AB Östra Köpmansgatan 18 44430 Stenungsund Sweden	Phone : +46 303 816 16 Fax : +46 303 816 31 E-mail sales : sales.sks@semikron.com E-mail jobs : jobs.skfs@semikron.com www.semikron.com
------------------	--	---

Finland


<i>Main site</i>	SEMIKRON OY Tuupakantie 3 01740 Vantaa Finland	Phone : +358 103 217 950 Fax : +358 9870 1308 E-mail sales : sales.skfin@semikron.com E-mail jobs : jobs.skfs@semikron.com www.semikron.com
------------------	--	---

France

<i>Main site</i>	SEMIKRON S.A.R.L 130 route de Cormeilles, BP 70 78501 Sartrouville Cedex France	Phone : +33 130 868 000 Fax : +33 139 151 083 E-mail sales : sales.skf@semikron.com E-mail jobs : jobs.skf@semikron.com www.semikron.com
------------------	---	--

Contact Europe

SEMIKRON Online Shop Global Direct Sales

Online Shop	SEMIKRON Elektronik GmbH & Co. KG Sigmundstr. 200 90431 Nuremberg Germany	Phone : +49 911 6559 6663 Fax : +49 911 3091 9771 00 E-mail : sales@semikron.com shop.semikron.com	
-------------	---	---	---

Germany

Main site	SEMIKRON Elektronik GmbH & Co. KG / SEMIKRON INTERNATIONAL GmbH Sigmundstr. 200 90431 Nuremberg Germany	Phone : +49 911 6559 0 Phone sales : +49 911 6559 6663 Phone purchase : +49 911 6559 6767 Phone jobs : +49 911 6559 460 Fax : +49 911 6559 262 E-mail sales : sales@semikron.com E-mail jobs : jobangebote@semikron.com www.semikron.com
-----------	---	---

Technical Offices	SEMIKRON, Technisches Büro Südwest, Karlsruhe Dipl.-Ing. (FH) Thomas Birnbreier Guntherstr. 1 76297 Stutensee Germany	Phone : +49 724 4720 819 Phone alternative : +49 160 8830 497 Fax : +49 724 4720 824 E-mail : thomas.birnbreier@semikron.com www.semikron.com
-------------------	--	---

Technical Offices	SEMIKRON, Technisches Büro Solutions Solar, Mannheim Dipl.-Ing. Walter Schmidt Carl-Orff-Str. 9 69488 Birkenau-Herrenwiese Germany	Phone : +49 620 1393 090 Phone alternative : +49 171 3000 289 Fax : +49 911 6559 775 97 E-mail : walter.schmidt@semikron.com www.semikron.com
-------------------	---	---

Technical Offices	SEMIKRON, Technisches Büro Süd, Schnaittenbach Dipl.-Ing. (FH) Manfred Schlosser Bachwiesen 10 92253 Schnaittenbach Germany	Phone : +49 962 2704 980 Phone alternative : +49 160 5372 270 Fax : +49 962 2704 979 E-mail : manfred.schlosser@semikron.com www.semikron.com
-------------------	--	---

Technical Offices	SEMIKRON, Technisches Büro Vertrieb leistungselekt. Systeme Dipl.-Ing. Reinhard Stark Klobenmuehle 2 91456 Diespeck Germany	Phone : +49 916 1873 750 Phone alternative : +49 171 7680 654 Fax : +49 916 1873 751 E-mail : reinhard.stark@semikron.com www.semikron.com
-------------------	--	--

Technical Offices	SEMIKRON, Technisches Büro West-Mitte, Wiesbaden Jörg Jung Schönbornstr. 4 65439 Flörsheim Germany	Phone : +49 614 5540 708 Phone alternative : +49 160 8986 557 Fax : +49 911 6559 775 61 E-mail : joerg.jung@semikron.com www.semikron.com
-------------------	---	---

Technical Offices	SEMIKRON, Technisches Büro Business Development Solutions Dipl.-Ing. Udo Heinrich Postfach 1155 65219 Taunusstein Germany	Phone : +49 612 8748 4800 Phone alternative : +49 170 7050 239 Fax : +49 911 6559 775 01 E-mail : udo.heinrich@semikron.com www.semikron.com
-------------------	--	--

Distributor	Arrow Central Europe GmbH Frankfurter Straße 211 63263 Neu-Isenburg Germany	Phone : +49 6102 5030 0 Fax : +49 6102 5030 8455
-------------	---	---

Italy

Main site	SEMIKRON S.r.l. via Laurentina km 24,200 40 Pomezia Italy	Phone : +39 069 114 241 Fax : +39 069 1142 4711 E-mail sales : sales.ski@semikron.com E-mail jobs : jobs.ski@semikron.com www.semikron.com
-----------	---	--

Main site	SEMIKRON S.r.l. Via Mecenate 76/22 20138 Milano Italy	Phone : +39 0250 1130 Fax : +39 0691 1424 711 E-mail sales : SKI-Sales-Milano@semikron.com E-mail jobs : jobs.ski@semikron.com www.semikron.com
-----------	---	---

Distributor	Bongiorno Srl Via Galvani 9 35030 Rubano PD Italy	Phone : +39 049 8974236 Phone alternative : +39 049 8974588 Fax : +39 049 8974240 E-mail : info@bongiornocomponenti.it
-------------	---	---

Distributor	TOTEM ELECTRO SRL Viale Lombardia 66 20131 Milano Italy	Phone : +39 02 2885111 Fax : +39 02 28851150 E-mail : totem@totemelectro.com
-------------	---	--

Netherlands

Main site	SEMIKRON B.V. Linie 502 7325 DZ Apeldoorn Netherlands	Phone : +31 555 295 295 Fax : +31 555 295 290 E-mail sales : sales.sknl@semikron.com E-mail jobs : jobs.sknl@semikron.com www.semikron.com
-----------	---	--

Poland

Main site	SEMIKRON Sp. z o.o. ul. Pozaryskiego 28 04-703 Warszawa Poland	Phone : +48 226 157 984 Fax : +48 226 133 887 E-mail sales : sales.skpl@semikron.com E-mail jobs : jobs.skpl@semikron.com www.semikron.com
-----------	--	--

Russia

Main site	Semikron Ltd. Gabrichevskogo Str. 5; Building 1 125367 Moscow Russia	Phone : +7 812 2329 825 Fax : +7 812 2329 825 E-mail : info@semikron.spb.ru E-mail jobs : jobs.skru@semikron.com www.semikron.com
-----------	--	---

Technical Office	SEMIKRON Ltd. B. Pushkarskaya 41 197101 Sankt Petersburg Russia	Phone : +7 812 2329 825 Fax : +7 812 2329 825 E-mail : info@semikron.spb.ru E-mail jobs : jobs.skru@semikron.com www.semikron.com
------------------	---	---

Distributor	COMPEL JSC 1/2 Derbenevskaya Str., Bldg. 1 115114 Moscow Russia	Phone : +7 495 234 7762 Fax : +7 495 234 7763
-------------	---	--

Distributor	Corporation IP Ltd. 131, Plakhotnogo Str. 630136 Novosibirsk Russia	Phone : +7 383 217 4435 Fax : +7 383 249 3439
-------------	---	--

Distributor	New Technologies Co., Ltd 20, Karl Marx Avenue, NSTU 630073 Novosibirsk Russia	Phone : +7 383 315 3177 Fax : +7 383 346 4844 E-mail : semikron@ntcom.ru www.ntcom.ru
-------------	--	--

Serbia

Distributor	VREMEPLOV d.o.o. Vidikovacki Venac 104g, Lokal 75 11137 Beograd Serbia	Phone : +381 11 265 3685 Fax : +381 11 265 3618 E-mail : zoran@vremeplov.co.yu
-------------	--	--

Slovakia

Main site	SEMIKRON s.r.o. Steruská ul. 3 92203 Vrbové Slovakia	Phone : +420 378 051 400 Fax : +420 378 051 401 E-mail sales : sales.sksk@semikron.com E-mail jobs : jobs.sksk@semikron.com www.semikron.com
-----------	--	--

Contact Europe

SEMIKRON Online Shop Global Direct Sales

Online Shop	SEMIKRON Elektronik GmbH & Co. KG Sigmundstr. 200 90431 Nuremberg Germany	Phone : +49 911 6559 6663 Fax : +49 911 3091 9771 00 E-mail : sales@semikron.com shop.semikron.com	
-------------	---	---	---

Slovenia

Distributor	ALMA Electronic d.o.o. Leskoskova Cesta 6 1000 Ljubljana Slovenia	Phone : +386 1 256 1381 Fax : +386 12 256 3870 E-mail : alma.electronic@siol.net	
-------------	---	--	--

Spain

Main site	SEMIKRON ELECTRONICS S.L. C/ de la Ciencia, 35, Nave 3 8850 Gavá Spain	Phone : +34 936 335 890 Fax : +34 936 333 065 E-mail sales : sales.ske@semikron.com E-mail jobs : jobs.ske@semikron.com www.semikron.com	
-----------	--	--	--

Sweden

	SEMIKRON AB Östra Köpmansgatan 18 44430 Stenungsund Sweden	Phone : +46 303 816 16 Fax : +46 303 816 31 E-mail sales : sales.sks@semikron.com E-mail jobs : jobs.sksf@semikron.com www.semikron.com	
--	--	---	--

Switzerland

Main site	SEMIKRON AG Industriestrasse 19 8304 Wallisellen Switzerland	Phone : +41 449 141 333 Fax : +41 449 141 330 E-mail sales : sales.skch@semikron.com E-mail jobs : sales.skch@semikron.com www.semikron.com	
-----------	--	---	--

Turkey

Main site	SEMIKRON Esentepe Mah. Milangaz cad. no.77, Dumankaya Vizyon Rezidans, A1-Blok Daire 46 34870 Kartal/Istanbul Turkey	Phone : +90 216 5115 046 Phone alternative : +90 532 5088 500 Fax : +90 216 5115 846 E-mail : halim.ozmen@semikron.com www.semikron.com	
-----------	---	---	--

Distributor	ELSE ELEKTRİK MAKİNA SANAYİ VE TİCARET A.Ş. Cihangir Mah. Kargacı Sok. No:5, Avcılar TR-34310 Istanbul Turkey	Phone : +90 212 4226670 Fax : +90 212 4226679 E-mail : aysekocak@else.com.tr	
-------------	---	--	--

Ukraine

Distributor	TECHNOSERVICES LTD. Zheludewstr. 1D, OF.8 252148 Kiev Ukraine	Phone : +380 44 454 2462 Phone alternative : +380 44 458 4766 E-mail : tsdrive@ukr.net	
-------------	---	--	--


United Kingdom

Main site	SEMIKRON Ltd. 9 Harforde Court, John Tate Road, Foxholes Business Park SG13 7NW Hertford United Kingdom	Phone : +44 199 2584 677 Fax : +44 199 2503 837 E-mail sales : sales.skuk@semikron.com E-mail jobs : jobs.skuk@semikron.com www.semikron.com	
-----------	--	--	--

Distributor	RS Components Ltd. Weldon Industrial Estate, Birchington Road NN17 9RS Corby United Kingdom	Phone : +44 153 6201 201	
-------------	---	--------------------------	--

Contact North America

SEMIKRON Online Shop Global Direct Sales

Online Shop	SEMIKRON Elektronik GmbH & Co. KG Sigmundstr. 200 90431 Nuremberg Germany	Phone : +49 911 6559 6663 Fax : +49 911 3091 9771 00 E-mail : sales@semikron.com shop.semikron.com	
-------------	---	---	---

Mexico

Main site	SEMIKRON DE MEXICO S.A. de C.V. Ave Morelos No. 28, Col. Parque Industrial Naucalpan de Juárez C.P. 53470 Estado de México Mexico	Phone : +52 555 3001 151 Phone alternative : +52 555 3007 922 Fax : +52 555 3000 364 E-mail sales : sales.skmex@semikron.com www.semikron.com	
-----------	--	---	--

United States

Main site	SEMIKRON Inc. 11 Executive Drive NH 03051 Hudson United States	Phone : +1 603 8838 102 Fax : +1 603 8838 021 E-mail sales : sales.skusa@semikron.com E-mail jobs : jobs.skusa@semikron.com www.semikron.com	
-----------	--	--	--

Technical Offices	North (MA, CT, NH, VT, RI, ME, Eastern NY, Eastern Canada) SEMIKRON, Regional Sales Office Tom Rantala United States	Phone : +1 603 9307 834 Fax : +1 603 8838 021 E-mail : tom.rantala@semikron.com www.semikron.com	
-------------------	---	---	--

Technical Offices	West (UT, WY, ID, MT, WA, OR, CA, NV, AZ, Canada: BC, AB, SK, MB) SEMIKRON, Regional Sales Office Kevin Monohan United States	Phone : +1 425 7375 060 Fax : +1 603 8838 021 E-mail : kevin.monohan@semikron.com www.semikron.com	
-------------------	--	---	--

Technical Offices	North East (PA, NJ, MD, DE, WV, VA, West NY, Toronto, Long Island NY) SEMIKRON, Regional Sales Office Paul Moore United States	Phone : +1 267 8648 451 Fax : +1 603 8838 021 E-mail : paul.moore@semikron.com www.semikron.com	
-------------------	---	--	--

Technical Offices	South Central (TX, OK, AR, LA, KS, CO, NM) SEMIKRON, Regional Sales Office Emiliano Meza United States	Phone : +1 940 231 3491 Phone alternative : +1 603 883 1533 Fax : +1 603 8838 021 E-mail : emiliano.meza@semikron.com www.semikron.com	
-------------------	--	--	--

Technical Offices	South East and East Central (NC, SC, GA, TN, AL, MS, FL, OH, IN, KY) SEMIKRON, Regional Sales Office Bruce Dickinson United States	Phone : +1 336 7074 138 Fax : +1 603 8838 021 E-mail : bruce.dickinson@semikron.com www.semikron.com	
-------------------	---	---	--

Distributor	Richardson RFPD 1950 S. Batavia Avenue, Suite 100 60134 Geneva United States	Phone : +1 630 208 2437 E-mail : kjohnson@rell.com	
-------------	--	---	--

Contact South America

	Argentina	
Online Shop	Global Direct Sales SEMIKRON Elektronik GmbH & Co. KG Sigmundstr. 200 90431 Nuremberg Germany	Phone : +49 911 6559 6663 Fax : +49 911 3091 9771 00 E-mail : sales@semikron.com shop.semikron.com
	Brazil	
Main site	SEMIKRON Semicondutores Ltda. Av. Inocência Seráfico, 6300 06366-900 Carapicuiaba - Sao Paulo Brazil	Phone : +55 11 4186 9500 Fax : +55 11 4186 3567 E-mail sales : SKBR-Sales@semikron.com E-mail jobs : jobs.skbr@semikron.com www.semikron.com
Online Shop	Brazilian Direct Sales SEMIKRON Semicondutores Ltda. Av. Inocência Seráfico, 6300 06366-900 Carapicuiaba - Sao Paulo Brazil	Phone : +55 11 4186 9500 Fax : +55 11 4186 3567 E-mail : sdpr-info@sindopower.com E-mail jobs : jobs.skbr@semikron.com www.sindopower.com.br
	Chile	
Online Shop	Global Direct Sales SEMIKRON Elektronik GmbH & Co. KG Sigmundstr. 200 90431 Nuremberg Germany	Phone : +49 911 6559 6663 Fax : +49 911 3091 9771 00 E-mail : sales@semikron.com shop.semikron.com
	Colombia	
Online Shop	Global Direct Sales SEMIKRON Elektronik GmbH & Co. KG Sigmundstr. 200 90431 Nuremberg Germany	Phone : +49 911 6559 6663 Fax : +49 911 3091 9771 00 E-mail : sales@semikron.com shop.semikron.com
	Ecuador	
Online Shop	Global Direct Sales SEMIKRON Elektronik GmbH & Co. KG Sigmundstr. 200 90431 Nuremberg Germany	Phone : +49 911 6559 6663 Fax : +49 911 3091 9771 00 E-mail : sales@semikron.com shop.semikron.com
	Peru	
Online Shop	Global Direct Sales SEMIKRON Elektronik GmbH & Co. KG Sigmundstr. 200 90431 Nuremberg Germany	Phone : +49 911 6559 6663 Fax : +49 911 3091 9771 00 E-mail : sales@semikron.com shop.semikron.com
	Uruguay	
Online Shop	Global Direct Sales SEMIKRON Elektronik GmbH & Co. KG Sigmundstr. 200 90431 Nuremberg Germany	Phone : +49 911 6559 6663 Fax : +49 911 3091 9771 00 E-mail : sales@semikron.com shop.semikron.com
	Venezuela	
Online Shop	Global Direct Sales SEMIKRON Elektronik GmbH & Co. KG Sigmundstr. 200 90431 Nuremberg Germany	Phone : +49 911 6559 6663 Fax : +49 911 3091 9771 00 E-mail : sales@semikron.com shop.semikron.com


Service is our
Supporting your business
in using our products. Heritage


Quality is our
Exceeding expectations
is our tradition. Commitment



We are close to our customers

www.semikron.com/contact

 shop.semikron.com

 www.youtube.com/c/semikron

 de.linkedin.com/company/semikron

Note: All information is based on our present knowledge and is to be used for information purposes only. The specifications of our components may not be considered as an assurance of component characteristics.

SEMIKRON INTERNATIONAL GmbH

Sigmundstrasse 200
90431 Nuremberg, Germany
Tel: +49 911 6559 6663
Fax: +49 911 6559 262
sales@semikron.com


www.semikron.com
shop.semikron.com



Interactive Surfaces for Document Navigation

1. Lines
2. Classes
3. Chapter marks
4. Content
5. Turn the page

Link to the SEMIKRON Homepage

6. Web-addresses
7. Online-shop icon 

MiniSKiip®

Low cost assembly, high production run rate, high yield
Small and compact inverter design
High reliability and long product life time




Motor Drives
 Solar Energy
 Power Quality
 Power Supplies

Fast, cost efficient and reliable one screw mounting

Benefits
An important mechanical feature of MiniSKiip modules is the outstanding easy assembly and service friendly spring-contact for load and gate terminals. Compared to conventionally soldered modules, where expensive soldering equipment is required for time-consuming solder processes, no special tools are needed for MiniSKiip assembly. Instead, a single screw connection is used. The printed circuit board (PCB), the power module and the heat sink are assembled in one mounting step. This connection technology features a number of additional advantages: the PCB can be more flexible in design, as the power circuit board does not need to include holes for solder pins. The springs provide a flexible connection between the PCB and the power circuitry which is far superior to a soldered joint, particularly under thermal or mechanical stress conditions which can affect lifetime. Thanks to the high mechanical pressure provided by the springs, an air-tight, reliable electrical connection is achieved.

Applications
With almost 2 decades of field experience and more than 30 million modules in the field, this module platform has proven successful in all standard applications. Key applications include all kinds of inverters, such as standard drives, stand-alone drives, servo drives, system drives, solar inverters, UPS systems and welding machines. Due to the high reliability of spring contacts, applications such as agricultural vehicles or pitch meters of windmills benefit from the MiniSKiip technology as well.

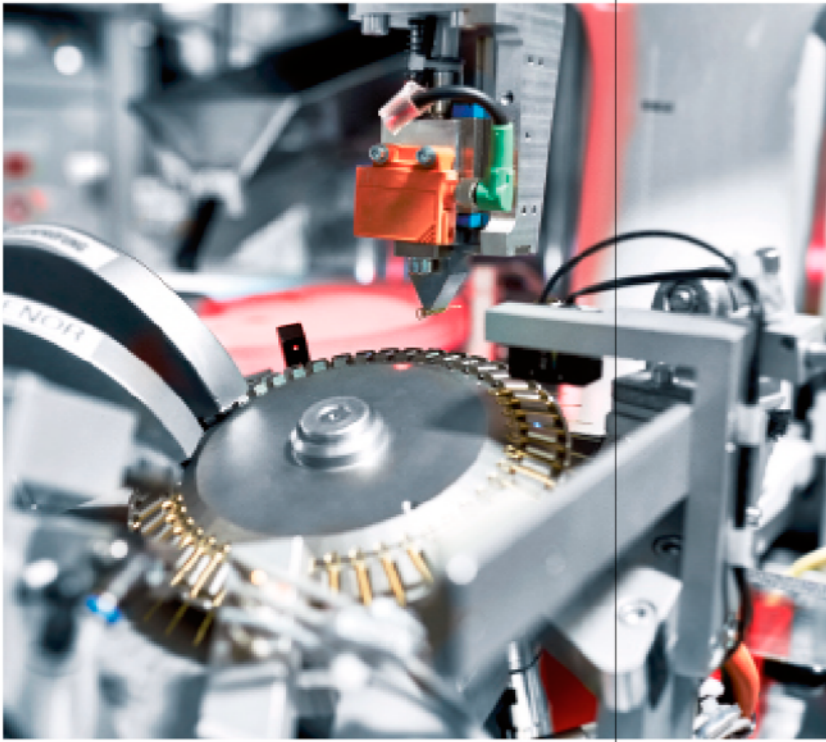
Product range
MiniSKiip modules are designed for 600V/650V, 1200V and 1700V with 4A - 400A nominal chip current, and feature Trench IGBT technology in combination with the SEMIKRON CAL diodes. 1200V trench IGBTs and CAL 4 diodes are designed for maximum junction temperatures of 175°C. In addition to CBB, 6-pack, twin 6-pack, H-bridge, half bridge, 3-level and unarmoured half-controlled rectifiers plus brake chopper, customer-specific modules are also available. For fast evaluation, lab test boards can be ordered for each module type.

Key features

- Solder-free SPRING Technology for fast and easy assembly
- Without copper baseplate for cost efficient concept
- Easy and flexible PCB routing without pin holes
- Current range 4A to 400A for inverter range up to 90kW with one product platform
- Comprehensive setup of topologies: CBB, 6-pack, twin 6-pack, H-bridge, half bridge, 3-level, bridge rectifiers with brake chopper

Further information: www.semikron.com/miniskip

Content



Product Lines	
Overview Product Lines	13
Product Classes	
01 IGBT Modules	18
02 Silicon Carbide Modules, Full DC, hybrid DC	84
03 MOSFET Modules	96
04 Thyristor / diode Modules	102
05 Bridge rectifier Modules	116
06 Intelligent Power Module - IPM	132
07 IGBT Driver	154
08 Stacks	160
09 Systems	160
10 Discretes, Chips, Discrete diodes, Discrete thyristors	168
11 Accessories, motors, Fans, Thermal Paste	182
Service & Contact	
SEMIKRON Online Shop	194
Product Sample Request	195
Technical Seminars	196
Semtool Simulation	197
Applications	198
Technologies	199
Application Manual	200
Abbreviations	201
Worldwide Contact	202

Discretes

Discrete diodes - SEMIKRON offers discrete diodes in three major packaging styles: stud epoxy diodes for PCB mounting, stud screw fit diodes that are convenient for applications like welding and rotating rectifiers in brushless generators due to their robustness and simple mounting, besides the capsule (disc) diodes for high power applications. The line offers standard rectifiers with current ratings up to 6000A, fast rectifiers up to 140A, and avalanche rectifiers that allow high voltage rectification up to 5000V with single diodes and much more when connected in series. Typical applications: all-purpose rectifiers, battery chargers, welding equipment, rotating rectifiers for brushless generators, electroplating, free-wheeling diodes, high voltage rectifiers, electrostatic filters, blocking diodes and others.

Discrete thyristors - SEMIKRON's discrete thyristors are offered as stud screw fit types that are convenient for applications which require robustness and simple mounting, plus capsule (disc) types for high power applications. The line has phase control types for current ratings up to 1200A, with blocking and reverse voltages up to 1800V, covering the major market applications. Typical applications: soft-starters, resistance heating, static switches, battery chargers, welding equipment, static excitation and others.


Product	Page
Discrete diode	
Leaded	176
Stud screw-fit	177
Capsule	179
Discrete thyristor	
Stud screw-fit	180
Capsule	181

For detailed information please refer to data sheets.
Further information: www.semikron.com/discrete-diodes
www.semikron.com/discrete-thyristors


Discretes

Discrete diodes


Leaded 100V up to 2000V



Stud screw-fit 400V up to 5000V




Capsule 200V up to 600V



Discrete thyristors

Stud screw-fit 400V up to 1800V



Capsule 400V up to 1800V

