

MAIN FEATURES

Cost effective series for asynchronous motors.

- Suitable for elevators and stage machinery
- Sturdy frame
- Up to \varnothing 40 mm bore size
- Resolution up to 2500 ppr with Z reference signal
- Torque arm fixing available up to \varnothing 30mm through hollow shaft



ORDERING CODE

EH 88 PE 1024 Z 5/28 P 30 X 3 PR . XXX

SERIES
incremental encoder series **EH**

SIZE
mm **88**

TYPE
through hollow shaft with tether **PE**
through hollow shaft with torque arm **PET**
N.B.: please see accessories for torque arm ordering codes

RESOLUTION
ppr **500 / 512 / 720 / 1000 / 1024 / 1440 / 2500**
N.B.: please directly contact our offices for pulses availability

ZERO PULSE
without zero pulse **S**
with zero pulse **Z**

POWER SUPPLY
(available only with L electronic output) 5 V DC **5**
(available only with L or PC electronic output) 8 ... 24 V DC **8/24**
5 ... 28 V DC **5/28**

VARIANT
XXX custom version

OUTPUT TYPE
PR cable output radial with cable gland
(standard length 0.5 m)

MAX ROTATION SPEED
3 3000 rpm

ENCLOSURE RATING
X IP 54

BORE DIAMETER

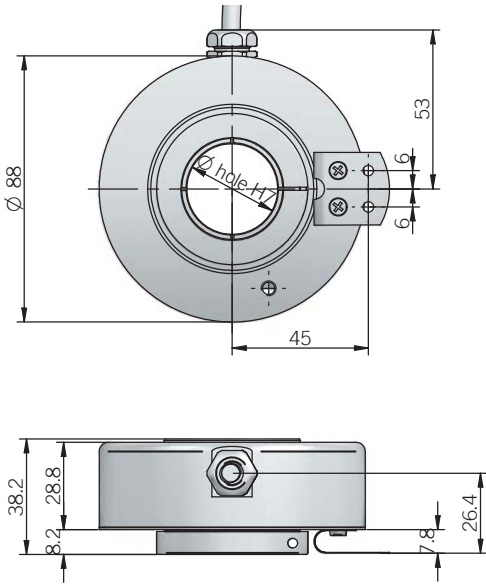
25 mm
30 mm
35 mm
38 mm
40 mm
K25 mm with key
K30 mm with key
K35 mm with key

N.B.: torque arm fixing available up to 30mm bore diameter

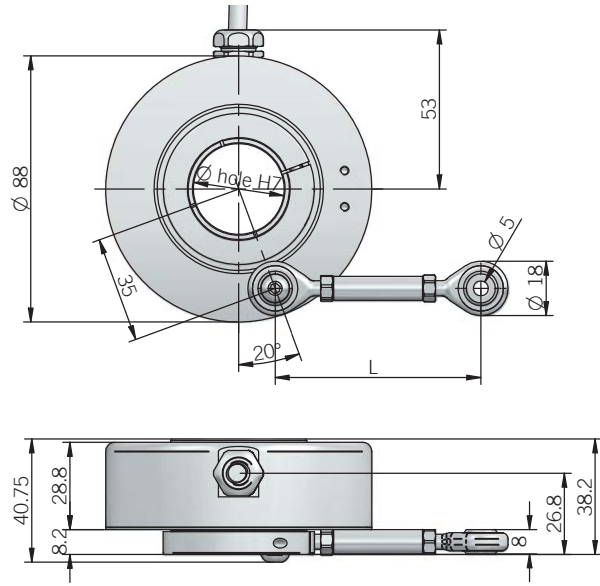
ELECTRONIC INTERFACE

P push-pull
PC protected push-pull (AEIC-7272)
L line driver

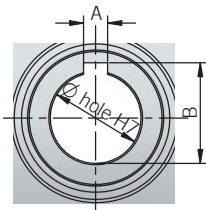
EH 88 PE



EH 88 PET



Hollow shaft with key



D	A	B
25 H7	8	28.3 ⁰ / _{0.2}
30 H7	8	33.3 ⁰ / _{0.2}
35 H7	10	38.3 ⁰ / _{0.2}

Key according to UNI 6604 / DIN 6885

Mechanical specifications

Bore diameter	25 / 30 / 35 / 38 / 40 mm 25 / 30 / 35 mm with key <i>PET maximum 30 mm bore diameter</i>
Enclosure rating	IP 54 (IEC 60529)
Shock	50 G, 11 ms (IEC 60068-2-27)
Vibration	10 G, 10÷2000 Hz (IEC 60068-2-6)
Max rotation speed	3000 rpm
Body material	EN-AW 2011 aluminum
Shaft material	up to 38 mm: EN-AW 2011 aluminum K35 and 40 mm: 1.4305/AISI 303 stainless steel
Housing material	EN-AW 2011 aluminum
Bearings	2 ball bearings
Bearings life	10 ⁹ revolutions
Operating temperature	-30° ... +85 °C
Storage temperature	-30° ... +85 °C
Weight	300 g

Accessories - Torque arm

Length	Ordering code
L = 80 ± 10 mm	SN5A30
L = 110 ± 10 mm	SN5A60
L = 140 ± 10 mm	SN5A90

Torque arm MUST be ordered separately, n° 2 M5 x 12 UNI ISO 7380 are included

Electrical specifications

Resolution	500 / 512 / 720 / 1000 / 1024 / 1440 / 2500 ppr
Power supply	5 V DC ± 10% 5 ... 28 V DC ± 5% 8 ... 24 V DC ± 5% (reverse polarity protection)
Current consumption without load	100 mA max
Max load current	20 mA for channel
Output type	push-pull line driver
Max output frequency	100 kHz
Counting direction	A leads B clockwise (shaft view)
Electromagnetic compatibility	IEC 61000-6-2 IEC 61000-6-3

Connections and standard colours

Function	Push pull	Line driver
+V DC	red	red
0 V	black	black
Ch. A	green	green
Ch. A-	/	brown
Ch. B	yellow	yellow
Ch. B-	/	orange
Ch. Z	blue	blue
Ch. Z-	/	white
⊥	shield	shield

