

EIL580-SC

Solid shaft with clamping flange

100...5000 pulses per revolution

Overview

- Size $\varnothing 58$ mm
- Precise optical sensing
- Output signal level TTL or HTL
- Clamping flange
- Connection axial, radial or tangential
- Pulses per revolution up to 5000
- High protection up to IP 67
- High resistance to shock and vibrations



Technical data

Technical data - electrical ratings

Voltage supply	5 VDC ± 5 % 8...30 VDC 4.75...30 VDC
Reverse polarity protection	Yes
Short-circuit proof	Yes (HTL) Yes (TTL, max. 1 s and 1 signal)
Consumption w/o load	≤ 70 mA
Pulses per revolution	100 ... 5000
Phase shift	$90^\circ \pm 10^\circ$
Duty cycle	40...60 %
Reference signal	Zero pulse, width $90^\circ \pm 10$ %
Sensing method	Optical
Output frequency	≤ 300 kHz (TTL) ≤ 160 kHz (HTL)
Output signals	A+, B+, R+, A-, B-, R-
Output stages	TTL/RS422 HTL/push-pull
Interference immunity	DIN EN 61000-6-2
Emitted interference	DIN EN 61000-6-3
Approval	UL 508 / CSA 22.2

Technical data - mechanical design

Size (flange)	$\varnothing 58$ mm
---------------	---------------------

Technical data - mechanical design

Shaft type	$\varnothing 10 \times 20$ mm, solid shaft with flat $\varnothing 3/8" \times 4/5"$ ($\varnothing 9.525 \times 20.32$ mm), solid shaft with flat
Admitted shaft load	≤ 40 N axial ≤ 80 N radial
Flange	Clamping flange
Protection EN 60529	IP 65 (without shaft seal) IP 67 (with shaft seal)
Operating speed	≤ 6000 rpm (+20 °C, IP 67) ≤ 12000 rpm (+20 °C, IP 65)
Starting torque	$\leq 0,015$ Nm (+20 °C, IP 65) $\leq 0,02$ Nm (+20 °C, IP 67)
Material	Housing: aluminium die-cast Flange: aluminium Solid shaft: stainless steel
Operating temperature	$-40...+85$ °C
Relative humidity	90 % non-condensing
Resistance	DIN EN 60068-2-6 Vibration 30 g, 10-2000 Hz DIN EN 60068-2-27 Shock 300 g, 6 ms
Connection	Flange connector M12, 8-pin Flange connector M23, 12-pin Cable
Weight approx.	300 g

EIL580-SC

Solid shaft with clamping flange
100...5000 pulses per revolution

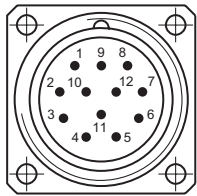
Terminal assignment

Flange connector M23, 12-pin / cable

Pin	Core color	Assignment
1	pink	B-
2	–	–
3	blue	R+
4	red	R-
5	green	A+
6	yellow	A-
7	–	–
8	grey	B+
9	–	–
10	white	GND
11	–	–
12	brown	UB

Screen: Connected to housing

Cable data: PVC, [4x2x0.14 mm²], bending radius >32.5 mm, outer diameter approx. 6.4 mm



Flange connector M23, pin contacts, 12-pin, counterclockwise (CCW)

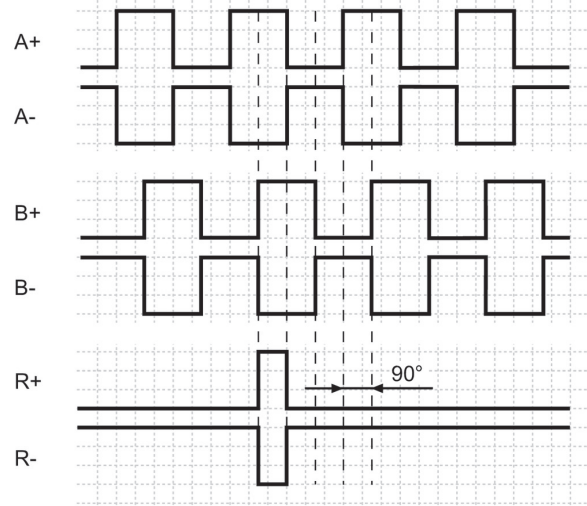
Flange connector M12, 8-pin

Pin	Assignment
1	GND
2	UB
3	A+
4	A-
5	B+
6	B-
7	R+
8	R-



Output signals

Clockwise rotating direction when looking at flange.



Trigger level

Outputs	TTL/RS422
Output level High	≥2.5 V
Output level Low	≤0.5 V
Load	≤20 mA

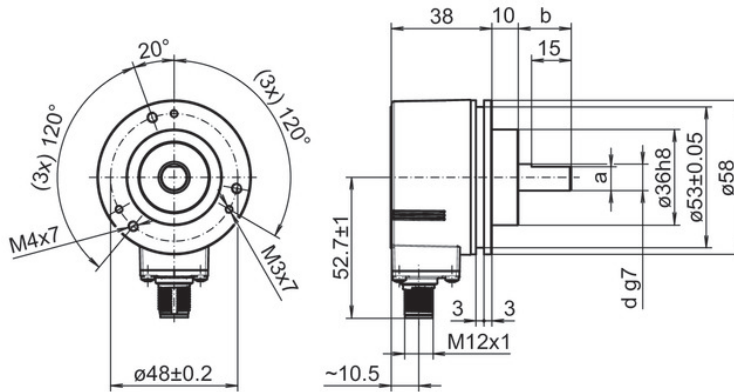
Outputs	HTL/Push-pull
Output level High	≥UB -3 V
Output level Low	≤1.5 V
Load	≤20 mA

EIL580-SC

Solid shaft with clamping flange

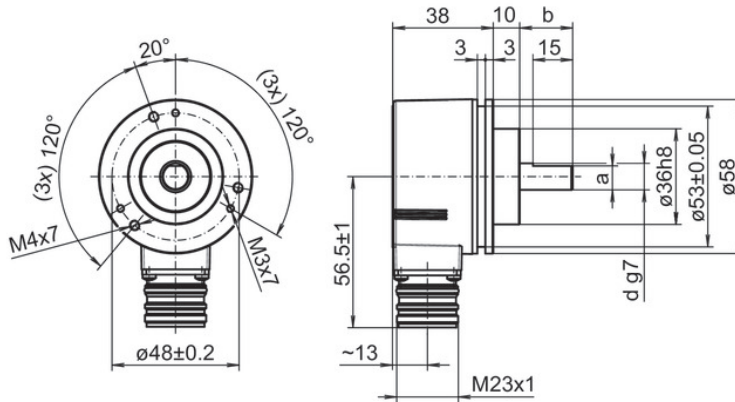
100...5000 pulses per revolution

Dimensions



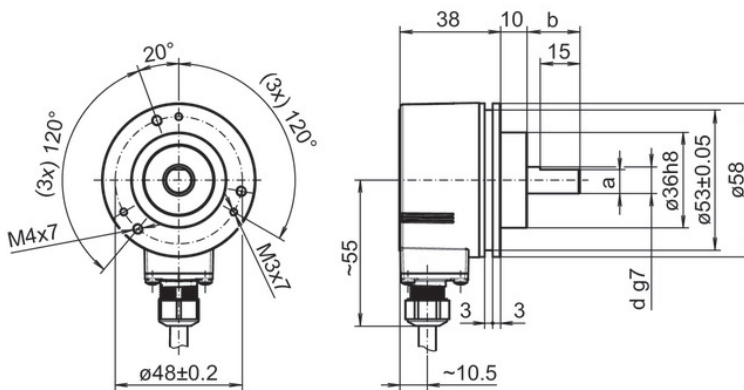
Clamping flange, flange connector M12, radial

d g7	a	b
ø9.525	8.64	20.32
ø10	9.	20



Clamping flange, flange connector M23, radial

d g7	a	b
ø9.525	8.64	20.32
ø10	9.	20



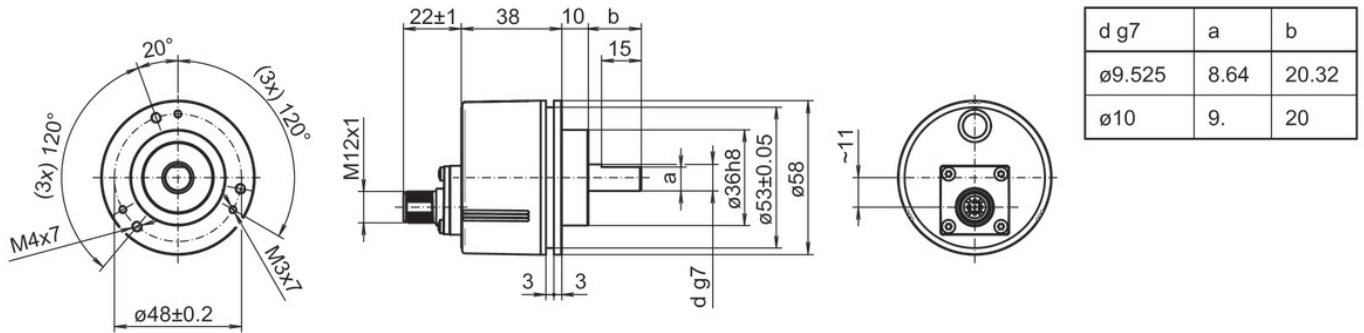
Clamping flange, cable, radial

d g7	a	b
ø9.525	8.64	20.32
ø10	9.	20

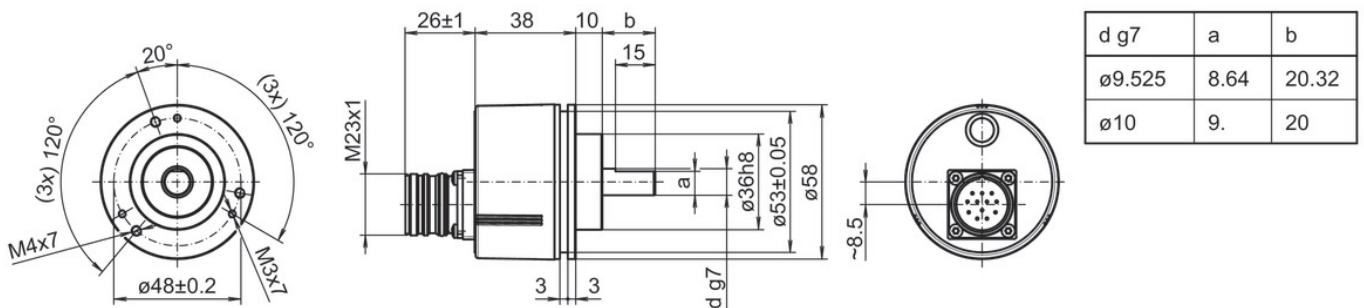
EIL580-SC

Solid shaft with clamping flange
100...5000 pulses per revolution

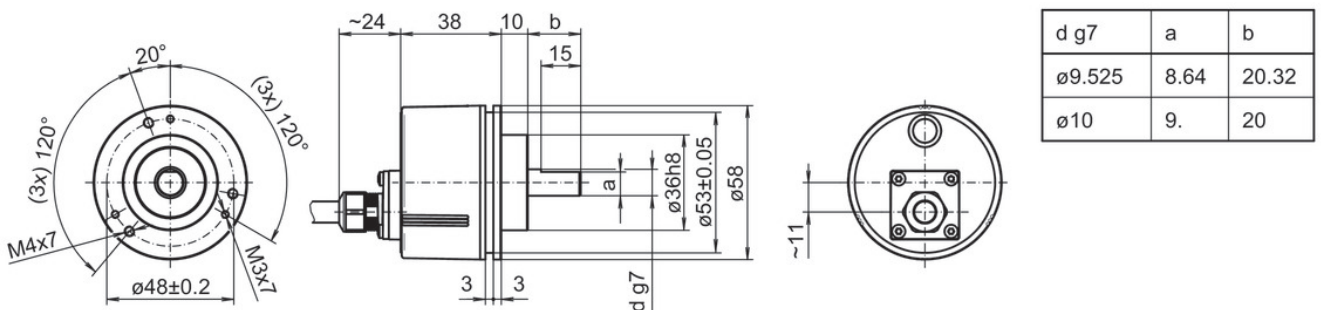
Dimensions



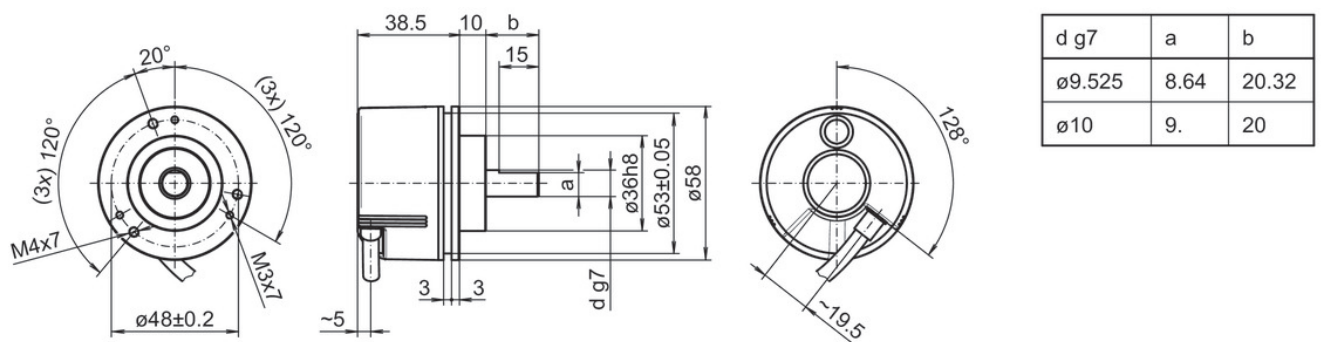
Clamping flange, flange connector M12, axial



Clamping flange, flange connector M23, axial



Clamping flange, cable, axial



Clamping flange, cable, tangential

EIL580-SC

Solid shaft with clamping flange

100...5000 pulses per revolution

Ordering reference

	EIL580	-	S	C	##	.	#	##	#	.	####	.	A
Product	EIL580												
Shaft type													
Solid shaft				S									
Flange (shaft)													
Clamping flange, centering collar Ø36 x 10 mm, pitch circle diameter 48 mm - 3xM3/3xM4				C									
Shaft													
ø3/8" x 4/5" (Ø9.525 x 20.32 mm), with flat									U3				
ø10 x 20 mm, with flat									10				
Protection class													
IP 65											5		
IP 67											7		
Connection													
Cable radial, 1 m													R
Cable radial, 2 m													L
Flange socket radial, M23, 12-pin, male contacts, CCW													F
Flange socket radial, M12, 8-pin, male contacts, CCW													B
Cable axial, 1 m													T
Cable axial, 2 m													U
Flange socket axial, M23, 12-pin, male contacts, CCW													D
Flange socket axial, M12, 8-pin, male contacts, CCW													A
Cable tangential, 1 m													P
Cable tangential, 2 m													Q
Voltage supply / output													
5 VDC, TTL/RS422, 6 channel													E
8...30 VDC, TTL/RS422, 6 channel (Vout=5V)													H
8...30 VDC, HTL/push pull, 6 channel													N
4,75...30 VDC, HTL/push pull, 6 channel (Vout=Vin)													Q

EIL580-SC

Solid shaft with clamping flange

100...5000 pulses per revolution

Ordering reference

	EIL580	-	S	C	##	.	#	##	#	.	####	.	A
Pulse number													
100													100
120													120
150													150
200													200
250													250
256													256
300													300
360													360
400													400
500													500
512													512
600													600
720													720
800													800
900													900
1000													1000
1024													1024
1200													1200
1250													1250
1440													1440
1500													1500
1800													1800
2000													2000
2048													2048
2500													2500
3000													3000
3600													3600
4000													4000
4096													4096
5000													5000

Operating temperature

-40...+85 °C

2020-10-15 The product features and technical data specified do not express or imply any warranty. Technical modifications subject to change.

EIL580-SC

Solid shaft with clamping flange

100...5000 pulses per revolution

Accessories

Mounting accessories

11065915	Coupling CPS25 L=19 d1=04/d2=10
11065918	Coupling CPS25 L=19 d1=07/d2=10
11065920	Coupling CPS25 L=19 d1=08/d2=10
11065921	Coupling CPS25 L=19 d1=09/d2=10
11065922	Coupling CPS25 L=19 d1=10/d2=06
11065923	Coupling CPS25 L=19 d1=10/d2=10
11065924	Coupling CPS25 L=19 d1=10/d2=11
11065925	Coupling CPS25 L=19 d1=10/d2=12
10141132	Spring washer coupling D1=6 / D2=10 (Z 121.C01)
10141133	Spring washer coupling D1=10 / D2=10 (Z 121.C03)
11034138	Spring washer coupling D1=10 / D2=16 (Z 121.C04)
11034140	Spring washer coupling D1=10 / D2=14 (Z 121.C06)
11034141	Spring washer coupling D1=10 / D2=12 (Z 121.C07)
11050507	Bellows coupling aluminium/stainless steel D1=06 / D2=10
11101781	Double loops coupling D1=10 / D2=10
10125051	Mounting adaptor for encoders with clamping flange (M3) (Z 119.017)
11065545	Set of eccentric fixings type A
11101893	Spring encoder arm

Connectors and cables

10127844	Connection cable 2 m shielded with female connector M12, 8-pin, straight (ESG 34FH0200G)
10129332	Connection cable 5 m shielded with female connector M12, 8-pin, straight (ESG 34FH0500G)
10129333	Connection cable 10 m shielded with female connector M12, 8-pin, straight (ESG 34FH1000G)
11053961	Connection cable 2 m shielded with female connector M12, 8-pin, angled (ESW 33FH0200G)
11053962	Connection cable 5 m shielded with female connector M12, 8-pin, angled (ESW 33FH0500G)
10170054	Connection cable 10 m shielded with female connector M12, 8-pin, angled (ESW 33FH1000G)
10164705	Female connector M23, 12-pin, CW
11095302	Female connector M23, 12-pin, CW, with cable 1 m
11100408	Female connector M23, 12-pin, CW, with cable 2 m
11100430	Female connector M23, 12-pin, CW, with cable 5 m
11100431	Female connector M23, 12-pin, CW, with cable 10 m