

HOG 100

Blind hollow shaft $\varnothing 16$ mm or cone shaft $\varnothing 17$ mm (1:10)
1024...10000 pulses per revolution

Overview

- High resolution
- Blind hollow shaft $\varnothing 16$ mm or cone shaft $\varnothing 17$ mm (1:10)
- Optical sensing method
- Output stage HTL or TTL
- Output stage with regulator 9...26 VDC
- Hybrid bearing for extended service life
- Large terminal box, turn by 180° or axial terminal cover



HUBNER
BERLIN
A Baumer Brand

Technical data

Technical data - electrical ratings

Voltage supply	9...30 VDC 5 VDC ± 5 % 9...26 VDC
Consumption w/o load	≤ 100 mA
Pulses per revolution	1024 ... 10000
Phase shift	$90^\circ \pm 8^\circ$
Duty cycle	44...56 %
Reference signal	Zero pulse, width 90°
Sensing method	Optical
Output frequency	≤ 250 kHz
Output signals	K1, K2, K0 + inverted
Output stages	HTL TTL/RS422
Interference immunity	EN 61000-6-2
Emitted interference	EN 61000-6-3
Approval	CE UL approval / E217823

Technical data - mechanical design

Size (flange)	$\varnothing 105$ mm
Shaft type	$\varnothing 16$ mm (blind hollow shaft) $\varnothing 17$ mm (cone shaft 1:10)

Technical data - mechanical design

Admitted shaft load	≤ 450 N axial ≤ 600 N radial
Protection EN 60529	IP 66
Operating speed	≤ 10000 rpm (mechanical)
Operating torque typ.	6 Ncm
Rotor moment of inertia	320 gcm ²
Material	Housing: aluminium die-cast Shaft: stainless steel
Operating temperature	$-30...+85^\circ\text{C}$
Resistance	IEC 60068-2-6 Vibration 20 g, 10-2000 Hz IEC 60068-2-27 Shock 300 g, 6 ms
Corrosion protection	IEC 60068-2-52 Salt mist for ambient conditions C4 according to ISO 12944-2
Explosion protection	II 3 G Ex nA IIC T4 Gc (gas) II 3 D Ex tc IIIC T135°C Dc (dust) (only with option ATEX)
Connection	Terminal box Terminal cover
Weight approx.	1.5 kg

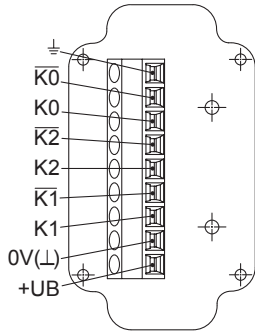
HOG 100

Blind hollow shaft $\varnothing 16$ mm or cone shaft $\varnothing 17$ mm (1:10)
1024...10000 pulses per revolution

Terminal assignment

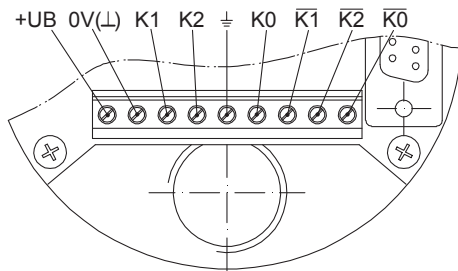
View A (see dimension)

Connecting terminal terminal box, radial



View B (see dimension)

Connecting terminal terminal cover, axial



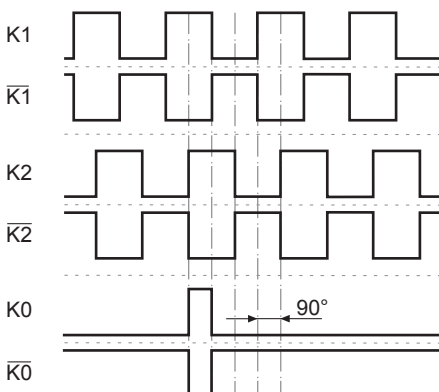
Terminal significance

+UB	Voltage supply
0V (⊥)	Ground
⊥	Earth ground (housing)
K1	Output signal channel 1
$\bar{K}1$	Output signal channel 1 inverted
K2	Output signal channel 2 (offset by 90° to channel 1)
$\bar{K}2$	Output signal channel 2 inverted
K0	Zero pulse (reference signal)
$\bar{K}0$	Zero pulse inverted

Output signals

HTL/TTL

At positive rotating direction (see dimension)

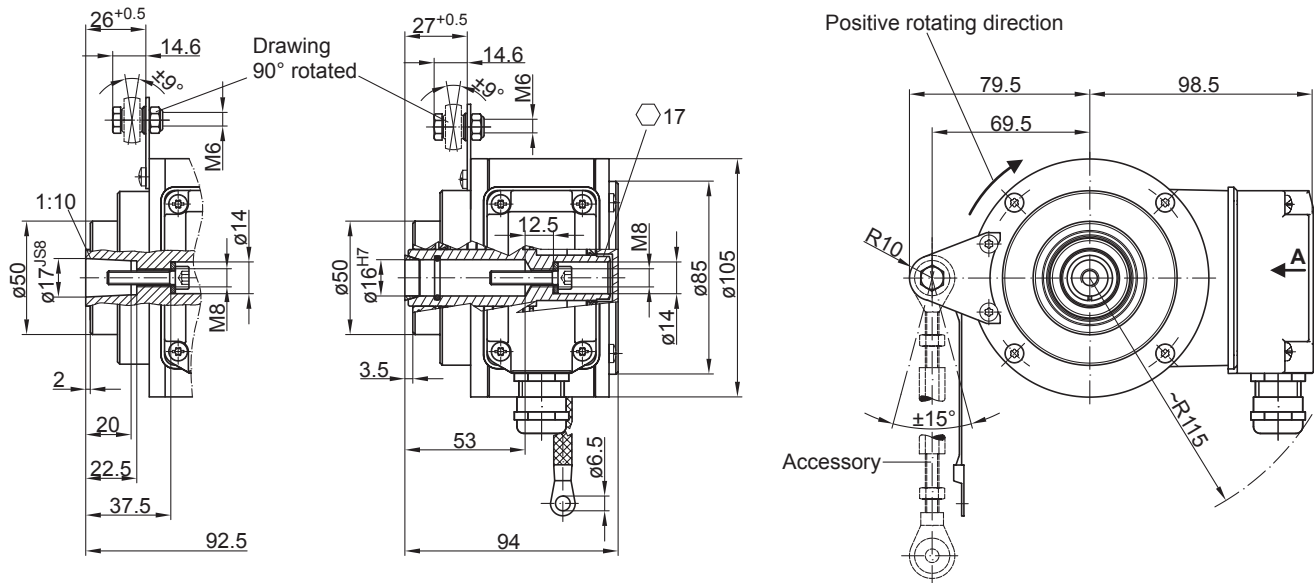


HOG 100

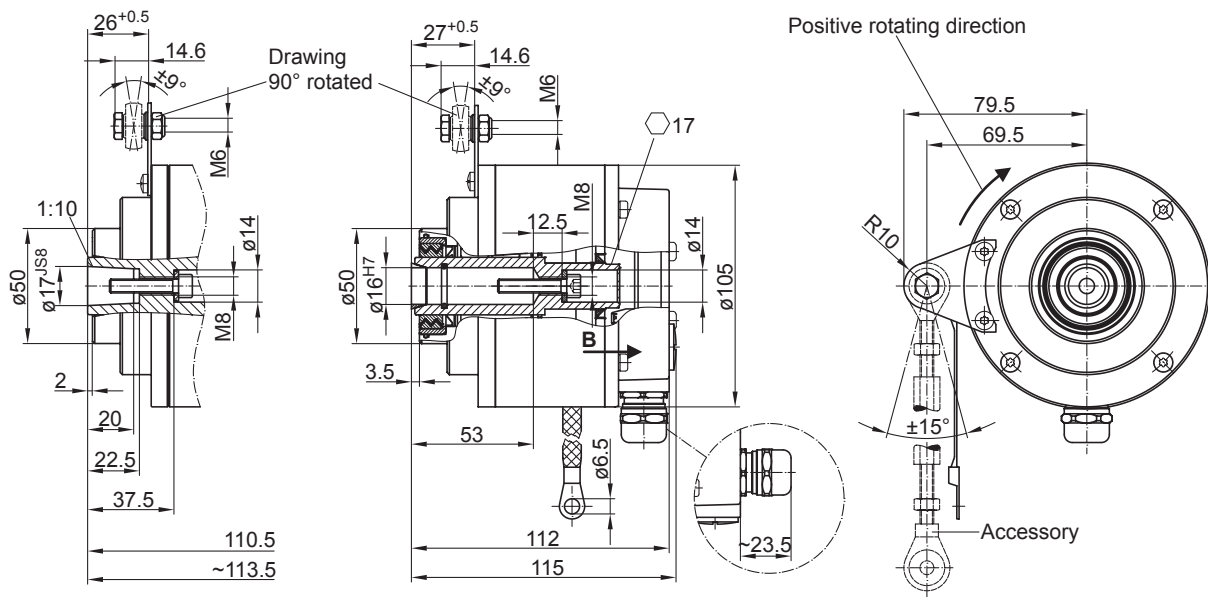
Blind hollow shaft $\varnothing 16$ mm or cone shaft $\varnothing 17$ mm (1:10)

1024...10000 pulses per revolution

Dimensions



Version with radial terminal box



Version with axial terminal cover

HOG 100

 Blind hollow shaft $\varnothing 16$ mm or cone shaft $\varnothing 17$ mm (1:10)

1024...10000 pulses per revolution

Ordering reference

	HOG100	DN	####	###	##	#####	#####
Product	Incremental encoder	HOG100					
Output signals	K1, K2, K0	DN					
Pulse number⁽¹⁾							
	1024		1024				
	2000		2000				
	2048		2048				
	2160		2160				
	2500		2500				
	3072		3072				
	4096		4096				
	5000		5000				
	10000		10000				
Voltage supply / output stage							
	9...30 VDC / output stage HTL with inverted signals				I		
	5 VDC / output stage TTL with inverted signals				TTL		
	9...30 VDC / output stage TTL with inverted signals				R		
Sealing system							
	Dust protection					LR	
	Damp protection					SR	
Shaft diameter							
	Blind hollow shaft $\varnothing 16$ mm						16H7
	Cone shaft $\varnothing 17$ mm (1:10)						17K
Connection							
	Terminal box, radial						KLK
	Terminal cover, axial (not for option M redundant)						KLK-AX

(1) Other pulse numbers on request.

Accessories

Mounting accessories

11043628	Torque arm M6, length 67...70 mm
11004078	Torque arm M6, length 120...130 mm (≥ 71 mm)
11002915	Torque arm M6, length 425...460 mm (≥ 131 mm)
11054917	Torque arm M6 insulated, length 67...70 mm
11072795	Torque arm M6 insulated, length 120...130 mm (≥ 71 mm)
11082677	Torque arm M6 insulated, length 425...460 mm (≥ 131 mm)
11077197	Mounting kit for torque arm size M6 and earthing strap
11077087	Mounting and dismounting set

Connectors and cables

Sensor cable for encoders HEK 8

Diagnostic accessories

11075858	Analyzer for encoders HENQ 1100
11075880	Analyzer for encoders HENQ 1100 B