

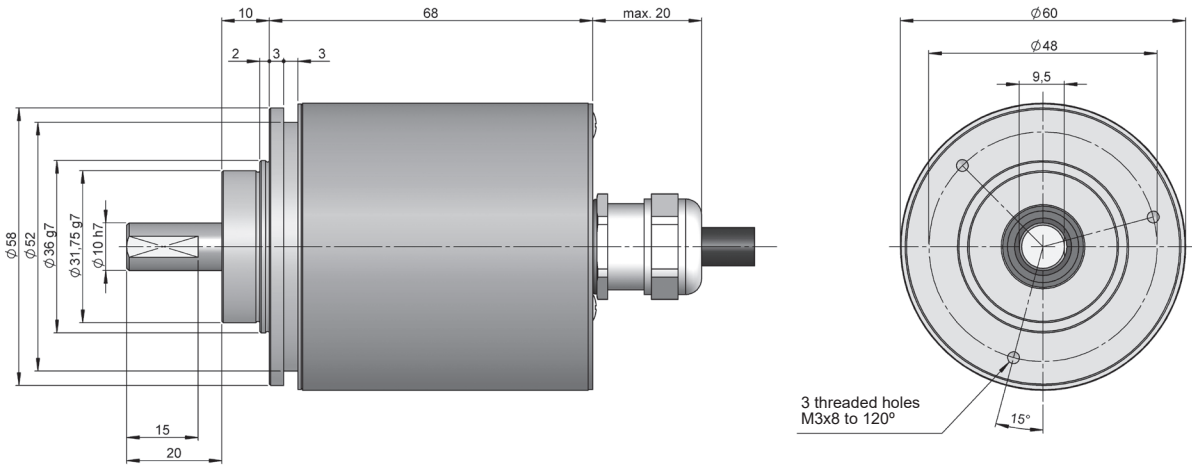


SERIE CS10 IP67

SINGLETURN ABSOLUT ENCODER FOR SEVERE APPLICATIONS

PARALLEL

- Parallel
- Singleturn resolution up to 13 bits
- External diameter 58 mm
- Shaft from $\varnothing 6$ or 10 mm
- Protection class IP67 according to DIN EN 40050
- Connection by cable (other cable length available)



Drawing shaft type 1, connection type 11, without flange

REFERENCE

Reference example: CS10-11110124S-1024

Serie	Solid shaft	Flange	Connection	Interface	Code	IP	Power Supply / Electronic output	Parameters config.	Singleturn resolution	Special customer
CS10 -	<input type="checkbox"/>	<input type="checkbox"/>	<input type="checkbox"/>	<input type="checkbox"/>	<input type="checkbox"/>	<input type="checkbox"/>	<input type="checkbox"/>	<input type="checkbox"/>	<input type="checkbox"/>	<input type="checkbox"/>
	1. $\varnothing 6 \times 10$ mm 2. $\varnothing 10 \times 20$ mm	1. None 2. 90.1002 3. 90.1003 4. 90.1004 5. 90.1005 6. 90.1006	11. Axial cable	0. Parallel	1. Binary CW 2. Binary CCW 3. Gray CW 4. Gray CCW 5. Gray excess CW 6. Gray excess CCW 7. BDC CW 8. BDC CCW	2. Stainless steel IP67 3. IP67	2. 10...30 VDC / NPN 3. 10...30 VDC / Push-Pull 4. 10...30 VDC / NPN OC	Blank. None S. Direction		

Order your reference Step file 3D

info@encoderhohner.com
service available in 24 h



SERIE CS10 IP67

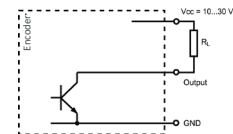
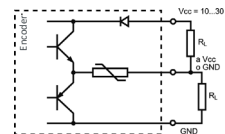
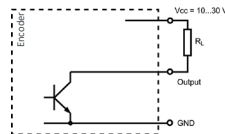
SINGLETURN ABSOLUT ENCODER FOR SEVERE APPLICATIONS

PARALLEL

MECHANICAL SPECIFICATIONS

Materials	Housing: Aluminium (IP type 3) / Stainless steel (IP type 2) Flange: Aluminium Shaft: Stainless Steel
Bearings	Ballraces
Bearings lifetime	1x10 ¹⁰ rev.
Shaft diameter	6 or 10 mm
Maximum number of revolutions permitted mechanically	6000 rpm
Protection according to DIN EN 40050	IP67
Rotor inertia moment	30 gcm ²
Starting torque at 20°C (68°F)	≤ 0,02 Nm
Maximum load permitted on axial shaft	40 N
Maximum load permitted on radial shaft	60 N
Weight aprox.	0,4 Kg
Operating temperature range	-10°C to +70°C
Vibration	100 m/s ² (10Hz...2000Hz)
Shock	1000 m/s ² (6ms)
Axial connection	2 meters cable (other cable lengths available on order)

OUTPUT SIGNALS



OUTPUT CIRCUIT	NPN	Push-Pull	NPN Open Collector
Reference code	2	3	4
Power supply	10...30 VDC	10...30 VDC	10...30 VDC
Consumption max.	100 mA	100 mA	100 mA
Max. load capability / channel	40 mA	±30 mA	40 mA
"Low" signal level	VOL < 2.5 VDC	VOL < 2.5 VDC	VOL < 2.5 VDC
"High" signal level	VOH > VCC - 3V	VOH > VCC - 3V	VOH > VCC - 3V
Frequency	200 kHz	200 kHz	200 kHz

ELECTRICAL SPECIFICATIONS

Interface	Parallel
Inputs	Opto-coupled
Code	Binary Gray BDC
Singleturn resolution	up to 8192 points per turn (13 bits)
Linearity	±1/2 LSB
Parameters config.	Direction

SERIE CS10 IP67

SINGLETURN ABSOLUT ENCODER FOR SEVERE APPLICATIONS

PARALLEL

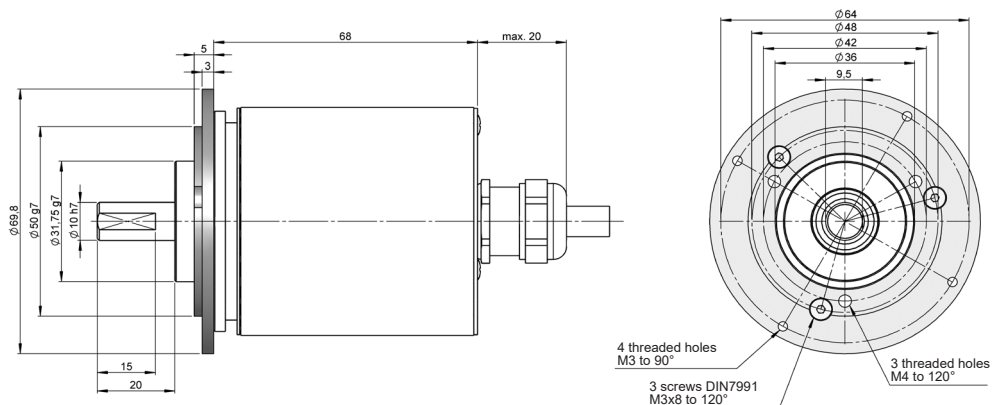
CONNECTION



	Cable 15 x 0.14 mm ² 95.0008031	Cable 25 x 0.14 mm ² 95.0008030
GND	Black	Black
VCC	Red	Red
Bit 0	Brown	Brown
Bit 1	White	White
Bit 2	Yellow	Yellow
Bit 3	Green	Green
Bit 4	Orange	Pink
Bit 5	Violet	Orange
Bit 6	Grey	Grey
Bit 7	Blue	Blue
Bit 8	White - Black	Yellow - Black
Bit 9	White - Red	Yellow - Red
Bit 10	White - Brown	Yellow - Brown
Bit 11	White - Yellow	Yellow - Green
Bit 12	White - Blue	Yellow - Grey
Bit 13		Yellow - Blue
Bit 14		White - Black
Bit 15		White - Red
DIR	White - Yellow	Yellow - Pink
RES	White - Blue	White - Blue

FLANGE DIMENSIONS

Flange 2
90.1002

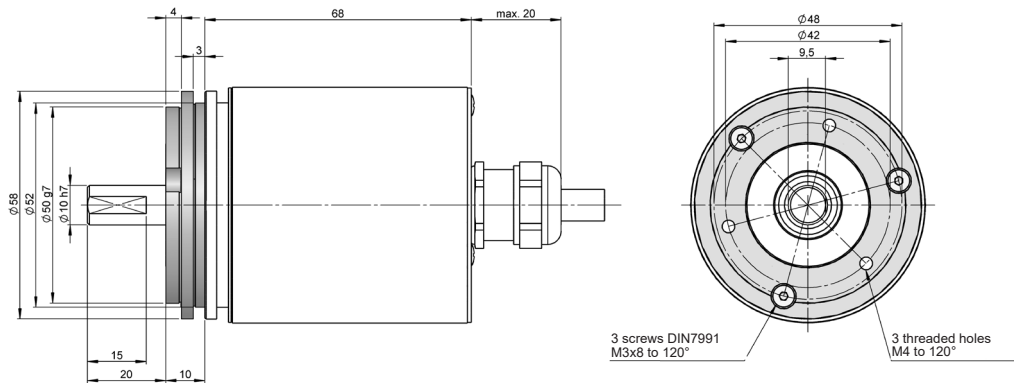


SERIE CS10 IP67

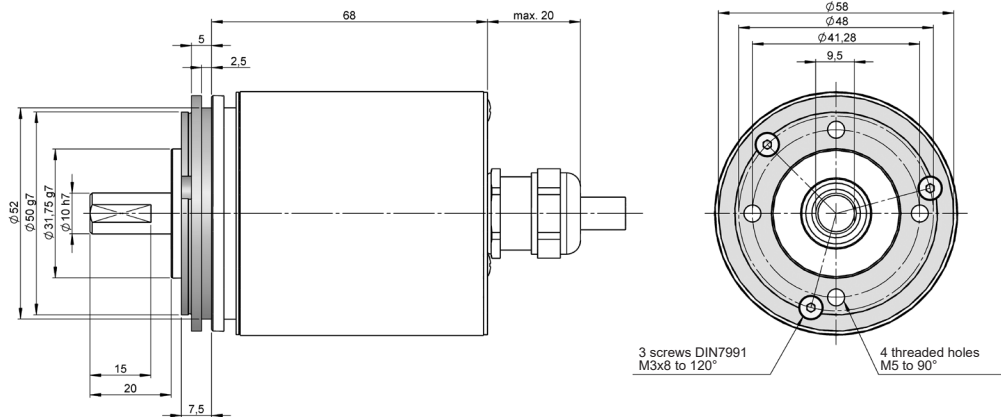
SINGLETURN ABSOLUT ENCODER FOR SEVERE APPLICATIONS

PARALLEL

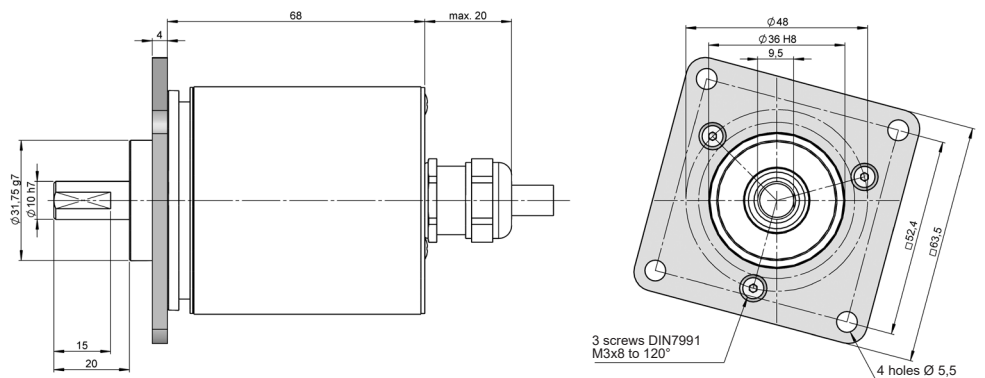
Flange 3
90.1003



Flange 4
90.1004



Flange 5
90.1005



SERIE CS10 IP67

SINGLETURN ABSOLUT ENCODER FOR SEVERE APPLICATIONS

PARALLEL

Flange 6
90.1006

