

SERIE HS10/HM10

SINGLETURN AND MULTITURN ABSOLUTE BLIND HOLLOW SHAFT ENCODER

EtherCAT



- EtherCAT
- Programmable up to 30 bits (65.536 points per turn, 16.384 turns)
- External diameter 58 mm
- Blind hollow shaft \varnothing 10 or 12 mm
- Protection class IP65 according to DIN EN 60529
- Connection by industrial connector 3 x M12



Optical Encoder



Absolute Encoder



High shaft load capacity



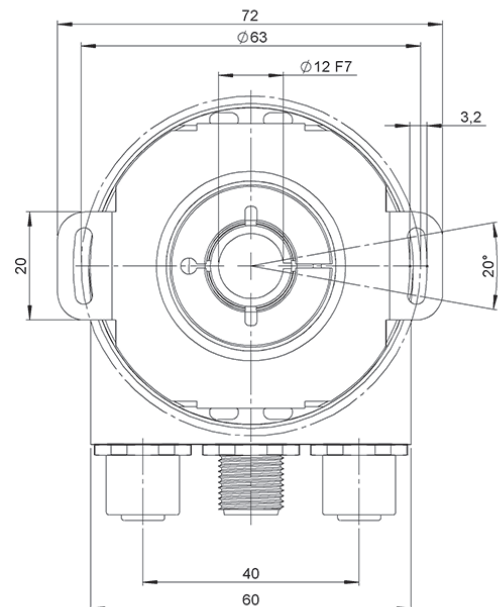
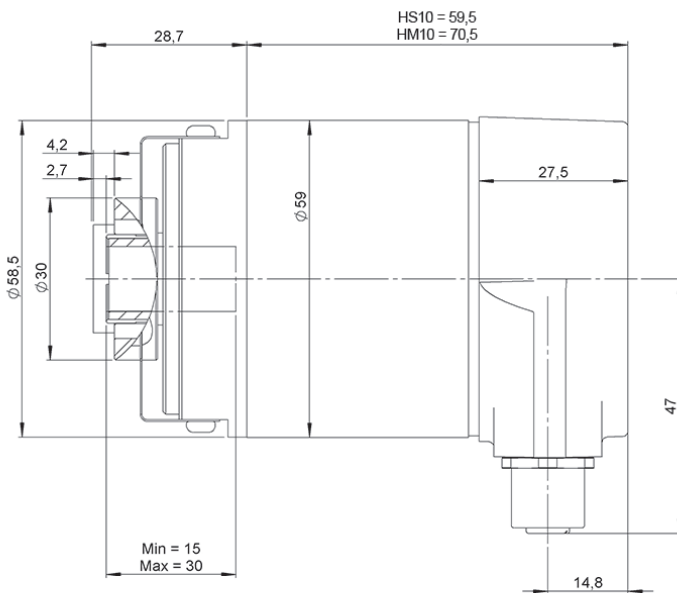
Vibration and shock resistant



IP65



Temperature range



Drawing blind hollow shaft type 4, connection type 2

REFERENCE

Reference example: HS10-4362-16 | HM10-4462-1614

Serie	Flange	Blind-Hollow shaft	Interface	Connection	Singleturn resolution	Multiturn resolution	Special customer
HS10/HM10 -	<input type="checkbox"/>	<input type="checkbox"/>	<input type="checkbox"/>	<input type="checkbox"/>	- <input type="checkbox"/> <input type="checkbox"/>	<input type="checkbox"/> <input type="checkbox"/>	<input type="checkbox"/> <input type="checkbox"/>
HS10. Singleturn HM10. Multiturn	4. Blind-Hollow shaft	3. \varnothing 10 mm 4. \varnothing 12 mm	6. EtherCAT	2. 3 x M12 Connector	up to 16 bits (Standard: 13 bits)	up to 14 bits (Standard: 12 bits)	

Order your reference
Step file 3D

info@encoderhohner.com

service available in 24 h



SERIE HS10/HM10

SINGLETURN AND MULTITURN ABSOLUTE BLIND HOLLOW SHAFT ENCODER



MECHANICAL SPECIFICATIONS

Materials	Housing: Aluminium Flange: Aluminium Shaft: Stainless Steel
Bearings	Ballraces
Shaft diameter	10 or 12 mm
Maximum number of revolutions permitted mechanically	≤ 12000 rpm
Protection according to DIN EN 60529	IP65
Rotor inertia moment	≤ 30 gcm ²
Starting torque at 20°C (68°F)	≤ 0,03 Nm
Weight aprox.	375 g
Operating temperature range	-40°C to +85°C
Storage temperature range	-40°C to +85°C
Humidity	98% RH, not condensed
Vibration according to DIN EN 60068-2-6	100 m/s ² (10Hz...1000Hz)
Shock according to DIN EN 60068-2-27	1000 m/s ² (6ms)
Radial connection	3 x M12 Connector Mating connectors not included

INTERFACE



Profile	CoE (CANopen over EtherCAT, DS-301+DS-406)
Diagnostics	OptoAsic, Memory, LED
Programming functions	Resolution, preset, counting direction
Features	Boot-Loader, Round Axis
Transmission rate	10 / 100 Mbit
Interface cycle time	≥ 62,5 µs

ELECTRICAL SPECIFICATIONS

Output Driver	Ethernet
Power supply	10...30 VDC
Consumption	≤ 230 mA (10 VDC) ≤ 100 mA (24 VDC)
Power Consumption	≤ 2.5 W
Start time	< 250 ms
Singleturn resolution	up to 16 bits
Multiturn resolution	up to 14 bits
Accuracy (INL)	±0.0220° (16 bits) ±0.0439° (13 bits)
Code	Binary
Short circuit protection	Yes
Protection polarity inversion	Yes
EMC: Emitted interference	DIN EN 61000-6-4
EMC: Noise immunity	DIN EN 61000-6-2
MTTF	65 years

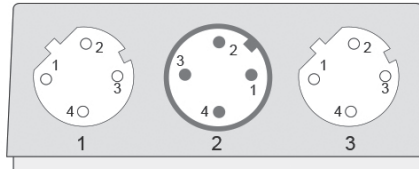
SERIE HS10/HM10

SINGLETURN AND MULTITURN ABSOLUTE BLIND HOLLOW SHAFT ENCODER



CONNECTION

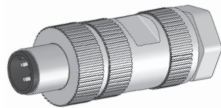
Mating connectors not included



	M12 4p Female d coded	M12 4p Male a coded	M12 4p Female d coded
VCC	-	1	-
GND	-	3	-
Tx+	1	-	1
Rx+	2	-	2
Tx-	3	-	3
Rx-	4	-	4
Not connected	-	2, 4	-

ACCESSORIES

90.9556
M12 4p
Male



90.9555
M12 4p
Female

