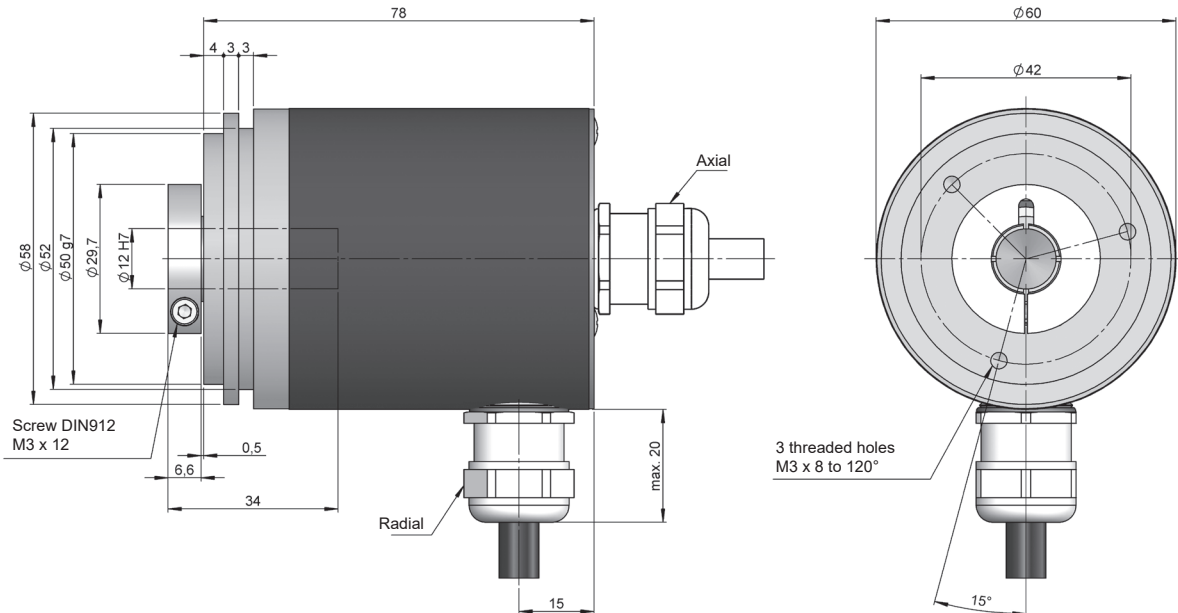
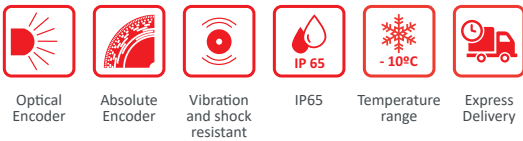




SERIE HS10

SINGLETURN ABSOLUTE ENCODER PARALLEL

- Parallel
- Singleturn resolution up to 13 bits
- External diameter 58 mm
- Shaft \varnothing 10 or 12 mm
- Protection class IP65 according to DIN EN 40050
- Connection by cable (other cable length available) or industrial connector



Drawing shaft type 3, connection type 11/12, without flange

REFERENCE

Reference example: HS10-31110212S-1024

Serie	Blind-Hollow shaft	Anti-rotation system	Connection	Interface	Code	IP	Power Supply / Electronic output	Parameters config.	Singleturn resolution	Special customer
HS10 -	<input type="checkbox"/>	<input type="checkbox"/>	<input type="checkbox"/> <input type="checkbox"/>	<input type="checkbox"/>	<input type="checkbox"/>	<input type="checkbox"/>	<input type="checkbox"/>	<input type="checkbox"/>	<input type="checkbox"/> <input type="checkbox"/> <input type="checkbox"/> <input type="checkbox"/> <input type="checkbox"/> <input type="checkbox"/>	<input type="checkbox"/> <input type="checkbox"/>
	3. \varnothing 12 mm 4. \varnothing 10 mm	1. None	11. Axial cable 12. Radial cable 31. Axial M23 12p 32. Radial M23 12p 41. Axial M23 16p 42. Radial M23 16p 51. Axial M27 21p 52. Radial M27 21p	0. Parallel	1. Binary CW 2. Binary CCW 3. Gray CW 4. Gray CCW 5. Gray excess CW 6. Gray excess CCW 7. BCD CW 8. BCD CCW	1. IP65	2. 10...30 VDC / NPN 3. 10...30 VDC / Push-Pull 4. 10...30 VDC / NPN OC	Blank. None S. Direction		

Order your reference
Step file 3D

info@encoderhohner.com
service available in 24 h



SERIE HS10

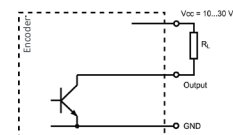
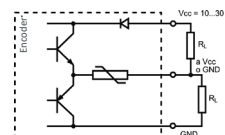
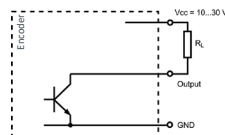
SINGLETURN ABSOLUTE ENCODER

PARALLEL

MECHANICAL SPECIFICATIONS

Materials	Housing: Steel Flange: Aluminium Shaft: Stainless Steel
Bearings	Ballraces
Bearings lifetime	1x10 ¹⁰ rev.
Housing fixing	Flexible flange
Shaft fixing	Clamp
Permitted misalignment	± 0.5 mm axial, ±0.3 mm radial
Blind hollow shaft diameter	10 or 12 mm
Maximum number of revolutions permitted mechanically	6000 rpm
Protection against dust and splashes according to DIN EN 40050	IP65
Rotor inertia moment	30 gcm ²
Starting torque at 20°C (68°F)	≤ 0,02 Nm
Maximum load permitted on axial shaft	40 N
Maximum load permitted on radial shaft	60 N
Weight aprox.	0,4 Kg
Operating temperature range	-10°C to +70°C
Vibration	100 m/s ² (10Hz...2000Hz)
Shock	1000 m/s ² (6ms)
Axial or radial connection	2 meters cable or industrial connector (other cable lengths available on order) Female connector not included

OUTPUT SIGNALS



OUTPUT CIRCUIT	NPN	Push-Pull	NPN Open Collector
Reference code	2	3	4
Power supply	10...30 VDC	10...30 VDC	10...30 VDC
Consumption max.	100 mA	100 mA	100 mA
Max. load capability / channel	40 mA	±30 mA	40 mA
"Low" signal level	VOL < 2.5 VDC	VOL < 2.5 VDC	VOL < 2.5 VDC
"High" signal level	VOH > VCC - 3V	VOH > VCC - 3V	VOH > VCC - 3V
Frequency	200 kHz	200 kHz	200 kHz

SERIE HS10

SINGLETURN ABSOLUTE ENCODER

PARALLEL

ELECTRICAL SPECIFICATIONS

Interface	Parallel
Inputs	Opto-coupled
Code	Binary Gray BCD
Singleturn resolution	up to 8192 points per turn (13 bits)
Linearity	±1/2 LSB
Parameters config.	Direction

CONNECTION



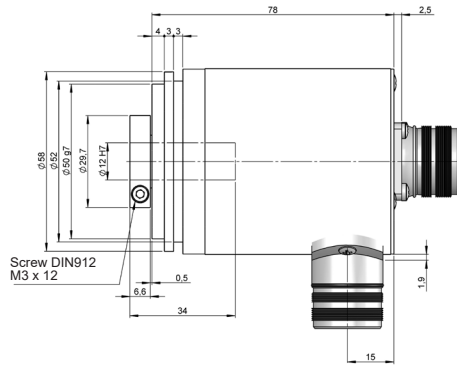
	Cable 15x0,14 mm ² 95.0008031	Cable 25x0,14 mm ² 95.0008030	Connector M23 12p CW	Connector M23 16p CW	Connector M27 21p CW
GND	Black	Black	1	1	1
VCC	Red	Red	2	2	2
Bit 0	Brown	Brown	3	3	3
Bit 1	White	White	4	4	4
Bit 2	Yellow	Yellow	5	5	5
Bit 3	Green	Green	6	6	6
Bit 4	Orange	Pink	7	7	7
Bit 5	Violet	Orange	8	8	8
Bit 6	Grey	Grey	9	9	9
Bit 7	Blue	Blue	10	10	10
Bit 8	White - Black	Yellow - Black	11	11	11
Bit 9	White - Red	Yellow - Red	12	12	12
Bit 10	White - Brown	Yellow - Brown		13	13
Bit 11	White - Yellow	Yellow - Green		14	14
Bit 12	White - Blue	Yellow - Grey		15	15
Bit 13		Yellow - Blue		16	16
Bit 14		White - Black			17
Bit 15		White - Red			18
DIR	White - Yellow	Yellow - Pink	11	15	20
RES	White - Blue	White - Blue	12	16	21

CONNECTION DIMENSIONS

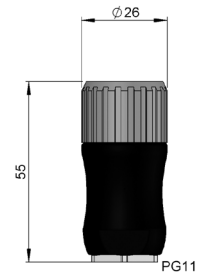
Female connector not included

Connection 31

Axial
M23 12p
male panel
clockwise

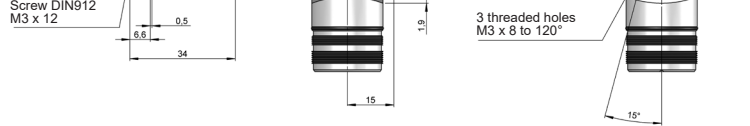


Female connector
95.0007131

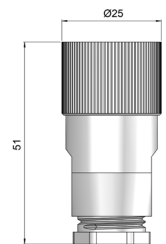


Connection 32

Radial
M23 12p
male panel
clockwise

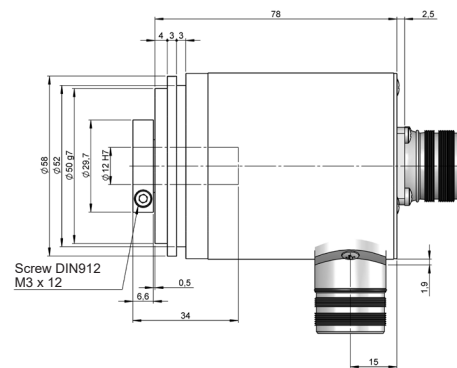


Female connector
95.0007006

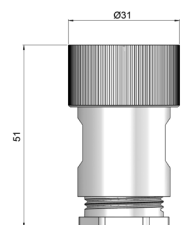


Connection 41

Axial
M23 16p
male panel
clockwise

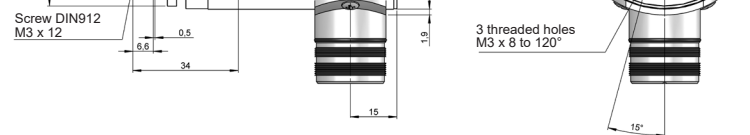


Female connector
95.0007062



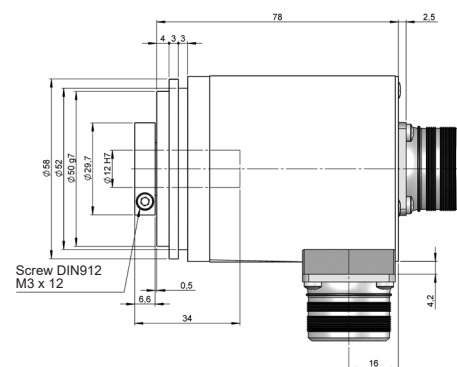
Connection 42

Radial
M23 16p
male panel
clockwise



Connection 51

Axial
M27 24p
male panel
clockwise



HS10-Parallel_EN_01 17/21
© Höhner Automation, subject to errors and changes.