



SERIE 58S

INCREMENTAL SOLID SHAFT ENCODER FOR INDUSTRIAL APPLICATIONS

 SIN/COS

- Resolution up to 2.048 pulses per turn
- External diameter 58 mm
- Shaft \varnothing 6 mm
- Fixation through synchro flange
- Protection class IP65 according to DIN EN 60529
- Connection by cable (other cable length available) or industrial connector M12, M23
- Female connector included



Optical Encoder



Incremental Encoder



High shaft load capacity



Vibration and shock resistant



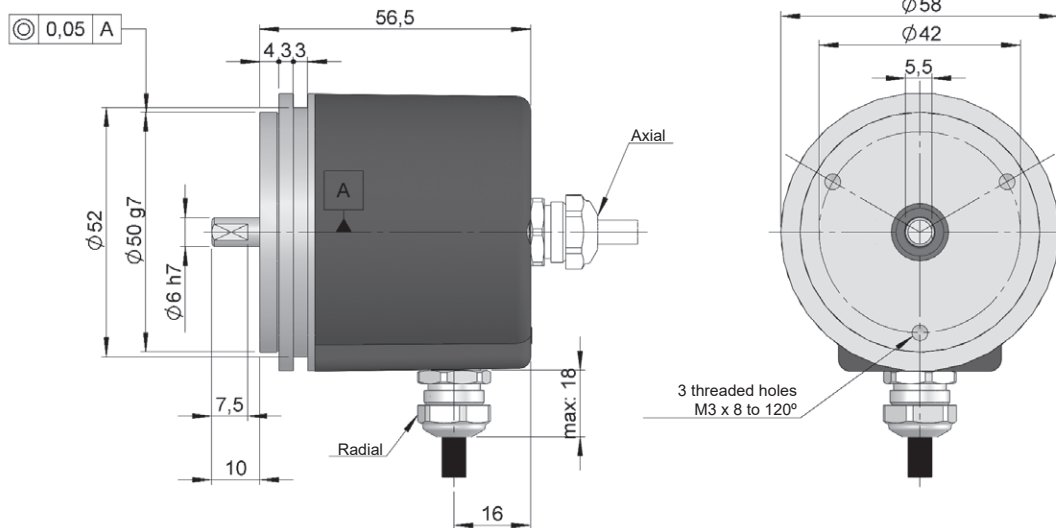
IP65



SIN/COS



Express Delivery



Drawing shaft type 1, connection type 1/2, without flange

REFERENCE

Reference example: 58S-11127-2048

| Serie | Shaft | Flange | Output signals | Connection | Power Supply / Electronic output | Pulses number | Special customer |
|-------|--------------------------|--------------------------|--|---|----------------------------------|---|---|
| 58S - | <input type="checkbox"/> | <input type="checkbox"/> | <input type="checkbox"/> | <input type="checkbox"/> | <input type="checkbox"/> - | <input type="checkbox"/> 2 <input type="checkbox"/> 0 <input type="checkbox"/> 4 <input type="checkbox"/> 8 | <input type="checkbox"/> <input type="checkbox"/> <input type="checkbox"/> <input type="checkbox"/> |
| | 1. \varnothing 6x10 mm | 1. None | 1. A \checkmark +B \checkmark +0 \checkmark 2. A \checkmark +B \checkmark | 1. Axial cable 2. Radial cable 3. Axial 90.9512 4. Radial 90.9512 5. Axial 90.9508 6. Radial 90.9508 | 7. 5 VDC / SIN-COS 1Vpp 5 VDC | | |

Order your reference
Step file 3D

info@encoderhohner.com

service available in 24 h



SERIE 58S

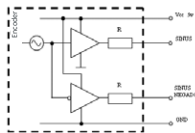
INCREMENTAL SOLID SHAFT ENCODER FOR INDUSTRIAL APPLICATIONS

SIN/COS

MECHANICAL SPECIFICATIONS

| | |
|--|---|
| Materials | Cover: Aluminium Housing: Aluminium Shaft: Stainless Steel |
| Bearings | Ballraces |
| Bearings lifetime | 1x10 ¹⁰ rev. |
| Maximum number of revolutions permitted mechanically | 6000 rpm |
| Protection against dust and splashes according to DIN EN 60529 | IP65 |
| Rotor inertia moment | 30 gcm ² |
| Starting torque at 20°C (68°F) | ≤ 0,02 Nm |
| Maximum load permitted on axial shaft | 40 N |
| Maximum load permitted on radial shaft | 60 N |
| Weight aprox. | 0,5 Kg |
| Operating temperature range | -20°C to +80°C |
| Vibration according to DIN EN 60068-2-6 | 100 m/s ² (10Hz...2000Hz) |
| Shock according to DIN EN 60068-2-27 | 1000 m/s ² (6ms) |
| Number of pulses per turn | 2.048 |
| Axial or radial connection | 2 meters cable or industrial connector M12, M23 (other cable lengths available on order) Female connector included |

OUTPUT SIGNALS



| | |
|-------------------------------|------------------------------|
| OUTPUT CIRCUIT | Sine-wave |
| Reference code | 7 |
| Power supply | 5 VDC ±10% |
| Output voltage | 5 VDC |
| Consumption | Typical: 40 mA Max: 90 mA |
| Length of cable allowed | 50 m |
| Signal type | SIN/COS, 1Vpp |
| Output signal level | 0.6 to 1.2 Vpp |
| Signal offset | 2.5 VDC |
| Reference | 0.2 to 1 VDC |
| Frequency | 200 kHz |
| Protection polarity inversion | Not permanent |

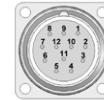
Cosine leads (90° electric) Sine, view from the shaft, shaft rotating clockwise

SERIE 58S

INCREMENTAL SOLID SHAFT ENCODER FOR INDUSTRIAL APPLICATIONS

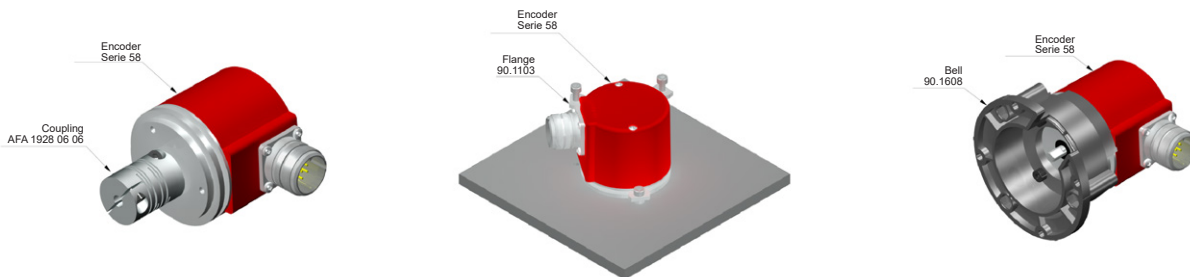
SIN/COS

CONNECTION



| | 95.0008003 Cable 3x2x0,14+2x0,34 | 90.9508 M12 8p CCW | 90.9512 M23 12p CW |
|-------------------------|--|--------------------------|--------------------------|
| GND | Black | 1 | 1 |
| Vcc | Red | 2 | 2 |
| COS | Yellow | 3 | 3 |
| SIN | Green | 4 | 4 |
| $\overline{\text{COS}}$ | Brown | 5 | 5 |
| $\overline{\text{SIN}}$ | Blue | 6 | 6 |
| 0 (reference) | Grey | 7 | 7 |
| $\tilde{0}$ | Orange | 8 | 8 |

ACCESSORIES EXAMPLES



All the accessories available in the section "MOUNTING ACCESSORIES".

CONNECTION DIMENSIONS

Female connector included

Connection 3

Axial 90.9512

Connection 4

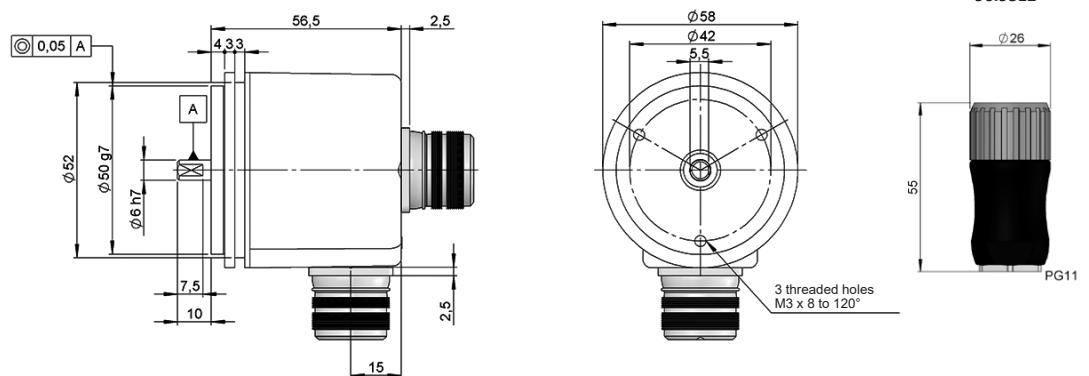
Radial 90.9512

90.9512

M23 12p

male panel

clockwise



SERIE 58S

INCREMENTAL SOLID SHAFT ENCODER FOR INDUSTRIAL APPLICATIONS

SIN/COS

Connection 5

Axial 90.9508

Connection 6

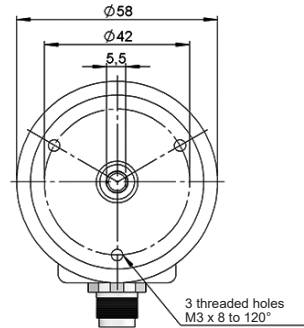
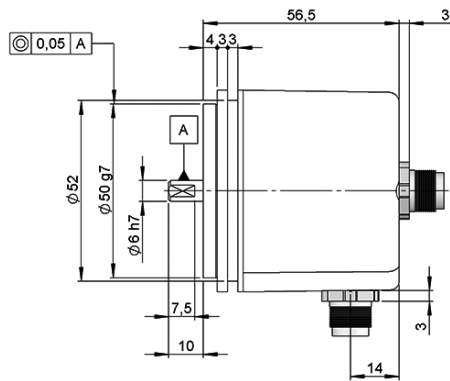
Radial 90.9508

90.9508

M12 8p

male panel

counter clockwise



90.9508

