



SERIE 59S

INCREMENTAL HOLLOW SHAFT ENCODER FOR INDUSTRIAL APPLICATIONS

 SIN/COS

- Resolution up to 2.048 pulses per turn
- Shaft fixing through front or rear clamp
- External diameter 58 mm
- Hollow shaft \varnothing 10, 12 or 14 mm
- Protection class IP65 according to DIN EN 60529
- Anti-rotation system through flexible flange, pin torque support or anti-turn stick
- Connection by cable (other cable length available) or industrial connector M12, M23
- Female connector included



Optical Encoder



Incremental Encoder



High shaft load capacity



Vibration and shock resistant



IP 65

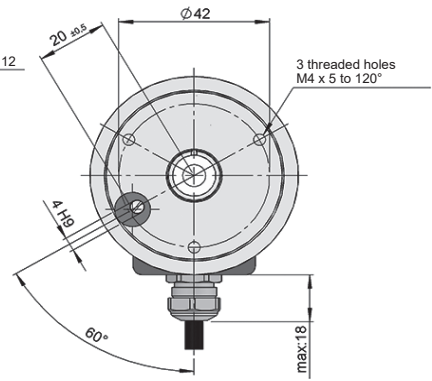
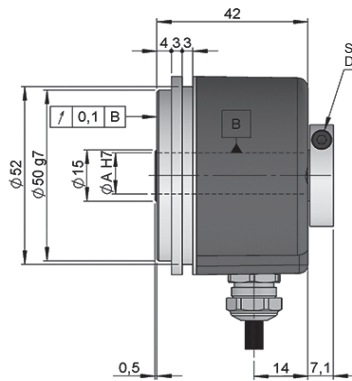
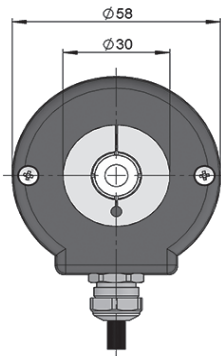


SIN/COS



Express Delivery

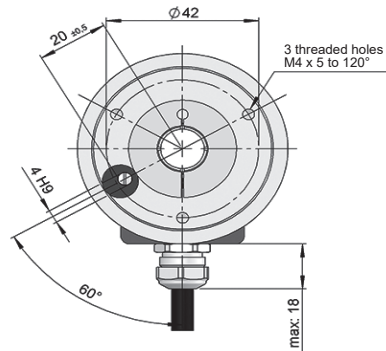
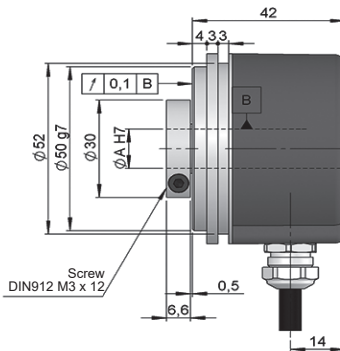
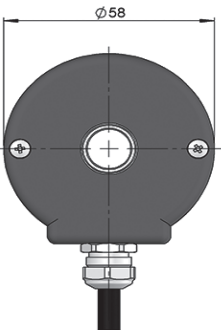
Rear clamp



HOLLOW SHAFT	$\varnothing A$
1	10 mm
2	12 mm
3	14 mm

Drawing mechanical option type 1, hollow shaft type 2, connection type 1

Frontal clamp



HOLLOW SHAFT	$\varnothing A$
1	10 mm
2	12 mm
3	14 mm

Drawing mechanical option type 2, hollow shaft type 2, connection type 1

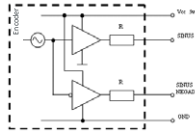


SERIE 59S

INCREMENTAL HOLLOW SHAFT ENCODER FOR INDUSTRIAL APPLICATIONS

SIN/COS

OUTPUT SIGNALS



OUTPUT CIRCUIT	Sine-wave
Reference code	7
Power supply	5 VDC ±10%
Output voltage	5 VDC
Consumption	Typical: 40 mA Max: 90 mA
Length of cable allowed	50 m
Signal type	SIN/COS, 1Vpp
Output signal level	0.6 to 1.2 Vpp
Signal offset	2.5 VDC
Reference	0.2 to 1 VDC
Frequency	200 kHz
Protection polarity inversion	Not permanent

Cosine leads (90° electric) Sine, view from the shaft, shaft rotating clockwise

CONNECTION



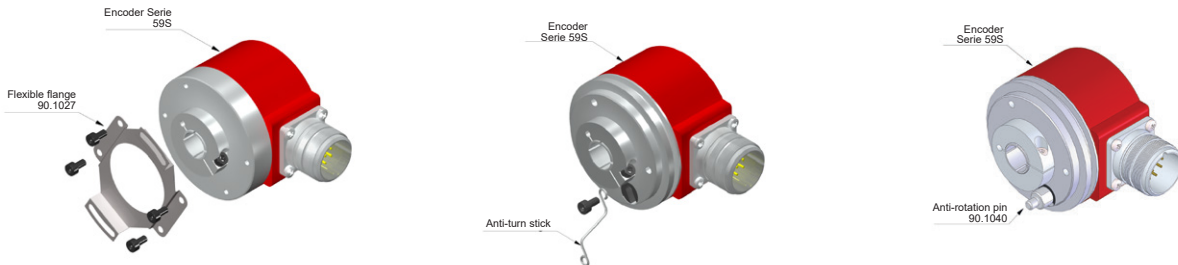
	95.0008003 Cable 3x2x0,14+2x0,34	90.9508 M12 8p CCW	90.9512 M23 12p CW
GND	Black	1	1
VCC	Red	2	2
COS	Yellow	3	3
SIN	Green	4	4
$\overline{\text{COS}}$	Brown	5	5
$\overline{\text{SIN}}$	Blue	6	6
0 (reference)	Grey	7	7
$\tilde{0}$	Orange	8	8

SERIE 59S

INCREMENTAL HOLLOW SHAFT ENCODER FOR INDUSTRIAL APPLICATIONS

SIN/COS

ACCESSORIES EXAMPLES



All the accessories available in the section "MOUNTING ACCESSORIES".

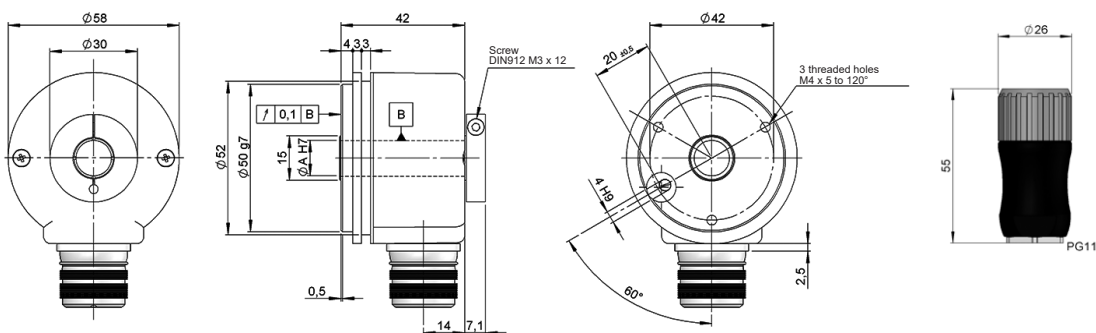
CONNECTION DIMENSIONS

Female connector included

Connection 2
Radial 90.9512

Fixation 1
Rear clamp

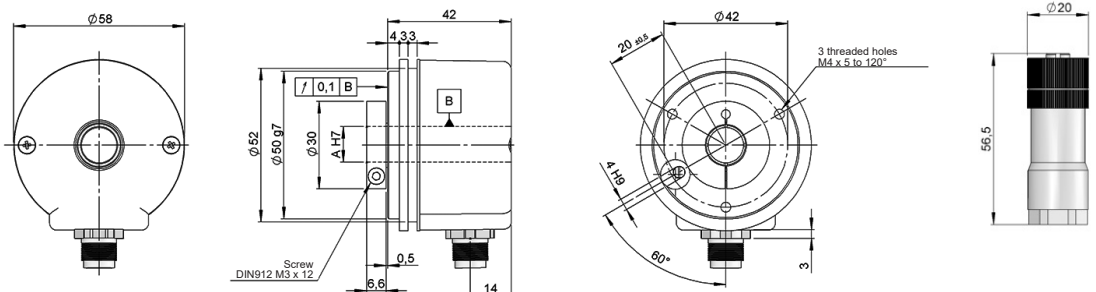
90.9512
M23 12p
male panel
clockwise



Connection 3
Radial 90.9508

Fixation 2
Frontal clamp

90.9508
M12 8p
male panel
counter clockwise



SERIE 59S

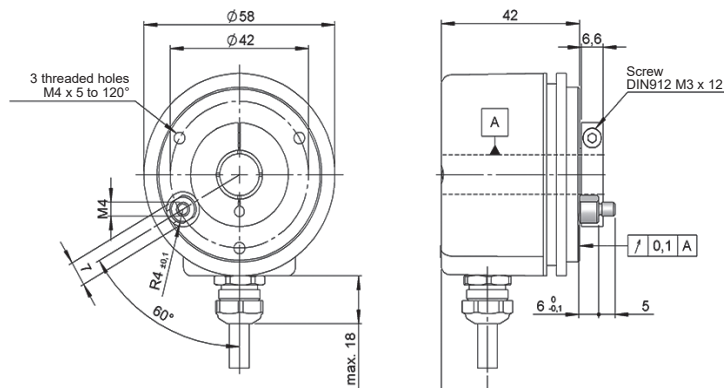
INCREMENTAL HOLLOW SHAFT ENCODER FOR INDUSTRIAL APPLICATIONS

SIN/COS

ANTI-ROTATION SYSTEMS DIMENSIONS

Anti-rotation Pin

90.1040

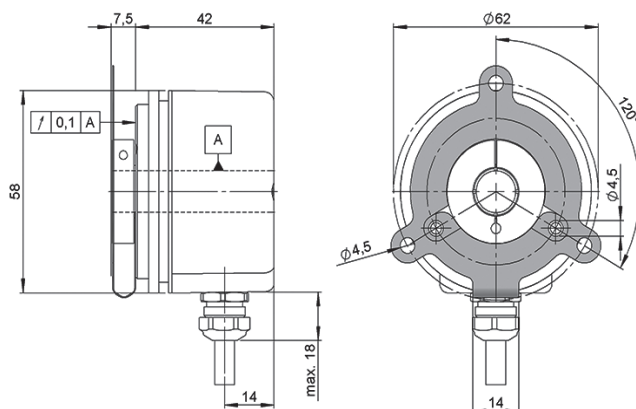


90.1040



Flexible flange

90.1014

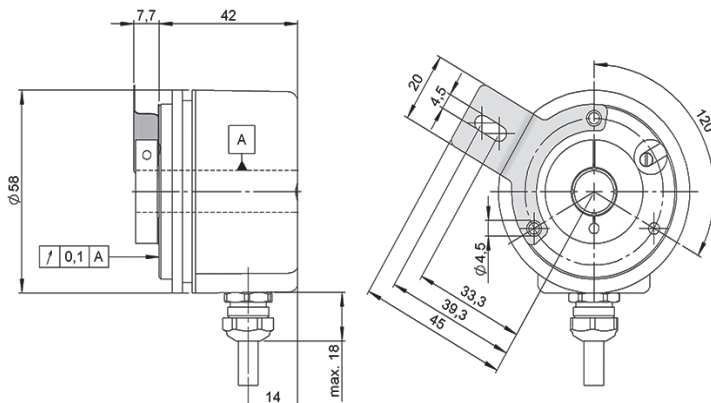


90.1014



Flexible flange

90.1018



90.1018

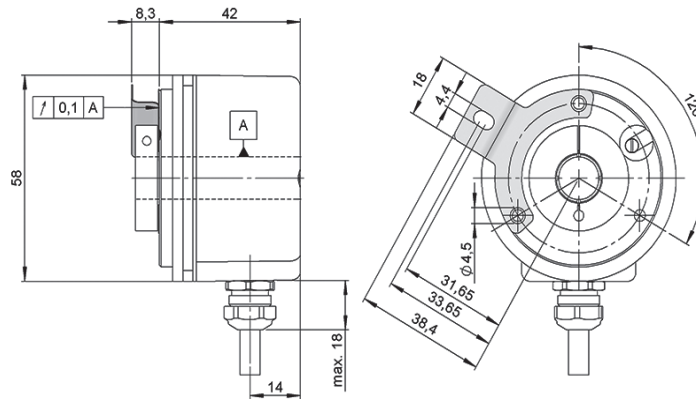


SERIE 59S

INCREMENTAL HOLLOW SHAFT ENCODER FOR INDUSTRIAL APPLICATIONS

SIN/COS

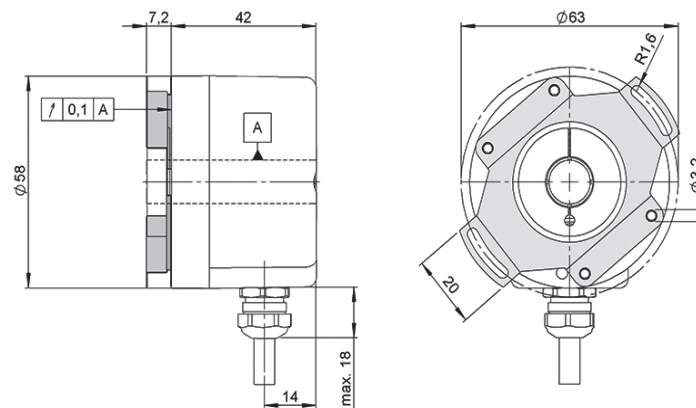
Flexible flange
90.1024



90.1024



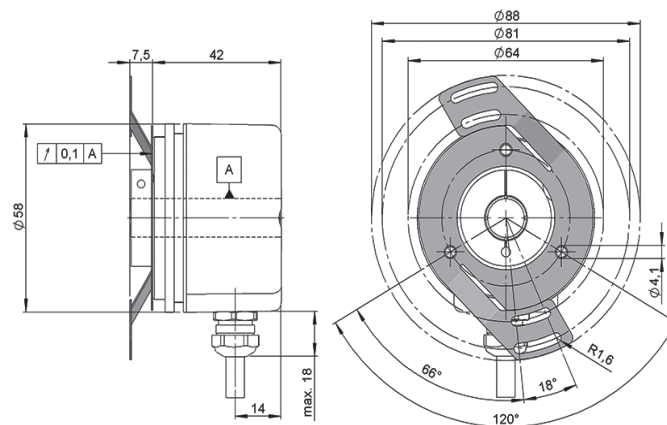
Flexible flange
90.1027



90.1027



Flexible flange
90.1075



90.1075

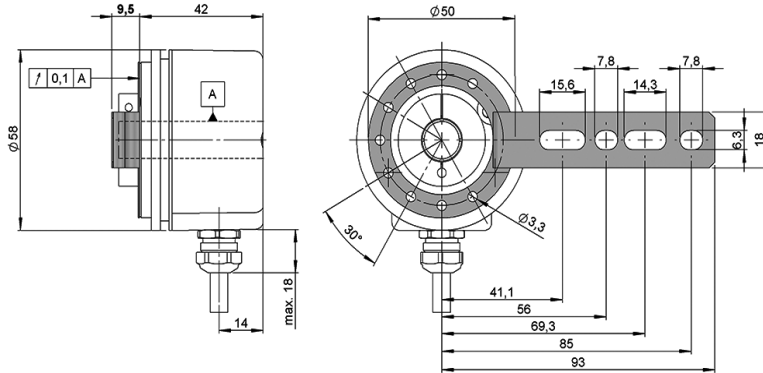


SERIE 59S

INCREMENTAL HOLLOW SHAFT ENCODER FOR INDUSTRIAL APPLICATIONS

SIN/COS

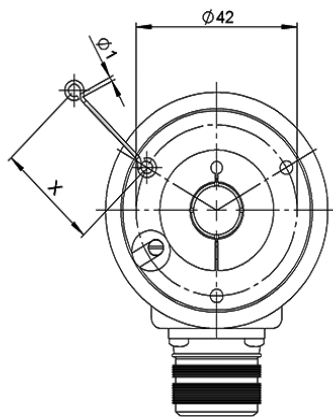
Flexible flange
90.1095



90.1095



Anti-turn stick



90.1033	X= 33 mm
90.1044	X= 83 mm
90.1043	X= 132 mm

(*) other lenght available on order