

MAIN FEATURES

ø 36 encoder series is recommended for AC servomotor feedback. It is a 6 channels encoder: 3 for incremental signals and 3 for commutation (Hall) signals.

- Interchangeable with size 15 Resolver
- Easy mounting
- Small dimensions
- Several resolutions available



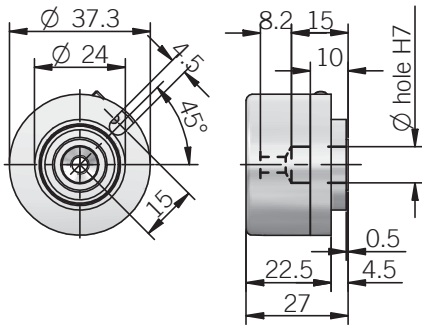
APPROVED

ORDERING CODE

	EF	36	K	4	L	512	Z	5	L	8	X	3	PR	.	XXX	
SERIES	incremental encoder with Hall phases EF														VARIANT	XXX custom version
SIZE	mm 36														OUTPUT TYPE	PR radial cable output (standard length 0.3 m)
TYPE	blind hollow shaft with rear fixing K														MAX ROTATION SPEED	6 6000 rpm
MOTOR POLES	4 poles 4 6 poles 6 8 poles 8														ENCLOSURE RATING	X IP 40
ELECTRONIC INTERFACE FOR COMMUTATION SIGNALS	NPN open collector C line driver L														BORE DIAMETER	8 ø 8 mm 9 ø 9,52 mm (3/8") 10 ø 10 mm
RESOLUTION	ppr from 1 to 2048														ELECTRONIC INTERFACE FOR INCREMENTAL SIGNALS	L line driver
ZERO PULSE	without zero pulse S with zero pulse Z														POWER SUPPLY	5 5 V DC

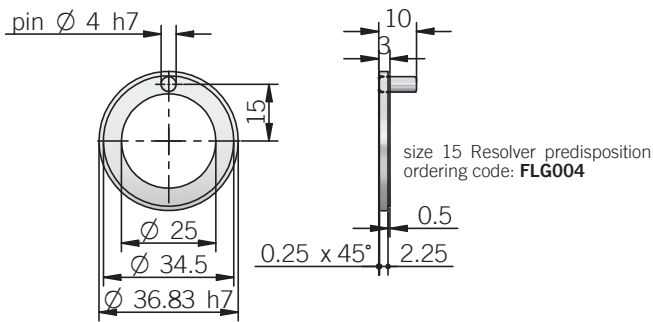
N.B.: please directly contact our offices for pulses availability

EF 36 K



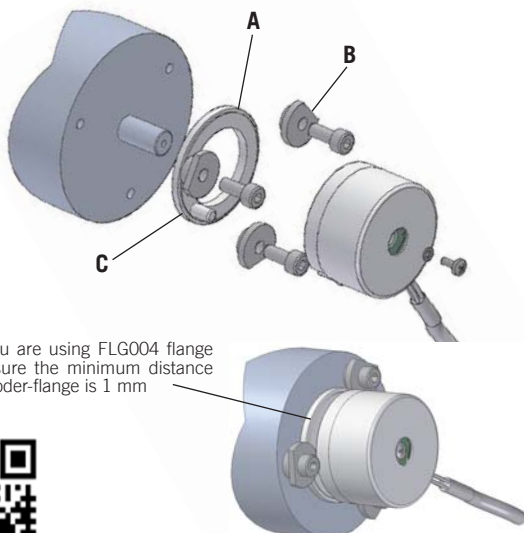
ACCESSORIES

Flanges for motor fixing



HOW TO MOUNT IT

- Insert flange (A) on the motor.
- Tighten the appropriate servo-fasteners (B) without blocking them.
- Insert encoder on motor shaft (misalignment recovery system must correspond to peg (C)).
- Block the encoder on motor shaft by proper screw.
- Turn for phasing.
- Finally, fix servo-fasteners (B).
- Verify the right working of the misalignment recovery system.



if you are using FLG004 flange be sure the minimum distance encoder-flange is 1 mm



Electrical specifications

Resolution	from 1 to 2048 ppr
Power supply	5 V DC $\pm 10\%$
Current consumption without load	150 mA max
Max load current	15 mA for channel (line driver) 30 mA for channel
Output type for incremental signals	line driver
Output type for Hall phases	NPN open collector line driver
Max output frequency	150 kHz
Counting direction	A leads B clockwise (shaft view)
Electromagnetic compatibility	IEC 61000-6-1 IEC 61000-6-3

Mechanical specifications

Shaft diameter	8 / 9,52 (3/8") / 10 mm
Enclosure rating	IP 40 (IEC 60529)
Max rotation speed	6000 rpm
Shock	50 G, 11 ms (IEC 60068-2-27)
Vibration	5 G, 10 ... 500 Hz (IEC 60068-2-6)
Bearings	2 ball bearings
Bearings life	10 ⁹ revolutions
Body material	aluminum EN-AW 2011
Shaft material	1.4305 / AISI 303 stainless steel
Housing material	aluminum EN-AW 2011
Operating temperature	-10° ... +85 °C
Storage temperature	-25° ... +85 °C
Weight	50 g
Accessories	flange for mounting on motors (size 15 Resolver type)

Connections and standard colours

Function	14 core wire
+V DC	red
0 V	black
Ch. A	green
Ch. B	yellow
Ch. Z	blue
Ch. A-	brown
Ch. B-	orange
Ch. Z-	white
Ch. U	gray
Ch. V	violet
Ch. W	gray-pink
Ch. U-	red-blue
Ch. V-	white-green
Ch. W-	brown-green
⊕	shield