

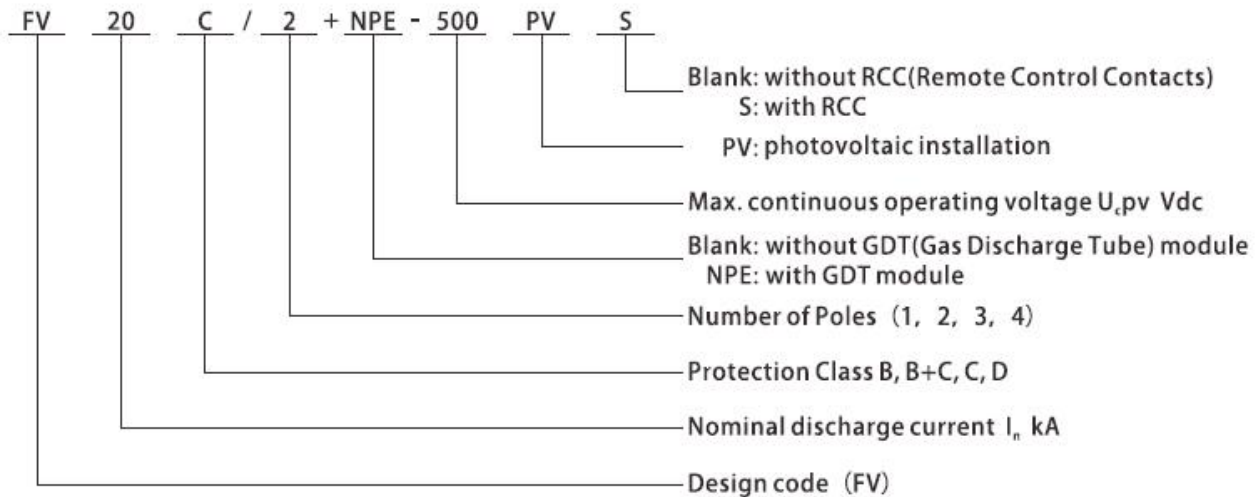
DC Surge protective device for PV system
Model No.: FV20C/3-1000PVS

Version: B-3

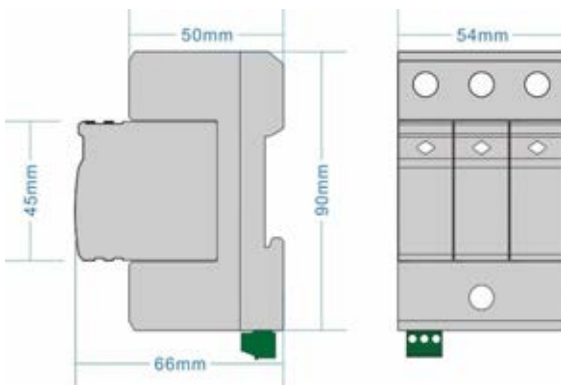


- **DC surge Protective device** specially used for photovoltaic system less than 1000Vdc.
- The core parts are metal oxide varistor components with high discharge capacity.
- With reliable control thanks to Thermo Dynamic Control disconnecter.
- Without remote signaling contact for control device.
- Fault indication via red mark in the inspection window.

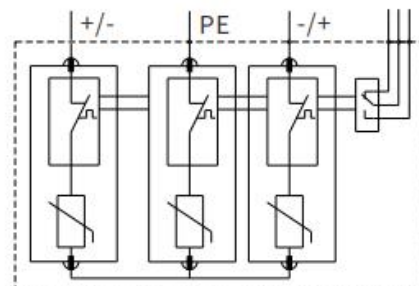
1. Coding



2. Dimension



3. Circuit



FATECH ELECTRONIC (FOSHAN) CO., LTD.

Add: Bldg D7, Guangdong New Light Production Base, Luocun, Shishan Town, Nanhai District, Foshan City, Guangdong China.

Tel: +86 757 86718031 Fax: +86 757 83557686

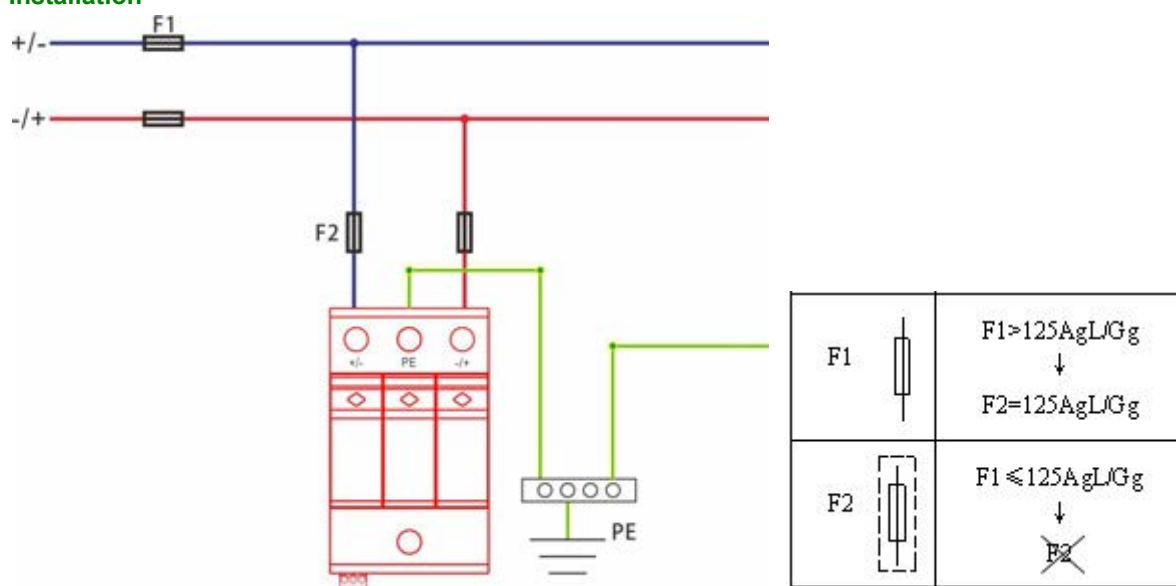
Web: www.fatech-surge-protection.com, www.fatech-spd.cn

Email: sales@fatech-surge-protection.com, sales@fatech-spd.cn

4. Electrical parameters

Model No.	FV20C/3-1000PVS	
Test class according to EN50539:11	II	
Test class according to IEC/EN61643-31 2018	II	
Nominal Voltage	UN	1000V DC
Max.continuous d.c. voltage[+/-->PE]/ [+>-]	$U_{c\,pv}$	1200V DC
Maximum discharge current (8/20 μ s)	I_{max}	40kA
Nominal discharge current (8/20 μ s)	I_n	20kA
Voltage protective level at I_n	U_p	3.6kV
Isolation resistance	R_{isol}	$>10^2 M\Omega$
Response time	t_A	$\leq 25ns$
Rated short-circuit current	I_{scpv}	200A
Recommended back-up fuse	125AgL/Gg	
I/O Connections	By screw terminal:10-35mm ² By connection bus	
Mounting	Symmetrical rail (EN50022/DIN46277-3)	
Operation temperature range	-40°C~+85°C	
Degree of protection	IP20	
Housing material	UL94V0	
Disconnection indicator	Mechanical indicator(Red: Replace)	
Remote control contact	For your option	
Color	Gray	
I/O Connections	By screw terminal:10-35mm ² By connection bus	
Mounting	Symmetrical rail (EN50022/DIN46277-3)	

5. Installation



FATECH ELECTRONIC (FOSHAN) CO., LTD.

Add: Bldg D7, Guangdong New Light Production Base, Luocun, Shishan Town, Nanhai District, Foshan City, Guangdong China.

Tel: +86 757 86718031 Fax: +86 757 83557686

Web: www.fatech-surge-protection.com, www.fatech-spd.cn

Email: sales@fatech-surge-protection.com, sales@fatech-spd.cn