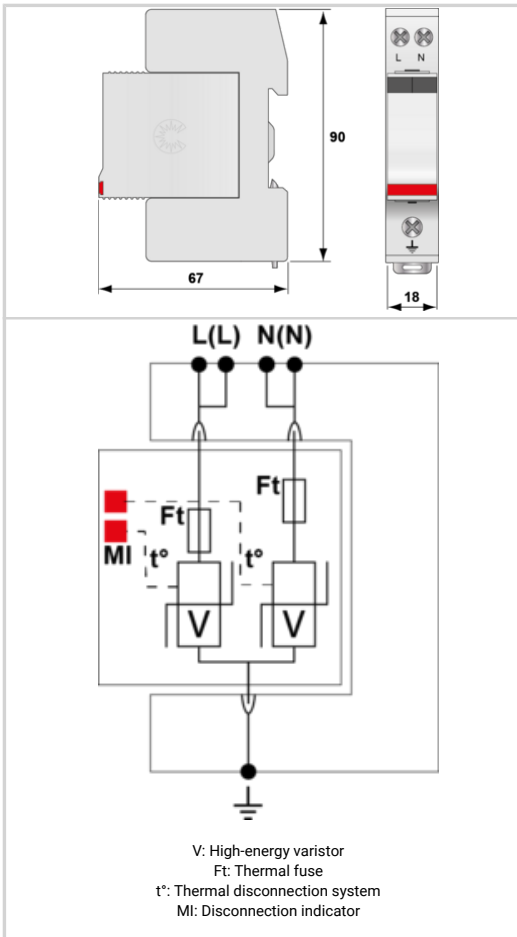


DS240-320



- Compact single-phase Type 2 surge protector
- I_n : 20 kA
- I_{max} : 40 kA
- Common mode
- Pluggable module
- Remote signaling option
- EN 61643-11, IEC 61643-11 compliance
- UL1449 ed.5



Electrical Characteristics	
SPD type	2
Network	230 V single-phase
AC system	TN
Nominal line voltage	U_n 230 Vac
Max. AC operating voltage	U_c 320 Vac
Max. load current if series connection	I_L 20 A
Temporary Over Voltage (TOV) Characteristics - 5 sec. Without disconnection	UT 335 Vac withstand
Temporary Over Voltage (TOV) Characteristics - 120 mn Without disconnection or with safety disconnection	UT 440 Vac withstand
Residual Current Leakage current to Ground	I_{pe} < 0.5 mA
Follow current	I_f None
Nominal discharge current 15 x 8/20 μ s impulses	I_n 20 kA
Max. discharge current max. withstand @ 8/20 μ s by pole	I_{max} 40 kA
Total Maximum discharge current max. total withstand @ 8/20 μ s	I_{max} Total 80 kA
Connection mode(s)	L/PE and N/PE
Protection mode(s)	Common mode/Differential mode
Residual voltage at 5 kA @ 5 kA (8/20 μ s)	U_{p-5kA} 1 kV
Protection level CM/DM @ I_n (8/20 μ s)	$U_{p\ mc /md}$ 1.5 kV
Admissible short-circuit current	I_{scrr} 10 000 A
Mechanical Characteristics	
Technology	MOV
SPD configuration	Single phase
Connection to Network	By screw terminals: 1.5-10mm ² (L/N) or 2.5-25mm ² (PE)
Format	Plug-in modular box
Mounting	Symmetrical rail 35 mm (EN 60715)
Housing material	Thermoplastic UL94 V-0
Operating temperature	T_u -40/+85°C
Protection rating	IP20
Failsafe mode	Disconnection from AC network
Disconnection indicator	2 mechanical indicators
Spare module(s)	DSM240-320
Remote signaling of disconnection	Option DS240S-320 : output on changeover contact
Dimensions	See diagram
Weight	0.131 kg
Disconnectors	
Thermal disconnector	Internal
Installation ground fault breaker	Type 'S' or delayed
Back-up protection device	50 A min. - 125 A max. - Fuses Type gG
Standards	
Standards compliance	IEC 61643-11 / EN 61643-11 / UL1449 ed.5
Certification	UL Recognized
Part number	
311901	