
Cordless NF 100 battery connector
Request an offer

Are you interested in this product? Do you need additional information or individual pricing?

Contact us

☎ **227035225**

✉ **pzl_i@dacpol.eu**

Product information
Battery connector NF 100
Characteristics:

- Voltage: 150V DC max
- Amperage: 100A
- Temperature range: -20°C / +90°C
- Housing: acidproof plastic
- Contacts: copper alloy, silver plated, (to crimp or to solder)
- Amperage of auxiliary contact: 20 A
- Section of auxiliary contact: 2,5 mm² i 4 mm²
- Watertightness: IP23
- Normes: NF EN 1175-1 and DIN VDE 0623-589

Complete connectors:

	Ref.	Description	Section	
			mm ²	AWG
Connector	169120	Male	16	6
	169121	Male	25	4
	169122	Male	35	2
Connector	169123	Female	16	6
	169124	Female	25	4
	169125	Female	35	2
Auxiliary contacts	169126	Male - 20 A	2.5	14
	169127	Female - 20 A	2.5	14
Air contacts	169144	Male	-	-
	169145	Female	-	-
Handle	169128-R	Red color	-	-

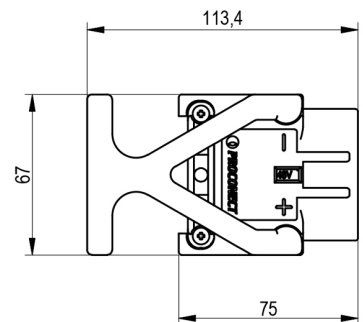
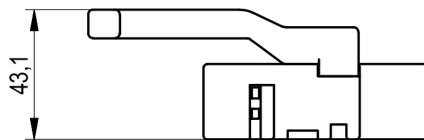
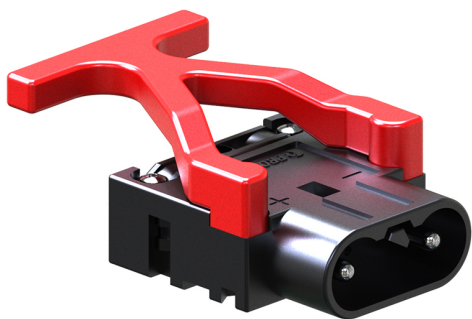
Spare parts:

	Ref.	Description	Section
--	------	-------------	---------

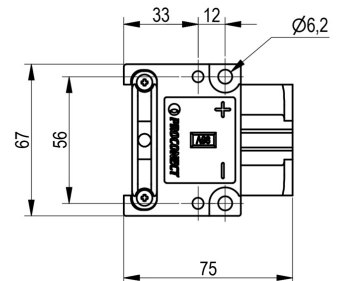
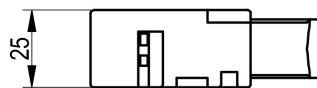
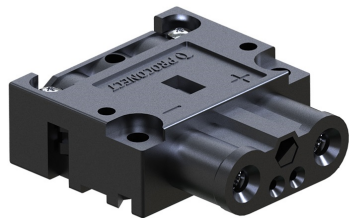


			mm2	AWG
Contact	169138	Male	16	6
	169140	Male	25	4
	169142	Male	35	2
Contact	169139	Female	16	6
	169141	Female	25	4
	169143	Female	35	2
Housing	169136	Male	-	
	169137	Female		
Voltage coding key	169088	Black color wet battery	-	
	169089	Grey color gel battery		

NF 100 Male



NF 100 Female



NF 100 Connector

